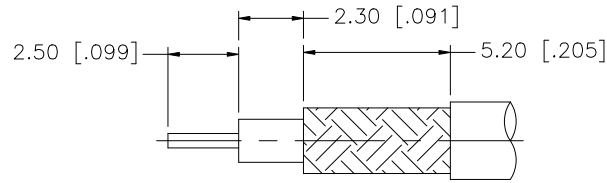
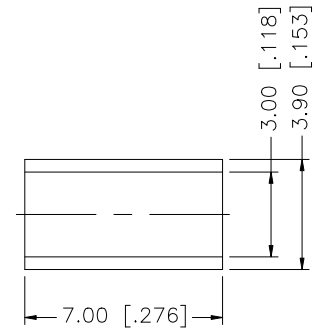
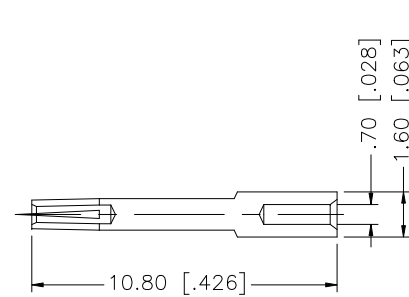
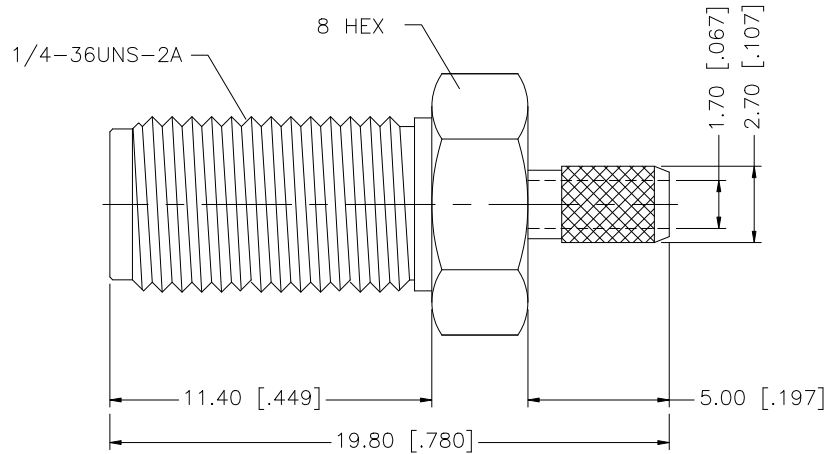


REV.	DATE	DESCRIPTION
A	01/20/04	UPDATE DRAWING FORMAT
B	09/03/07	REVISE BARREL, FERRULE O.D. DIMENSIONS



RECOMMENDED
CABLE STRIPPING DIM'S



NOTE:

1. CRIMPED FERRULE
HEX. CRIMP SIZE .128"
2. CONTACT PIN TO SOLDER.

REV.	DESCRIPTION	MATERIAL	FINISH	QTY	APPROVALS	DATE	Amphenol Connex			
8							SMA CRIMP JACK (FOR RG-174/U, 188A/U, 316/U CABLE)			
7										
6										
5										
4	FERRULE	COPPER	GOLD	1						
3	CONTACT PIN	BER. COPPER	GOLD	1			PART DESCRIPTION			
2	INSULATOR	TEFLON	NATURAL	1			PART NO.			
1	BODY	BRASS	GOLD	1			132117			
<small>UNLESS OTHERWISE SPECIFIED DIMENSIONS ARE IN MILLIMETERS. DIMENSIONS IN [] ARE IN INCHES AND FOR CUSTOMER REFERENCE ONLY.</small> <small>UNLESS OTHERWISE SPECIFIED TOLERANCES FOR MILLIMETERS ARE: 0.5 - 8mm ± 0.20mm 8 - 30mm ± 0.40mm 30 - 120mm ± 0.50mm</small> <small>UNLESS OTHERWISE SPECIFIED TOLERANCES FOR INCHES ARE: .020 - .315 = ± 0.007" .315 - 1.180 = ± 0.015" 1.180 - 4.724 = ± 0.020"</small>					CAD FILE C:/132/132117.DWG		DWG. NO. 132117.DWG			
DO NOT SCALE DRAWING							REV. B	SIZE A	SCALE NA	

Mouser Electronics

Authorized Distributor

Click to View Pricing, Inventory, Delivery & Lifecycle Information:

[Amphenol:](#)

[132117](#)