

VS-PPC-F2-PC-POBK - Protective cap



1405329

<https://www.phoenixcontact.com/us/products/1405329>

Please be informed that the data shown in this PDF document is generated from our Online Catalog. Please find the complete data in the user documentation. Our General Terms of Use for Downloads are valid.



Protective cap, IP65, with push-pull locking for covering the contact insert in the push-pull connector for Power, plastic

Product Description

Protective cap for Push-Pull connector, Power

Commercial Data

Item number	1405329
Packing unit	1 pc
Minimum order quantity	1 pc
Sales Key	AB12
Product Key	ABNOJZ
Catalog Page	Page 364 (C-2-2019)
GTIN	4046356420426
Weight per Piece (including packing)	7.6 g
Weight per Piece (excluding packing)	7.4 g
Customs tariff number	39269097
Country of origin	DE

VS-PPC-F2-PC-POBK - Protective cap

1405329

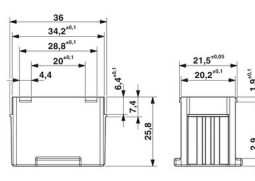
<https://www.phoenixcontact.com/us/products/1405329>

Technical Data

Product properties

Product type	Protective cover
Locking type	Push Pull

Dimensions

Dimensional drawing	
Width	36 mm
Height	25.2 mm
Length	25.8 mm

Material specifications

Material	Plastic
----------	---------

Environmental and real-life conditions

Ambient conditions

Degree of protection	IP65
Ambient temperature (operation)	-40 °C ... 70 °C

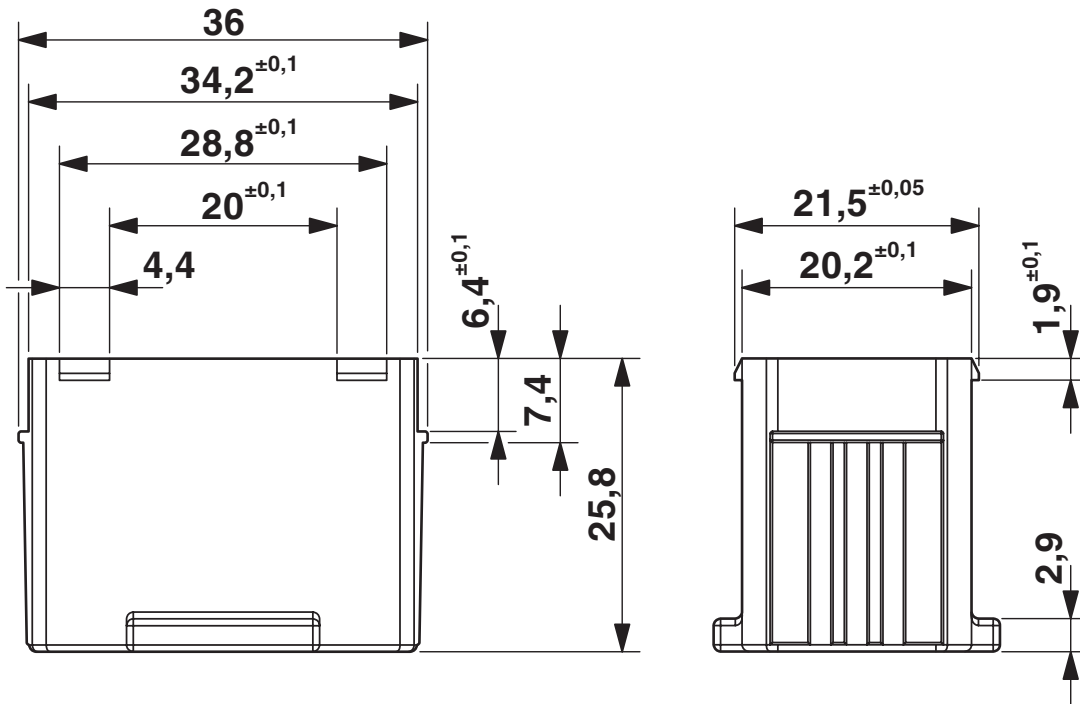
VS-PPC-F2-PC-POBK - Protective cap

1405329

<https://www.phoenixcontact.com/us/products/1405329>

Drawings

Dimensional drawing



VS-PPC-F2-PC-POBK - Protective cap



1405329

<https://www.phoenixcontact.com/us/products/1405329>

Approvals

To download certificates, visit the product detail page: <https://www.phoenixcontact.com/us/products/1405329>



EAC

Approval ID: B.01687

VS-PPC-F2-PC-POBK - Protective cap



1405329

<https://www.phoenixcontact.com/us/products/1405329>

Classifications

ECLASS

ECLASS-11.0	27440208
ECLASS-12.0	27440208
ECLASS-13.0	27440208

ETIM

ETIM 8.0	EC002314
----------	----------

UNSPSC

UNSPSC 21.0	39121400
-------------	----------

VS-PPC-F2-PC-POBK - Protective cap



1405329

<https://www.phoenixcontact.com/us/products/1405329>

Environmental Product Compliance

China RoHS	Environmentally friendly use period: unlimited = EFUP-e No hazardous substances above threshold values
------------	---

Phoenix Contact 2023 © - all rights reserved
<https://www.phoenixcontact.com>

Phoenix Contact USA
586 Fulling Mill Road
Middletown, PA 17057, United States
(+717) 944-1300
info@phoenixcon.com