

Sensitivity Wavelength Range: 600nm ~ 1750nm

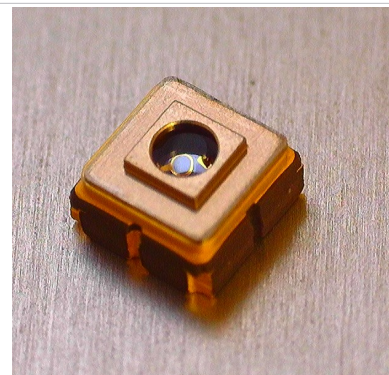
The 1346 series from Marktech, a high sensitivity and high reliability product series, is ideally suited for Optical Communication devices. Custom packaging options for this die are also available.

FEATURES

- > High Speed Response (Max: 2Gbps)
- > Seam Welded Surface Mount Package
- > Active Area of 0.3mm / High Sensitivity
- > Spectral Range: 600nm - 1750nm
- > Hermetically Sealed

APPLICATIONS

- > High Speed Optical Communications
- > Industrial Controls
- > Optical Switches
- > LIDAR
- > Medical

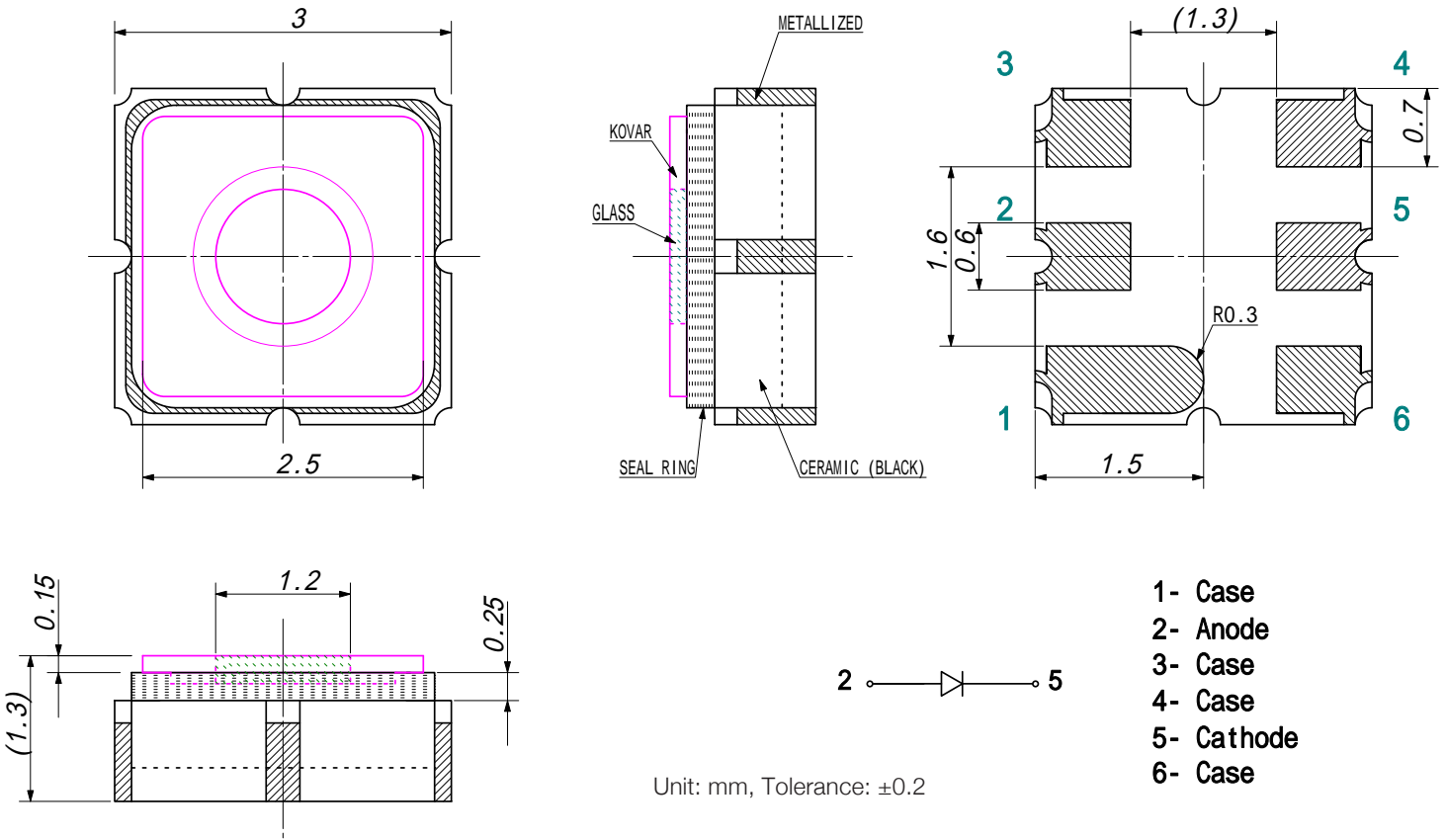


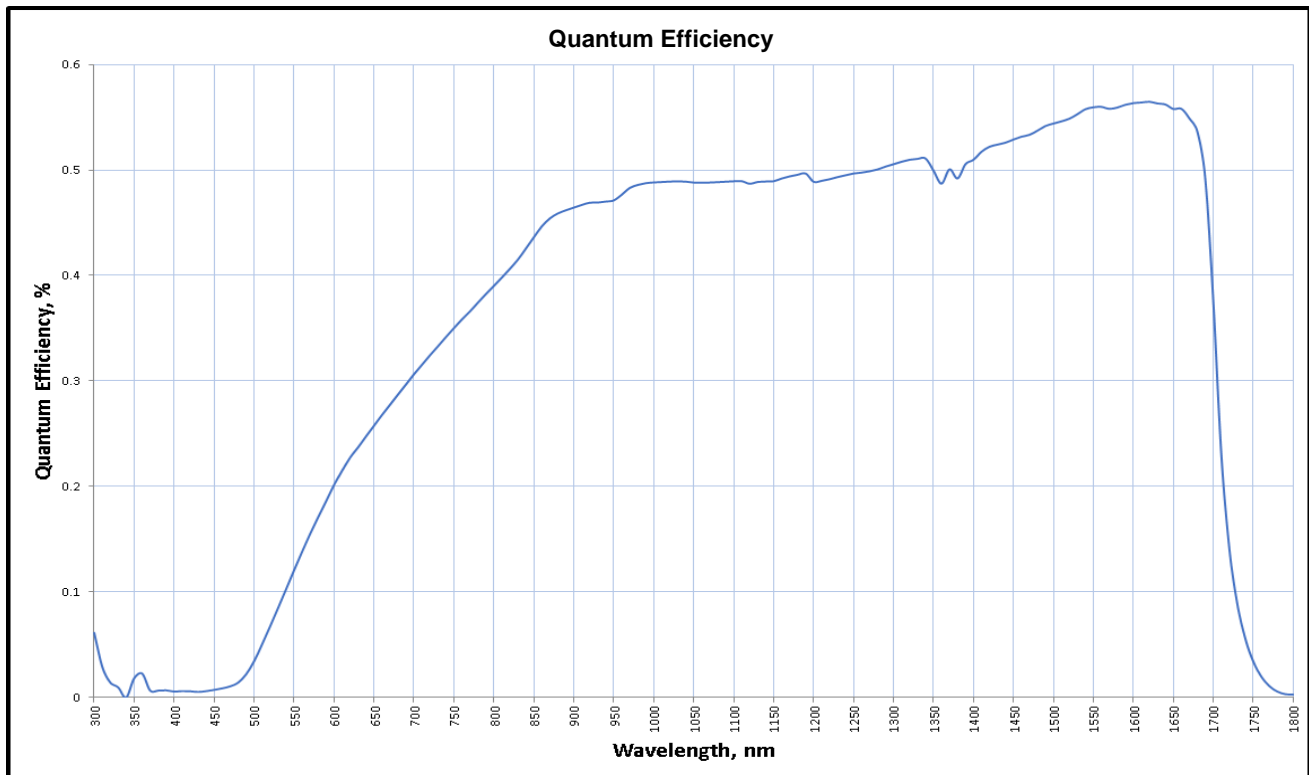
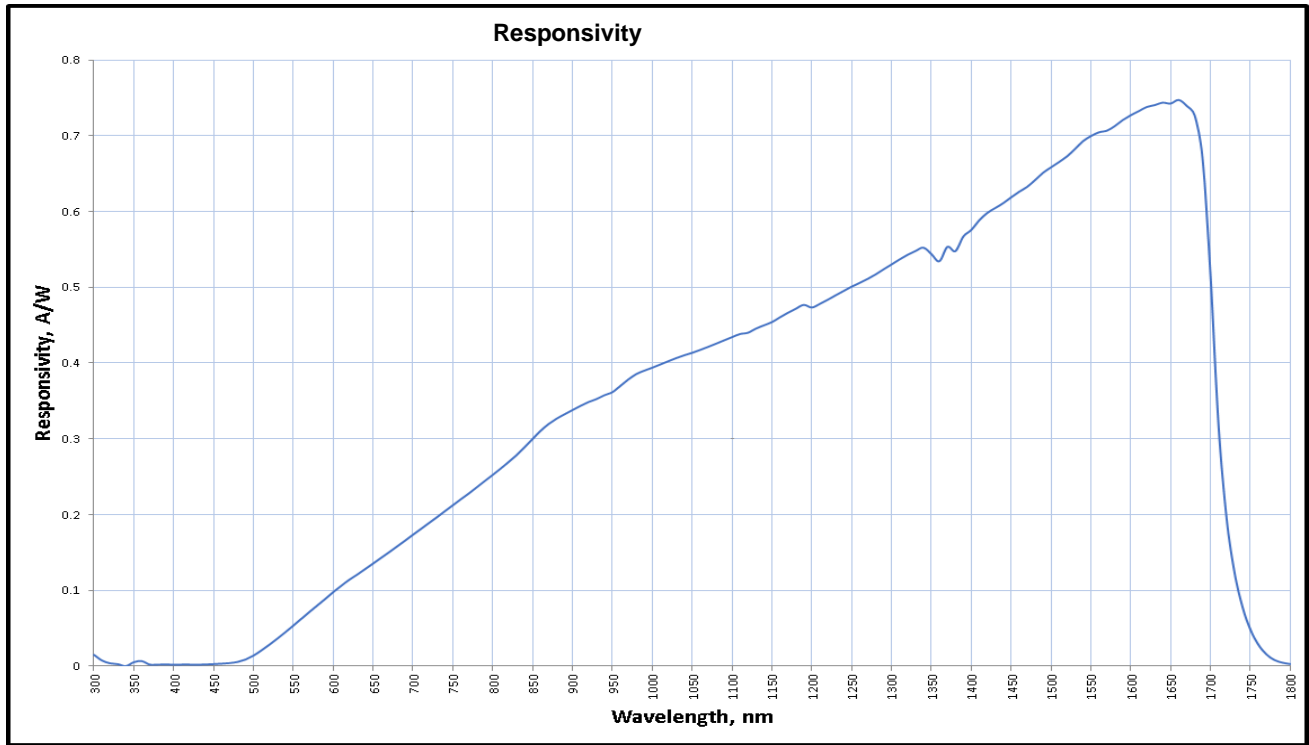
Absolute Maximum Ratings (Ta=25°C)

ITEMS	SYMBOL	RATINGS	UNIT
Active Area	Φ	0.3	mm
Operating Temperature Range	T _{opr}	-40 to +85	°C
Storage Temperature Range	T _{stg}	-40 to +125	°C

Electrical & Optical Characteristics (Ta = 25°C)

ITEMS	SYMBOL	CONDITIONS	MIN	TYP	MAX	UNIT
Breakdown Voltage	VR	IR=10uA	--	--	3	V
Sensitivity Range	λ	VR=0V	600	--	1750	nm
Dark Current	ID	VR=0V	--	0.025	--	nA
Dark Current	ID	VR=1V	--	16	--	nA
Junction Capacitance	C	VR=0V	--	12	--	pF
Junction Capacitance	C	VR=1V	--	10	--	pF
Responsivity	R	λ =1650nm	--	0.74	--	A/W
Quantum Efficiency	QE	λ =1660nm	--	55	--	%
Shunt Resistance	RSH	VR=10mV	--	12	--	M Ω
Light Current @ λ =1300nm	IL	If=10mA	--	35	--	μ A
Light Current @ λ =1300nm	IL	If=20mA	--	65	--	μ A





The information contained herein is subject to change without notice.

2022-12-08

