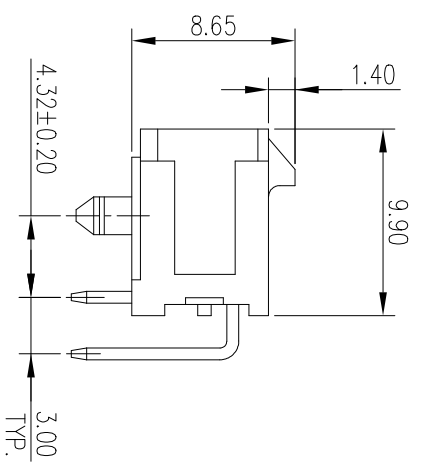
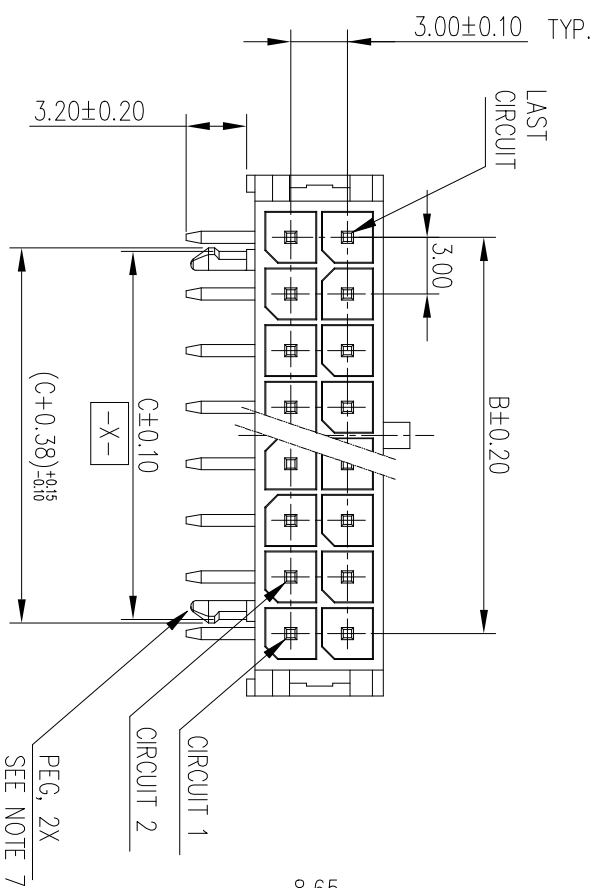
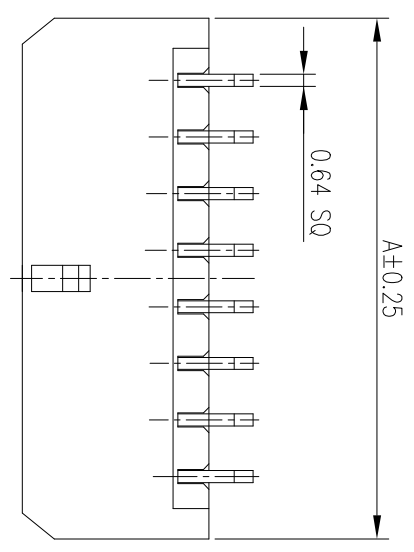


PRODUCT NUMBER  
SEE P/N TABLE



- NOTE:
- MATERIAL: HIGH TEMP. THERMOPLASTIC UL94V-0, HOUSING: BLACK
  - CONTACT: COPPER ALLOY, CONTACT FINISH: 50u" MIN. NICKEL UNDERPLATED. OPTIONAL PLATING ON CONTACT AREA.
  - THIS PLUG MATES WITH FCI RECEPTACLE WIRE CONNECTOR 10127716.
  - PRODUCT SPECIFICATION: GS-12-1177
  - PACKAGE SPECIFICATION: GS-14-2359.
  - THE HOUSING WILL WITHSTAND EXPOSURE TO 260°C PEAK TEMPERATURE 10 SECONDS IN A REFLOW OVEN.
  - PART NUMBER SCHEME:  
10127720-XX X X X X X LF
- POS. CODE: POS. CODE:  
02: 2 POS  
04: 4 POS  
24: 24 POS
- PLATING CODE: PLATING CODE:  
1: 100u" TIN  
2: GOLD FLASH  
3: 15u" Au  
4: 30u" Au
- OPTIONAL PACKAGES:  
BLANK: TRAY  
R: TAPE AND REEL
- OPTIONAL PEGS:  
N: NO PEG, ONLY FOR 4 & 8 & 10 POS.  
G: COMPATIBLE
- GLOW WIRE COMPATIBLE:  
BLANK: NON-COMPATIBLE  
G: COMPATIBLE

8. P/N & DIMENSION TABLE:

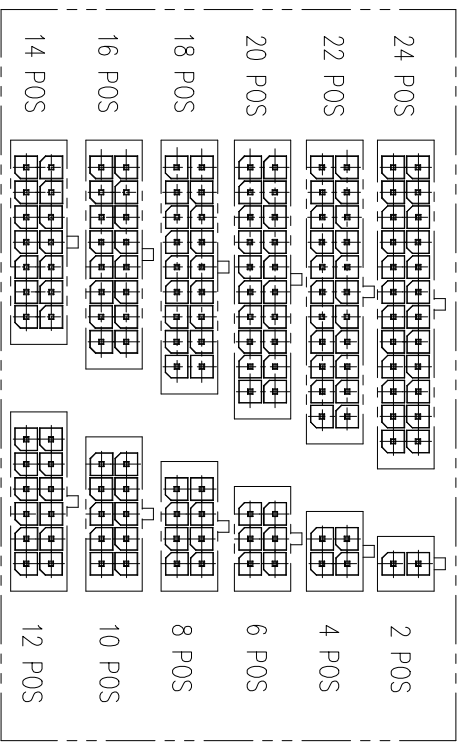
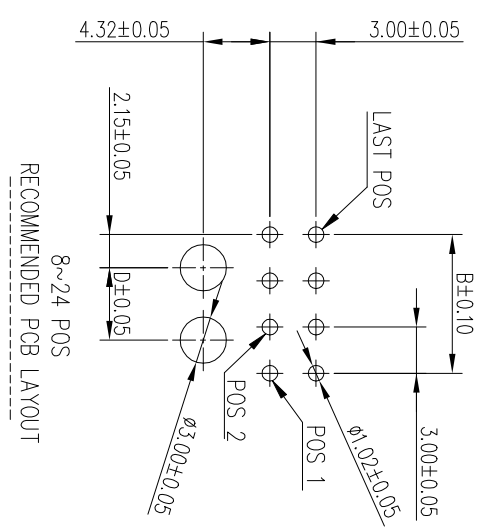
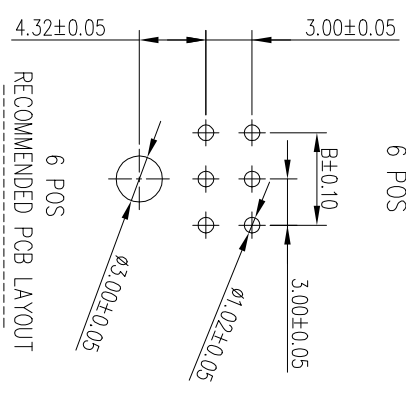
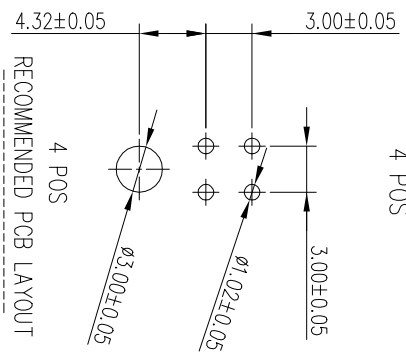
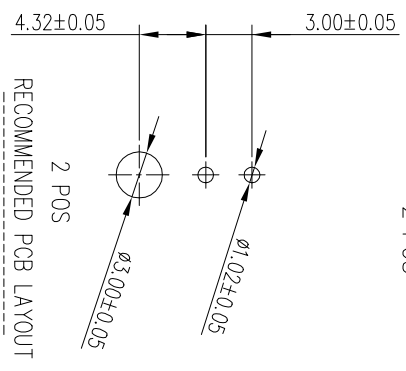
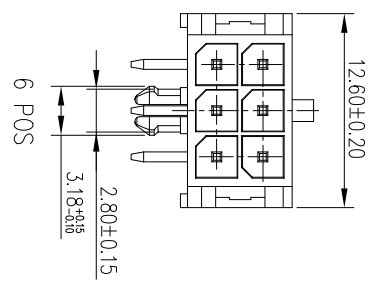
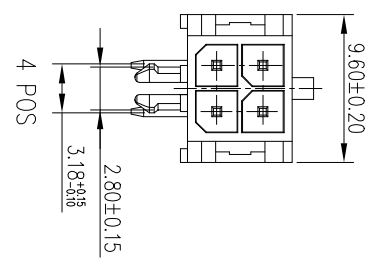
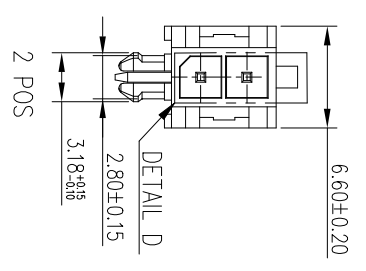
PART NO.	POS	A	B	C	D
10127720-02XXXXLF	2	6.60	--	2.80	--
10127720-04XXXXLF	4	9.60	3.00	2.80	--
10127720-06XXXXLF	6	12.60	6.00	2.80	--
10127720-08XXXXLF	8	15.60	9.00	7.50	4.70
10127720-10XXXXLF	10	18.60	12.00	10.50	7.70
10127720-12XXXXLF	12	21.60	15.00	13.50	10.70
10127720-14XXXXLF	14	24.60	18.00	16.50	13.70
10127720-16XXXXLF	16	27.60	21.00	19.50	16.70
10127720-18XXXXLF	18	30.60	24.00	22.50	19.70
10127720-20XXXXLF	20	33.60	27.00	25.50	22.70
10127720-22XXXXLF	22	36.60	30.00	28.50	25.70
10127720-24XXXXLF	24	39.60	33.00	31.50	28.70

mat'l. code	surface	tolerance	projection	product family
lit	ecm no	dr	date	tolerances unless otherwise specified
A	ELX-T-1784	TAI	2013-10-21	angles
B	ELX-T-1784	TAI	2014-03-12	0
C	ELX-T-19251	TAI	2014-10-31	XXX ±0.20
D	ELX-T-23045	TAI	2016-01-15	X±.2"
E	ELX-T-24032	TAI	2016-05-05	engr
F	ELX-T-25278	TAI	2016-11-04	chr
G	ELX-N-27442	TONY	2017-07-11	appd
sheet index	revision	G	G	PM ZHENG
sheet	sheet	1	2	2013-10-21



MINITEK PWR3.0 WTB HEADER  
DUAL ROW, R/A DIP TYPE

sheet 1 of 2 size  
10127720  
CUSTOMER Drawing



mat'l. code	surface	tolerance	projection	product family
ltr	ecm no	dr	date	tolerances unless otherwise specified
angles	$\pm 0.5$	$\pm 0.3$	$\pm 0.20$	$\pm 0.10$
$X \pm 2^\circ$				
dr	KENNY TAI	2013-10-21		
engr	KENNY TAI	2013-10-21		
chr	KENNY TAI	2013-10-21		
appd	PM ZHENG	2013-11-06		
sheet index	revision	G	G	
1	1			
	2			
				3
				4



product family  
MINITEK PWR3.0

title  
MINITEK PWR3.0 WTB HEADER  
DUAL ROW, R/A DIP TYPE

scale  
MM

dwg no  
10127720

sheet 2 of 2 size  
A4

CUSTOMER Drawing