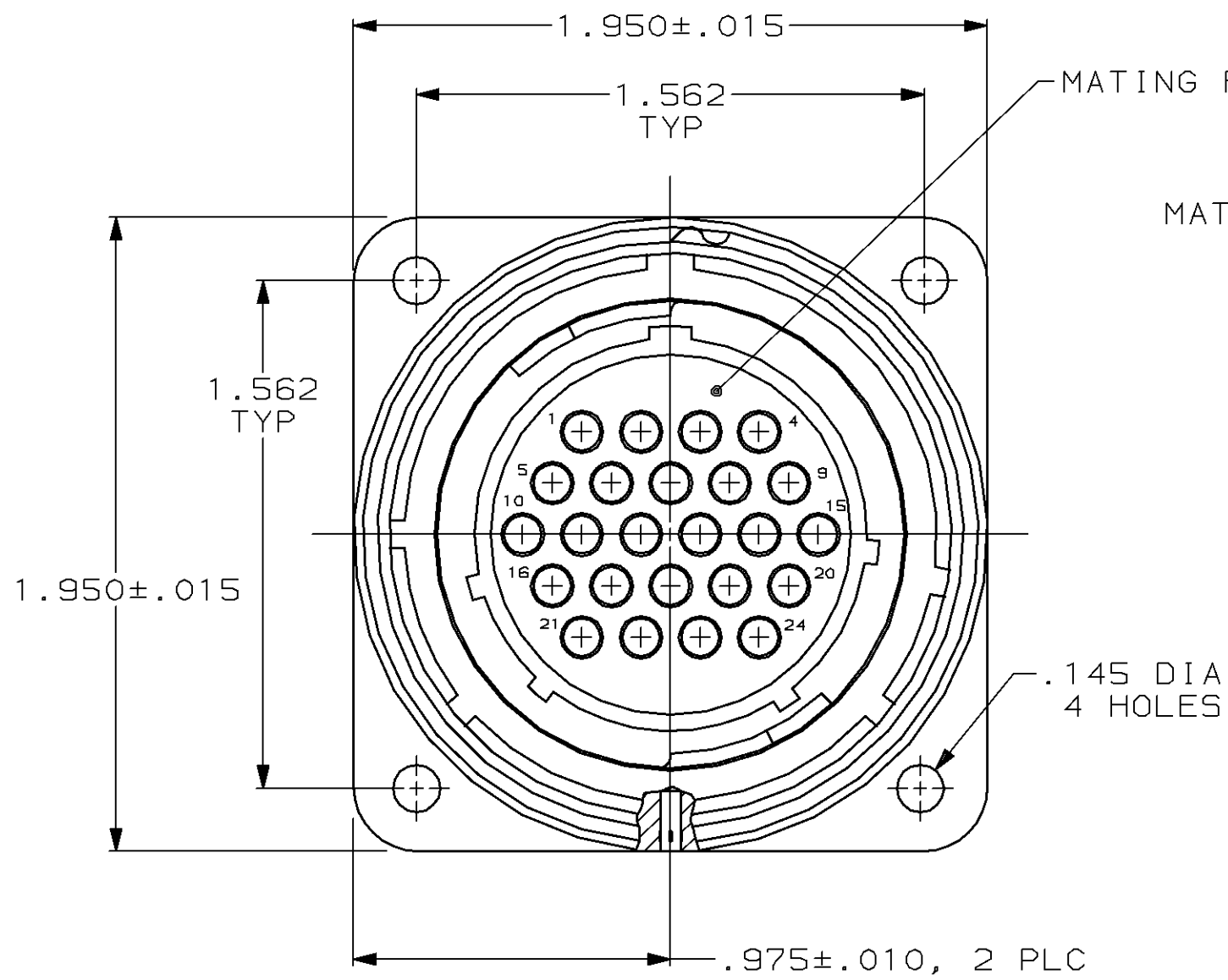


MOD	LOC	DIST	P	F	ZONE	LTR	DESCRIPTION	DATE	APPD
4	BD	35				J	REDRAWN	6-22-91	-
						K	OBS -2 PER EC 0020-0394-93	11/17/94	RK

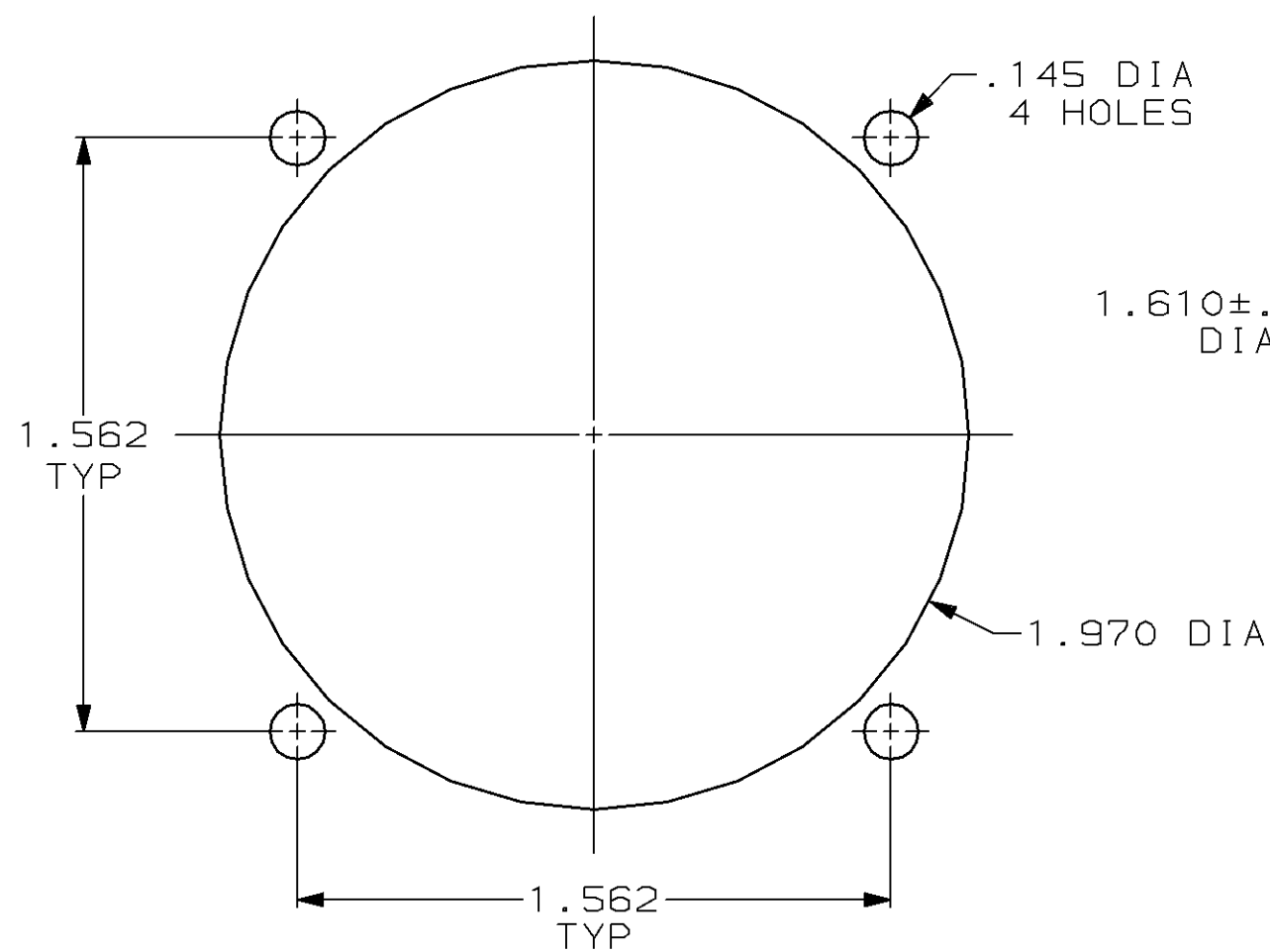
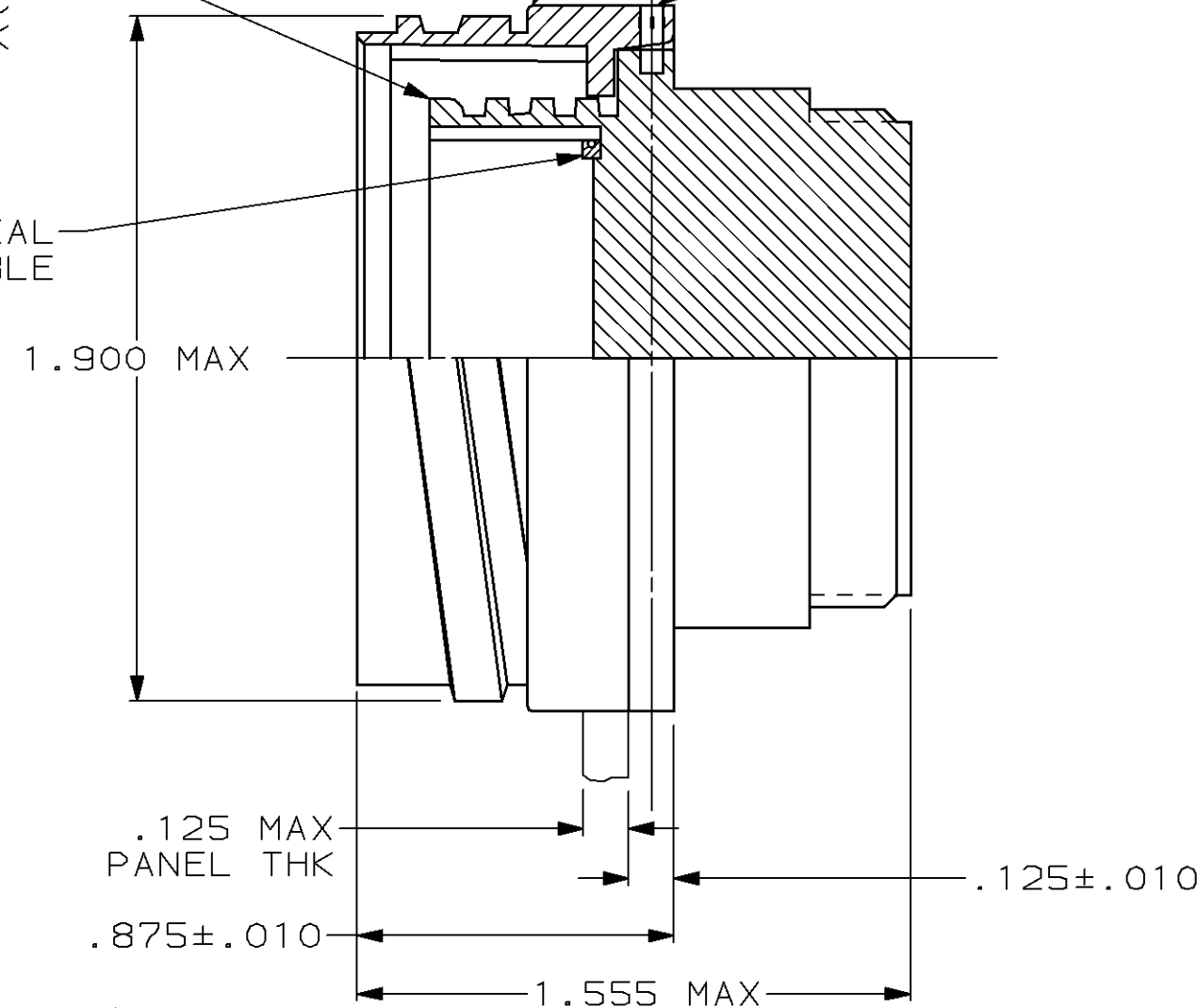


RECEPTACLE, STD SEX
 ARRANGEMENT 23-24
 MATERIAL: THERMOPLASTIC
 COLOR: BLACK

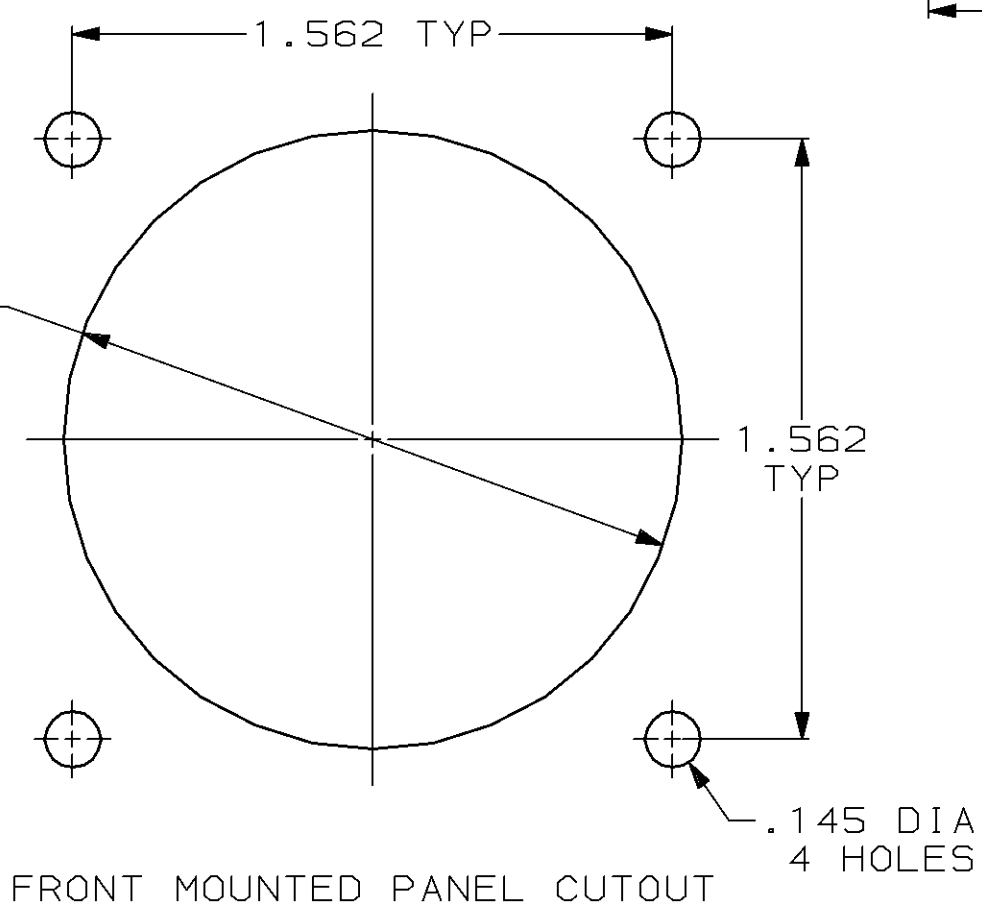
METAL SHELL RECEPTACLE
 MATERIAL: ZINC ALLOY
 FINISH: NICKEL PLATED
 PER QQ-N-290

GROOVED PIN, 2 PLC
 MATERIAL: STEEL ALLOY
 FINISH: NICKEL PLATED
 PER QQ-N-290

PERIPHERAL SEAL
 SEE TABLE



REAR MOUNTED PANEL CUTOUT



FRONT MOUNTED PANEL CUTOUT

OBSOLETE	YES	208459-2
	NO	208459-1
	PERIPHERAL SEAL	PART NUMBER

- 208459-1 MATES WITH AMP PLUG 208457-1 OR -3. 208459-2 MATES WITH 208457-1 ONLY.
- AMP PART NUMBER AND DATE CODE TO BE LOCATED ON EDGE OF FLANGE.

DO NOT SCALE PRINT. UNLESS SPECIFIED DIMENSIONS IN INCHES TOLERANCES ON :	DR 6-22-91 R.LEE BG	AMP Incorporated Harrisburg, PA 17105-3608
2 PLC DEC \pm -	CHK 4-15-92 W.G.LENKER	
3 PLC DEC \pm .005	APPD 4-15-92 K.BEAVER	NAME
ANGLES \pm -	APPD 4-15-92 C.ROHDE	RECEPTACLE ASSEMBLY, STD SEX, SERIES 1, 28-24, CMC
MATERIAL	PRODUCT SPEC 108-10040	SIZE
SEE CALLOUT	APPLICATION SPEC	CAGE CODE
FINISH	-	DRAWING NO
SEE CALLOUT	WEIGHT -	208459
		SCALE
		2:1
		SHEET
		1 OF 1