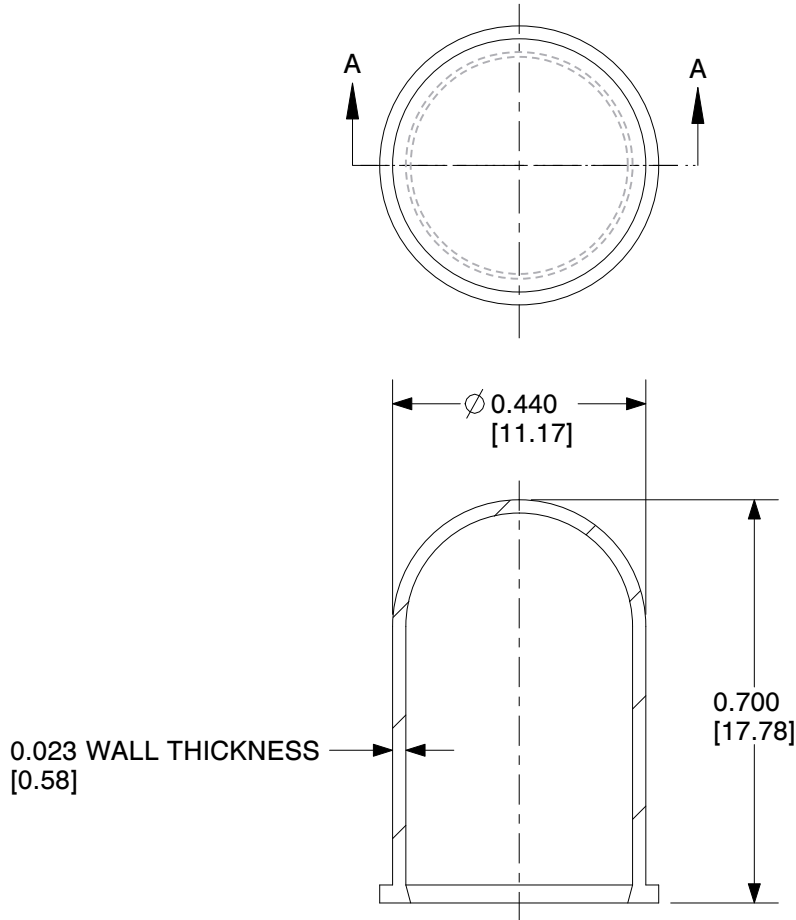


SPECIFICATIONS


Elastomer: Silicone conforms to A-A-59588, Class 3A, GR50. Color to be specified.
Temperature Range: -103° F to +400° F (-75° C to +204° C)
Shelf Life: Excess of 25 years.
Resistant to: Splash, salt spray, sunlight, ozone, weather, fungus, dust, and most acids and lubricating oils.
Physical Characteristics: Flexible, non-breakable, re-usable. Acts as shock mount. Protects against shattering.



SECTION A-A

NOTES:

1. REACH, RoHS, PROP 65 DECLARATIONS.

D	ECO-22-0004: CHANGED DIM ϕ 7/16" TO ϕ .440, CHANGED DIM 11/16" TO .700". UPDATE MATERIAL SPECIFICATIONS, DRAWING FORMAT, AND ADDED DRAWING NOTES. DWN: DAN LAW CHKD: LP 02/09/22	02.03.22
C	REDRAWN and MAT'L CHANGED	S. GOK 05.28.09
B	CAD COMPUTER GENERATED	01.10.03
A	ADDED 15° - 11/16 WAS 5/8	01.06.64
REV.	DESCRIPTION	DATE
TOLERANCES UNLESS OTHERWISE NOTED .X ±0.1 .XXX ±0.005 .XX ±0.01 < ±1.0° FOR RUBBER PORTION ONLY: RMA "A3" COMMERCIAL DIMENSIONS ARE IN INCHES	TITLE: SILIKROME®, FILTER, COLORED, FOR INCANDESCENT T-1 3/4 LAMPS 	ENG. S .GOK 05.28.09
		DWN. ED 01.22.63
		CHKD. J. CELLA 05.28.09
MATERIAL & FINISH: SEE SPECIFICATIONS	SCALE 3.000 DWG. NO. 1813/8	