

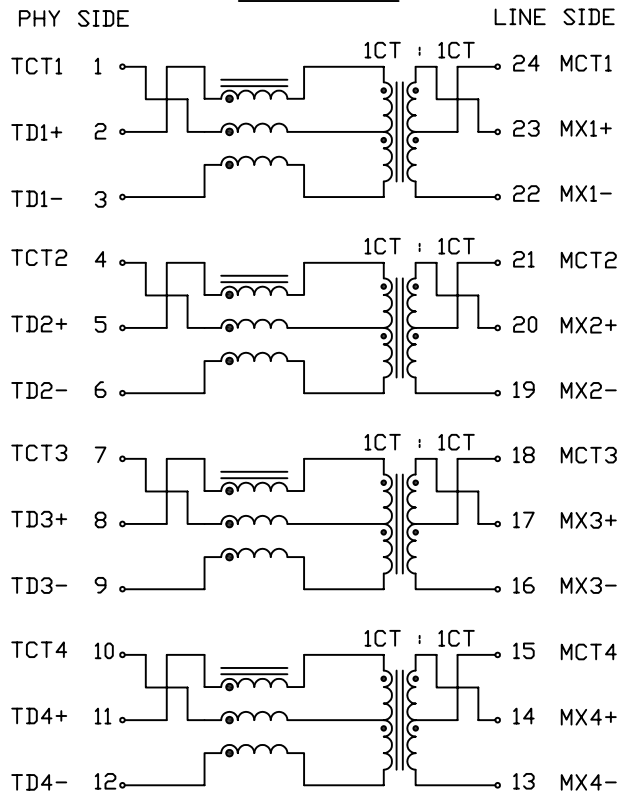
THE INFORMATION CONTAINED HEREIN IS CONSIDERED "PROPRIETARY" TO BEL FUSE INC. AND SHALL NOT BE COPIED, REPRODUCED OR DISCLOSED WITHOUT THE WRITTEN APPROVAL OF BEL FUSE INC.

RoHS



ELECTRICAL CHARACTERISTICS @25°C

SCHEMATIC



DC RESISTANCE

(2-3), (5-6), (8-9), (11-12)	1.00 Ω MAX
(1-3), (4-6), (7-9), (10-12)	0.75 Ω MAX
(23-22), (20-19), (17-16), (14-13)	0.50 Ω MAX
(24-22), (21-19), (18-16), (15-13)	0.30 Ω MAX

TURNS RATIO

(2-1-3) : (23-24-22)	1CT : 1CT ±2%
(5-4-6) : (20-21-19)	1CT : 1CT ±2%
(8-7-9) : (17-18-16)	1CT : 1CT ±2%
(11-10-12) : (14-15-13)	1CT : 1CT ±2%

POLARITY

PER DOT CONVENTION

□CL

-40°C TO +85°C
-40°C TO +85°C

100kHz, 100mV
350uH MIN WITH 11mA DC BIAS
120uH MIN WITH 19mA DC BIAS

INTERWINDING CAPACITANCE, C_{ww}

@1MHz, 20mV
30pF MAX

INSERTION LOSS

0.3MHz - 1MHz
1MHz - 65MHz
65MHz - 100MHz
100MHz - 125MHz

1.1dB MAX
0.8dB MAX
1.0dB MAX
1.2dB MAX

RETURN LOSS @100ΩHM

0.5MHz - 40MHz
40MHz - 100MHz

18dB MIN
12-20LOG(f/80MHz)dB MIN

CROSSTALK

0.3MHz - 100MHz

33-20LOG(f/100MHz)dB MIN

CM TO CM REJ

0.3MHz - 100MHz

30dB MIN

CM TO DM REJ

0.3MHz - 100MHz

35dB MIN

BALANCED DC LINE CURRENT

720mA MAX @57VDC CONTINUOUS
1.2A MAX @57VDC FOR 200ms

HIPOT

1500 V_{rms}

REV. : C PAGE : 2

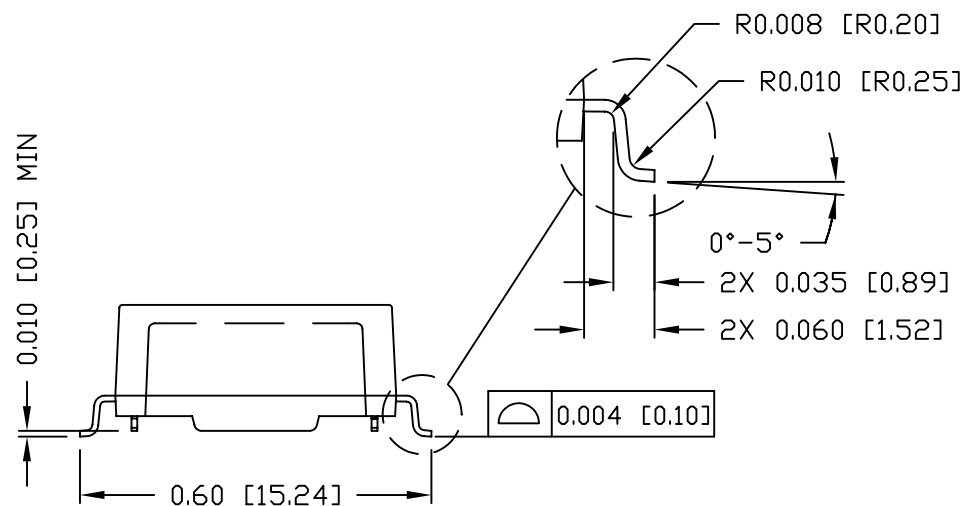
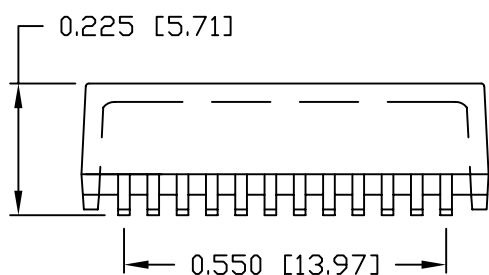
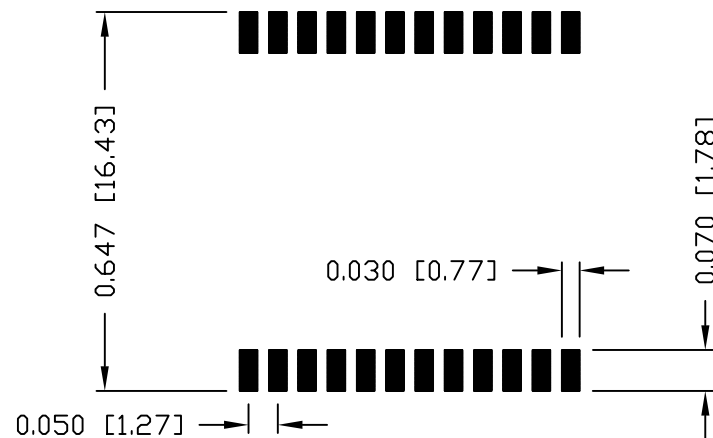
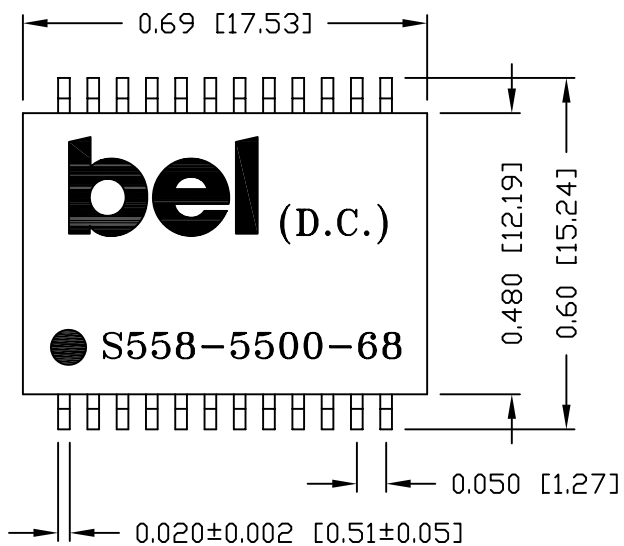
ORIGINATED BY	DATE	TITLE	PART NO. / DRAWING NO.	STANDARD DIM.	[] METRIC DIM. AS REF.	 POWER PROTECT CONNECT
Alice Pang	2015-01-28	ELECTRICAL SPECIFICATION	S558-5500-68	TOL. IN INCH	UNIT : INCH [mm]	
DRAWN BY	DATE		FILE NAME	.X	SCALE : N/A	
ZC Guo	2015-01-28		S558550068C.DWG	.XX	SIZE : A4	
				.XXX		

THE INFORMATION CONTAINED HEREIN IS CONSIDERED "PROPRIETARY" TO BEL FUSE INC. AND SHALL NOT BE COPIED, REPRODUCED OR DISCLOSED WITHOUT THE WRITTEN APPROVAL OF BEL FUSE INC.

RoHS



SUGGESTED PCB PAD LAYOUT



NOTES:

- STANDARD MARKING REFER TO DOC. HAND-WORK-04.
- PACKAGE CODE: "RQS001".

REV. : C PAGE : 3

ORIGINATED BY	DATE	TITLE	PART NO. / DRAWING NO.	STANDARD DIM.	[] METRIC DIM. AS REF.
Lawrence Tsang	2015-01-28	MECHANICAL OUTLINE	S558-5500-68	TOL. IN INCH	UNIT : INCH [mm]
DRAWN BY	DATE		FILE NAME	.X	SCALE : N/A
ZC Guo	2015-01-28		S558550068C.DWG	.XX ±0.01	SIZE : A4
				.XXX ±0.005	



Mouser Electronics

Authorized Distributor

Click to View Pricing, Inventory, Delivery & Lifecycle Information:

Bel:

[S558-5500-68](#) [S555-6400-15-F](#)