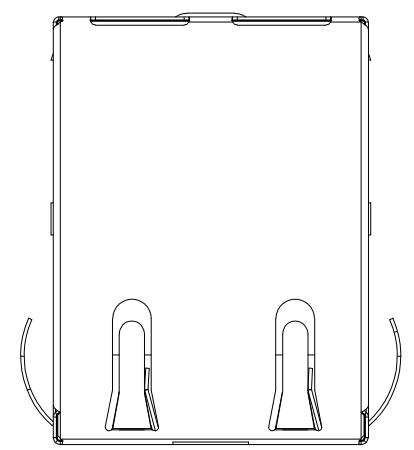
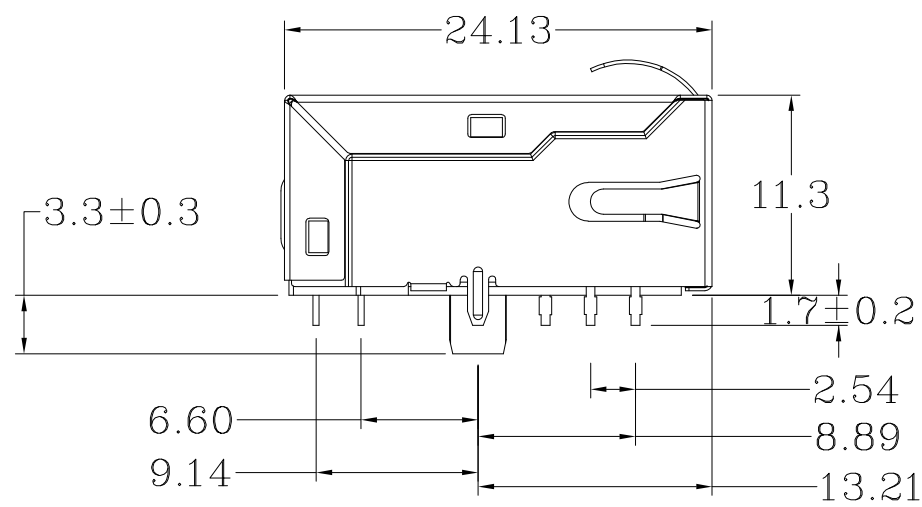
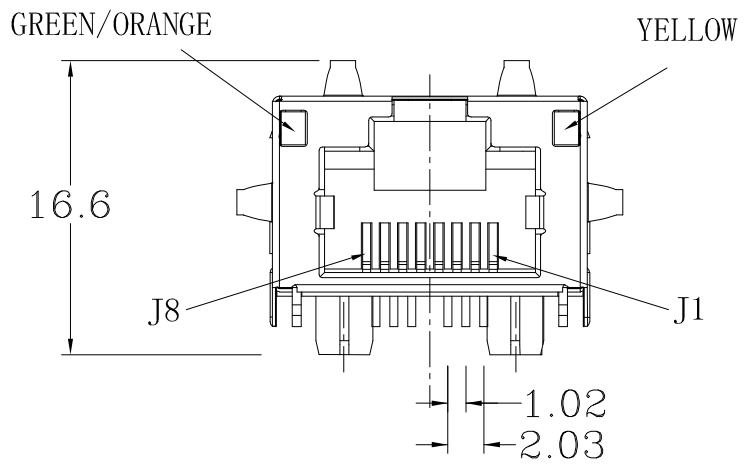
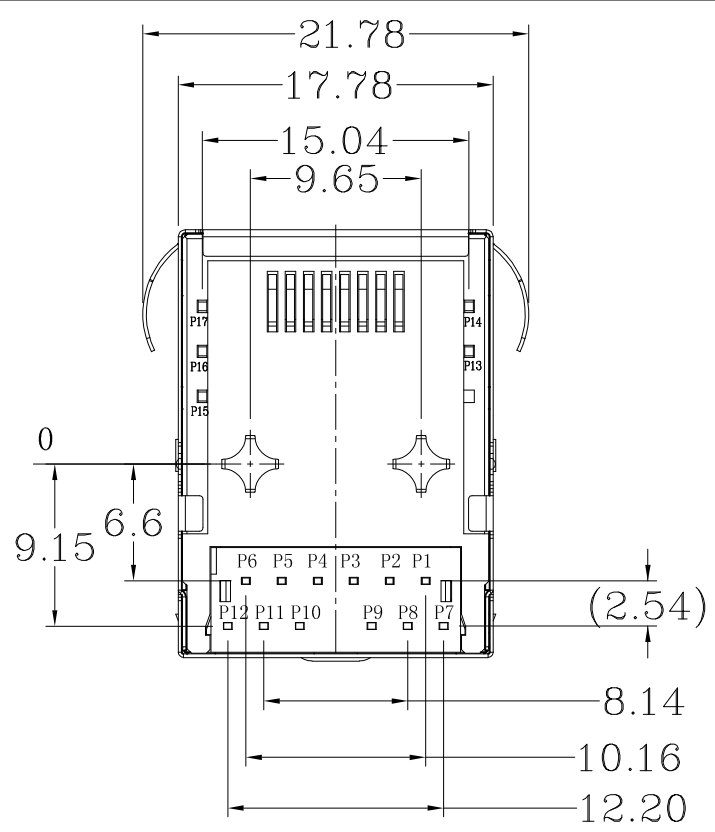


THIS DRAWING IS UNPUBLISHED
 RELEASED FOR PUBLICATION - ,2016.
 © COPYRIGHT 2013 By TE CONNECTIVITY ALL RIGHTS RESERVED.

REVISIONS				
P	LTR	DESCRIPTION	DATE	APVD
B1		REV. PER PCN E-16-016047	28NOV2016	GCM/MSZ



- ① CONNECTOR MATERIAL:
 HOUSING: LCP BLACK UL94 V-0
 INSERT: LCP BLACK UL94 V-0
 SHIELD: BRASS
 SHIELD PLATING: NICKEL
 CONTACT: COPPER ALLOY
 CONTACT PLATING: SELECTIVE GOLD, MIN. 0.76 μm (30 μinch) IN CONTACT AREA OVER MIN. 1.27 μm (50 μinch) NICKEL
 SOLDER PIN PLATING: 3.05 μm (120 μinch) TIN OVER 1.02 μm (40 μinch) NICKEL OVER ALL
 SHIELDING PIN PLATING: NICKEL
- 2 PIN NOT ELECTRICALLY CONNECTED MAYBE OMITTED SEE ELECTRICAL CIRCUIT DIAGRAM FOR OMITTED PINS
- 3 RJ45 CAVITIES CONFORM TO FCC RULES AND REGULATION PART 68
- 4 THE PART IS RECOMMENDED FOR REFLOW SOLDERING PROCESS PEAK SOLDERING: TEMPERATURE MAX. +260° C, MAX. 10s
- 5 OPERATING TEMPERATURE: T= -40° C TO +85° C
- 6 STORAGE TEMPERATURE: T= -40° C TO +85° C
- ② UNLESS OTHERWISE SPECIFIED, SEE TABLE FOR ALL DIMENSIONS TOLERANCES
- 8 JACK CONFIGURATION: 1 x 1 (LOW)
 TAB DIRECTION: UP
- 9 PACKAGING: REEL (T+R) ACCORDING TO PACKAGING SPECIFICATION 107-18116

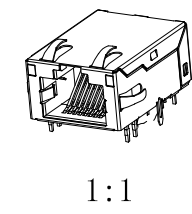


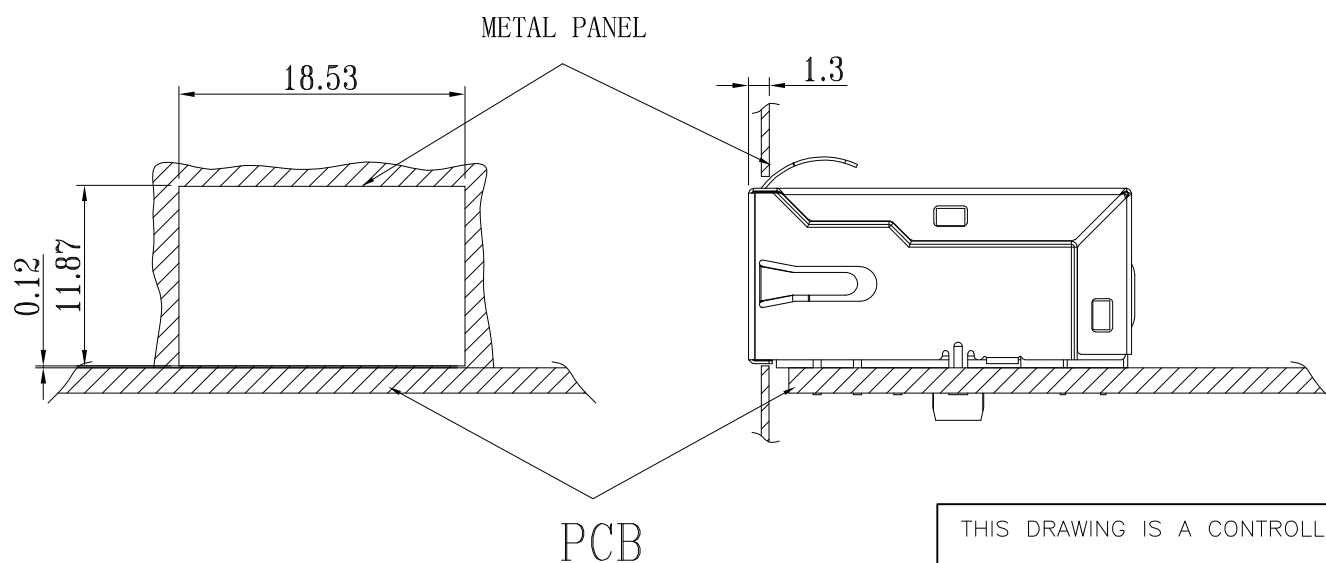
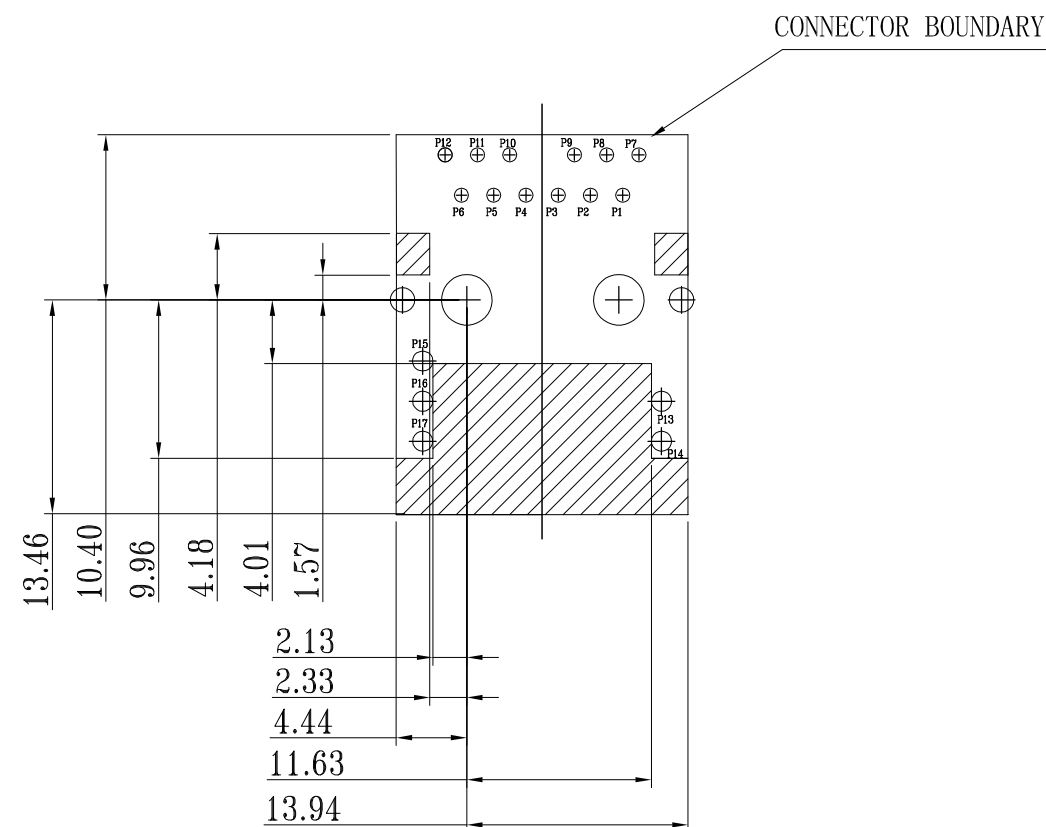
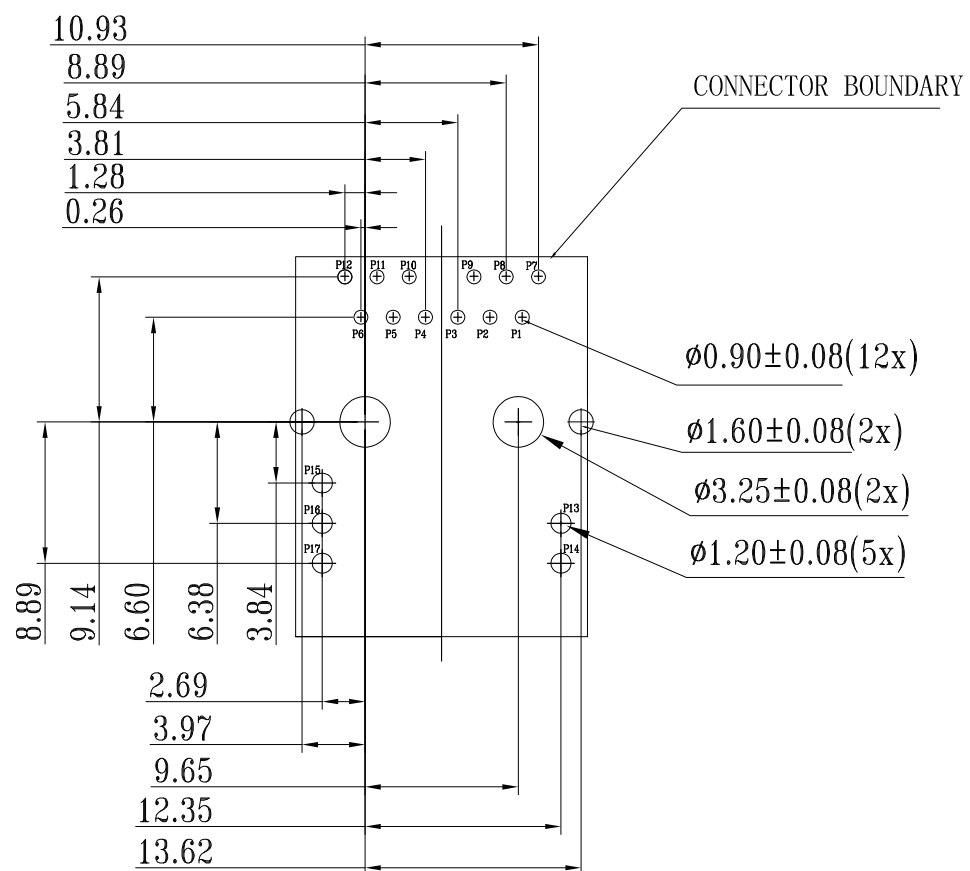
TABLE OF TOLERANCE (mm)	
RANGE	TOLERANCE
0-10	±0.15
>10-40	±0.25
>40-70	±0.30
>70	±0.40

THIS DRAWING IS A CONTROLLED DOCUMENT.		DWN 02AUG2016 GANESH C M	TE Connectivity	
DIMENSIONS: mm		CHK 02AUG2016 FRANZ MUELLER		
TOLERANCES UNLESS OTHERWISE SPECIFIED:		APVD 02AUG2016 MARTIN SZELAG	NAME RJ45 JACK INTEGRATED MAGNETICS 1Gb LED	
0 PLC ± - 1 PLC ± - 2 PLC ± - 3 PLC ± - 4 PLC ± - ANGLES ± -		PRODUCT SPEC 108-94552	-	
MATERIAL		APPLICATION SPEC 114-94447	SIZE A3	CAGE CODE 00779
FINISH		WEIGHT	DRAWING NO C-1-2301994-1	
①		CUSTOMER DRAWING		RESTRICTED TO -
		SCALE 3:1		SHEET 1 OF 3
				REV B1




REVISIONS

P	LTR	DESCRIPTION	DATE	DWN	APVD
-	-	SEE SHEET 1	-	-	-

SUGGESTED PCB LAYOUT

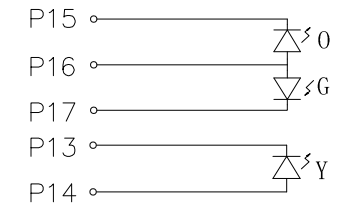
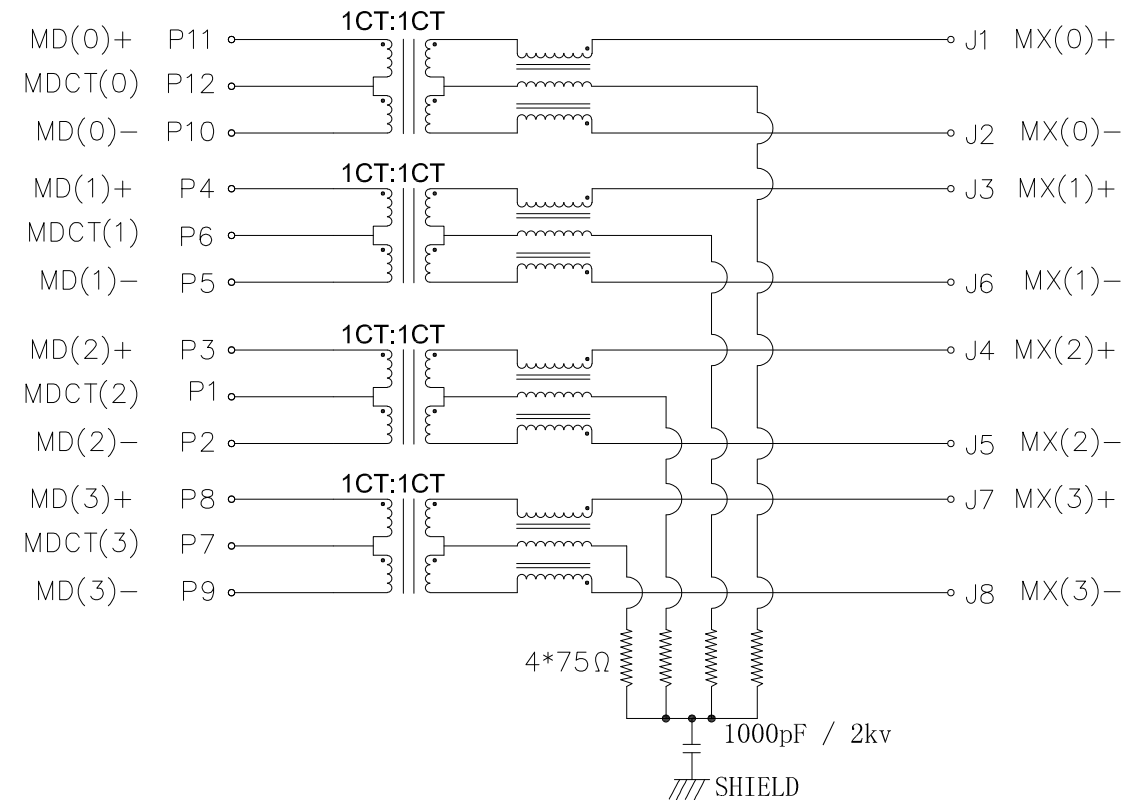


UNIT: mm
TOLERANCES: ±0.10

THIS DRAWING IS A CONTROLLED DOCUMENT.		DWN GANESH C M 02AUG2016	 TE Connectivity			
DIMENSIONS: mm		CHK FRANZ MUELLER 02AUG2016				
TOLERANCES UNLESS OTHERWISE SPECIFIED:		APVD MARTIN SZELAG 02AUG2016	NAME RJ45 JACK INTEGRATED MAGNETICS 1Gb LED			
<ul style="list-style-type: none"> 0 PLC ± - 1 PLC ± - 2 PLC ± - 3 PLC ± - 4 PLC ± - ANGLES ± - 		PRODUCT SPEC 108-94552	-			
MATERIAL		APPLICATION SPEC 114-94447	SIZE A3	CAGE CODE 00779	DRAWING NO C-1-2301994-1	RESTRICTED TO -
FINISH		WEIGHT	CUSTOMER DRAWING			SCALE 3:1
			SHEET 2 OF 3			REV B1

REVISIONS					
P	LTR	DESCRIPTION	DATE	DWN	APVD
-	-	SEE SHEET 1	-	-	-

ELECTRICAL CIRCUIT DIAGRAM



PIN	YELLOW	PIN	ORANGE	GREEN
P13	-	P15	-	
P14	+	P16	+	+
		P17		-

LED SPECIFICATION				
STANDARD LED	WAVELENGTH	FORWARD CURRENT	FORWARD V(max)	TYP
GREEN	565nm	20 mA	2.4V	2.2V
YELLOW	590nm	20 mA	2.5V	2.1V
ORANGE	605nm	20 mA	2.5V	2.0V

- 1 TURN RATIO @100kHz: (P11~P10) : (J1~J2) = 1:1±2%
 (P4~P5) : (J3~J6) = 1:1±2%
 (P3~P2) : (J4~J5) = 1:1±2%
 (P8~P9) : (J7~J8) = 1:1±2%
- 2 PRIMARY INDUCTANCE: 350μH MIN. @100kHz, 0.1V 8mA DC BIAS
- 3 DC RESISTANCE: 1.2 OHM MAX.
- 4 INSERTION LOSS: 1-100MHz -1.0dB MAX.
 100-125MHz -1.2dB MAX.
- 5 RETURN LOSS: 1-40MHz -16dB MIN.
 40-60MHz -12dB MIN.
 60-80MHz -10dB MIN.
 80-100MHz -8dB MIN.
- 6 CROSS TALK: 1-100MHz -30dB MIN.
- 7 COMMON TO COMMON MODE ATTENUATION: 1-100MHz -30dB MIN.
- 8 ISOLATION: PHY SIDE TO LINE SIDE: 2250VDC

1-2301994-1
 WWYY-xxxx

TE

FCC

CONTROL CODE
 DATE CODE
 "0213"
 YY-YEAR
 WW-WEEK

THIS DRAWING IS A CONTROLLED DOCUMENT.		DWN GANESH C M 02AUG2016	TE Connectivity RJ45 JACK INTEGRATED MAGNETICS 1Gb LED		
DIMENSIONS: mm		CHK FRANZ MUELLER 02AUG2016			
TOLERANCES UNLESS OTHERWISE SPECIFIED:		APVD MARTIN SZELAG 02AUG2016	NAME		
0 PLC ± - 1 PLC ± - 2 PLC ± - 3 PLC ± - 4 PLC ± - ANGLES ± -		PRODUCT SPEC 108-94552	RESTRICTED TO		
MATERIAL		APPLICATION SPEC 114-94447	SIZE A3	CAGE CODE 00779	DRAWING NO C-1-2301994-1
FINISH		WEIGHT	SCALE 3:1 SHEET 3 OF 3 REV B1		
CUSTOMER DRAWING					