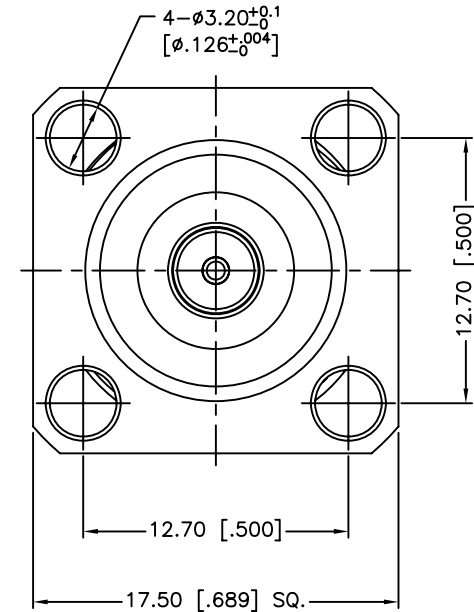
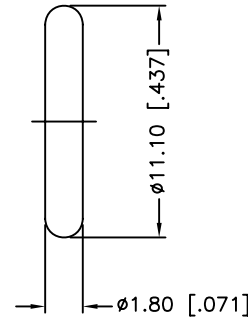
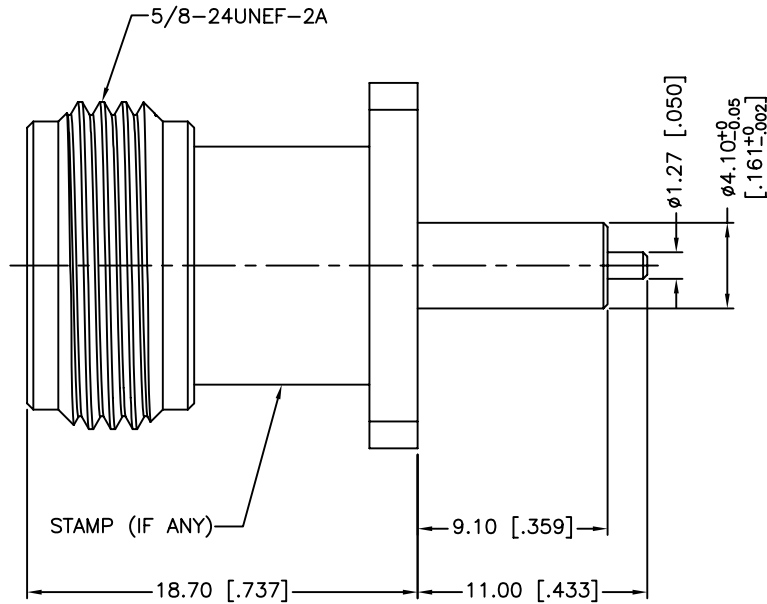
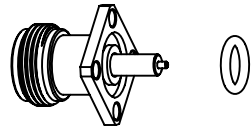


REV.	DATE	ECR NO.	DESCRIPTION
A	06/05/03	XXXXXX	UPDATE DRAWING FORMAT
B	11/23/11	2259	ADD THE TOLERANCE OF Ø4.1



1. IMPEDANCE: 50 OHM
2. FREQUENCY RANGE: DC - 11 GHz
3. DIELECTRIC WITHSTANDING VOLTAGE: 2500 VRMS

UNLESS OTHERWISE SPECIFIED DIMENSIONS ARE IN MILLIMETERS. DIMENSIONS IN [] ARE IN INCHES AND FOR CUSTOMER REFERENCE ONLY.				APPROVALS	DATE	<h1 style="color: blue; margin: 0;">Amphenol Connex</h1>						
5	GASKET	SILICONE	RED	1	DRAWN		C.WANG	11/23/11	PART DESCRIPTION N PANEL RECEPTACLE JACK EXTENDED TEFLON (.359"/ .433")			
4	LOCK RING	BRASS	NEXCOTE	1	CHECKED							
3	CONTACT PIN	PHOSPHOR BRONZE	GOLD	1	ISSUED							
2	INSULATOR	PTFE	NATURAL	1	SHEET	1 OF 1						
1	BODY	BRASS	NEXCOTE	1	<small>UNLESS OTHERWISE SPECIFIED TOLERANCES FOR MILLIMETERS ARE: 0.5 - 8mm ± 0.20mm 8 - 30mm ± 0.40mm 30 - 120mm ± 0.50mm</small>			<small>UNLESS OTHERWISE SPECIFIED TOLERANCES FOR INCHES ARE: .020 - .315 = ± 0.007" .315 - 1.180 = ± 0.015" 1.180 - 4.724 = ± 0.020"</small>	PART NO. 172117			
	DESCRIPTION	MATERIAL	FINISH	QTY	<small>DO NOT SCALE DRAWING</small>			CAD FILE C:/CONNEX/172117.DWG	DWG. NO. 172117.DWG	REV. NC	SIZE A	SCALE NA

Mouser Electronics

Authorized Distributor

Click to View Pricing, Inventory, Delivery & Lifecycle Information:

[Amphenol:](#)

[172117](#)