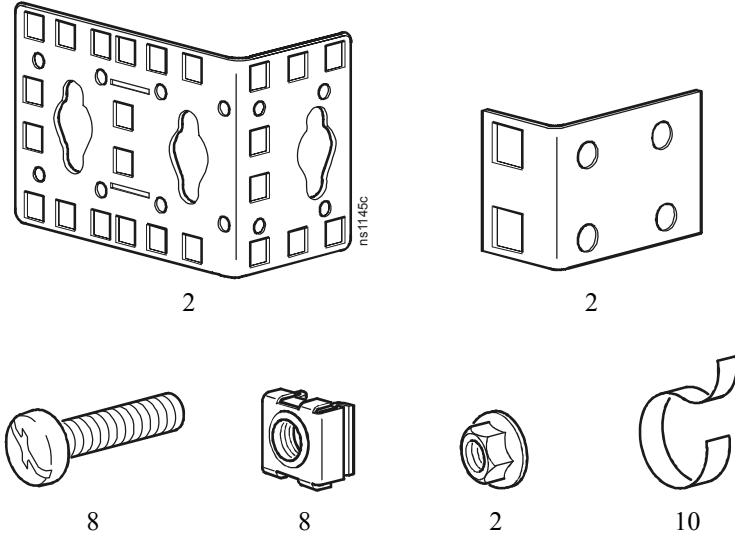
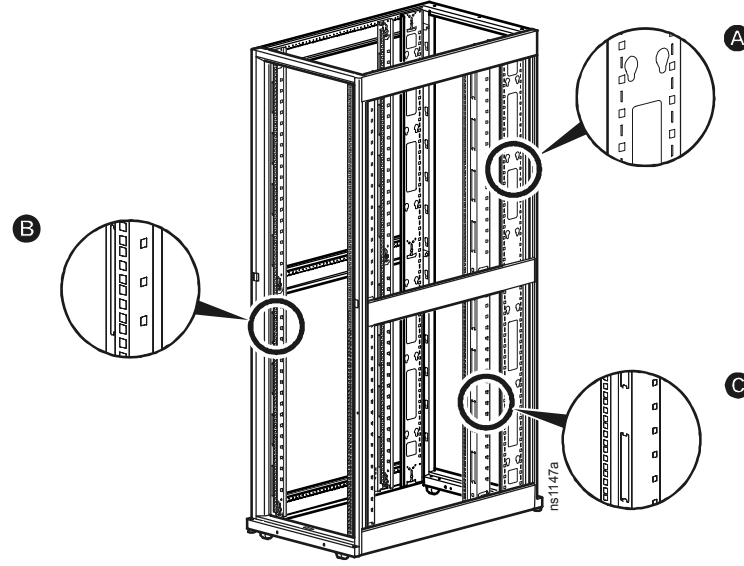




NetShelter® 0U Accessory Mounting Bracket Installation

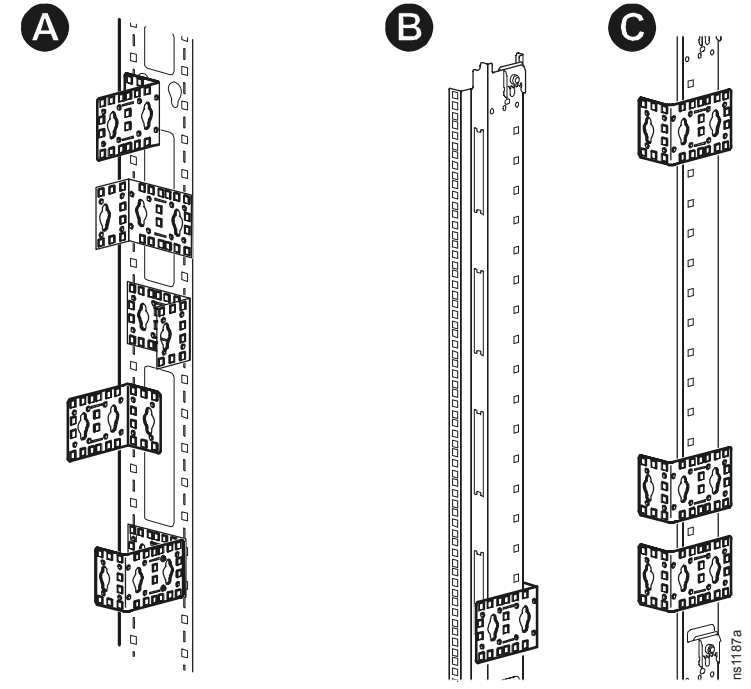


Installation locations on a NetShelter SX Enclosure



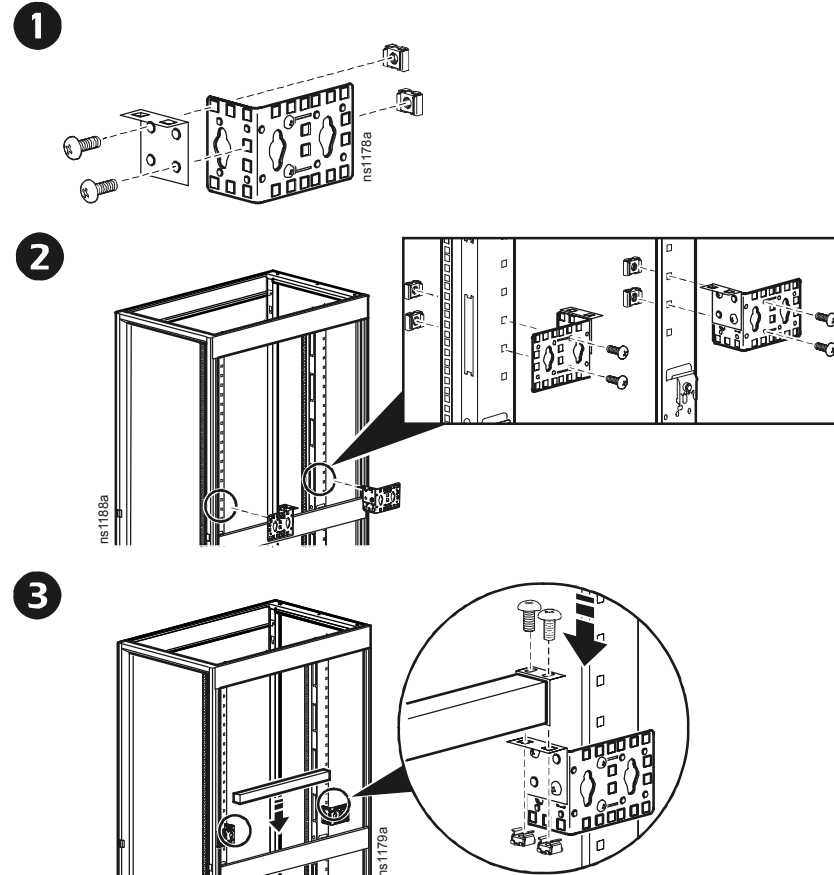
Item	Description
A	Rear cable channels
B	Front vertical mounting flanges
C	Rear vertical mounting flanges

Bracket installation positions

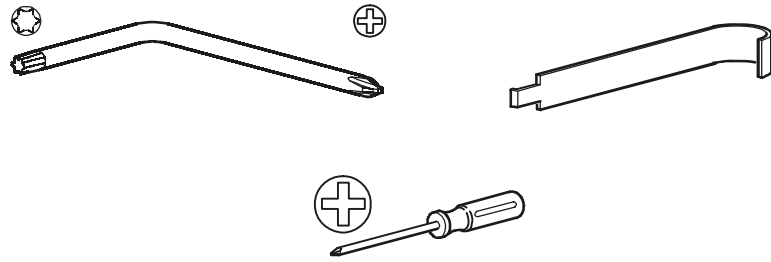


Horizontal rack-mount equipment installation—vertical mounting flanges

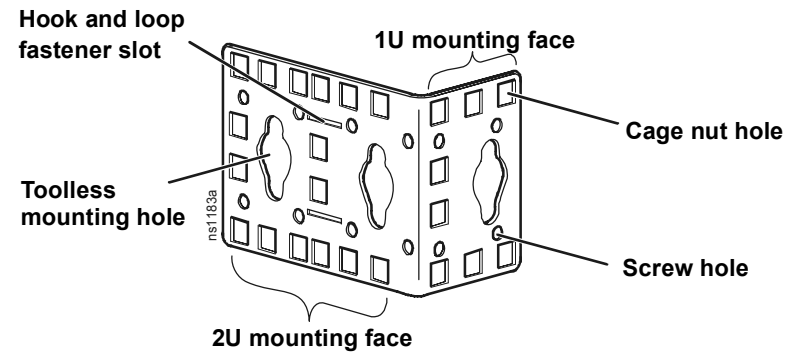
1U mounting face



Tools (not provided)



0U accessory mounting bracket identification



01/2008



990-3112

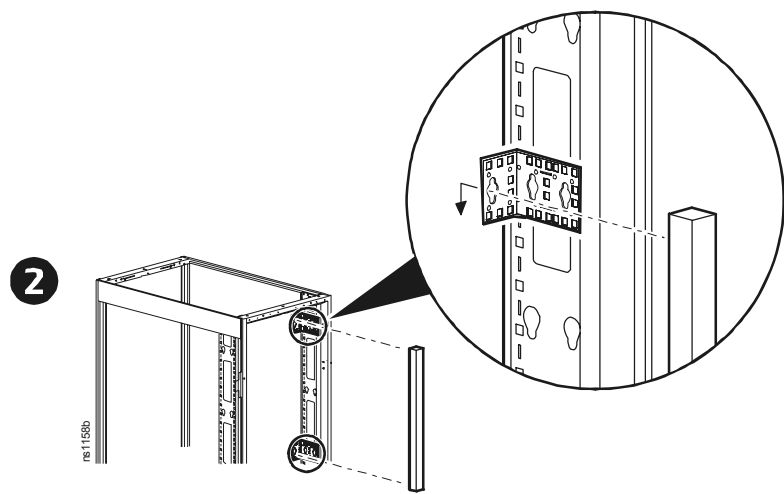
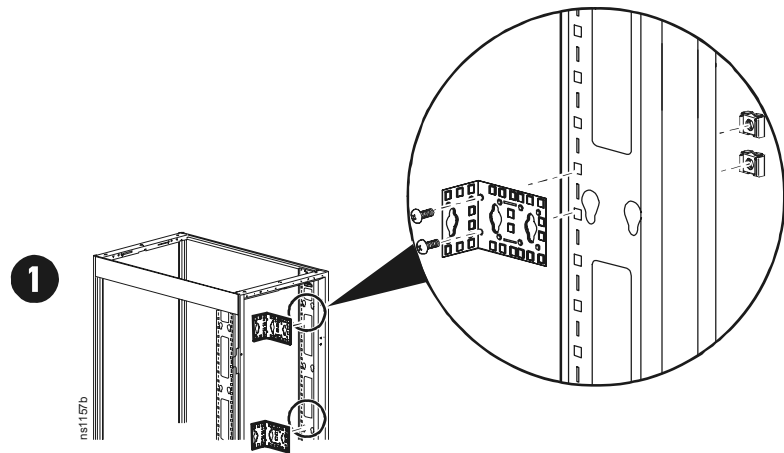


Customer support and warranty information is available at the APC Web site, www.apc.com.
 © 2008 American Power Conversion. All rights reserved. All APC trademarks are property of American Power Conversion. Other trademarks are property of their respective owners.

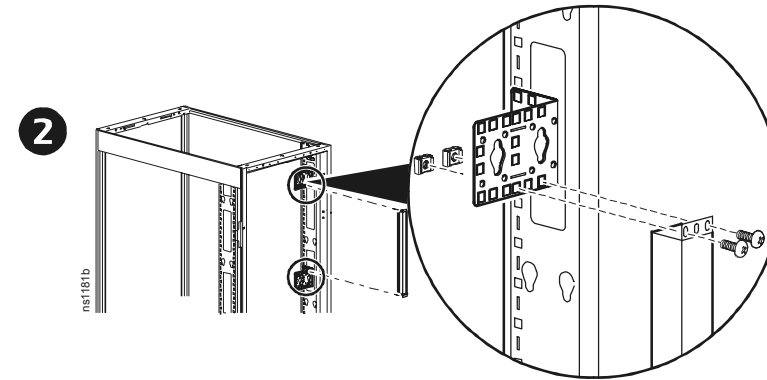
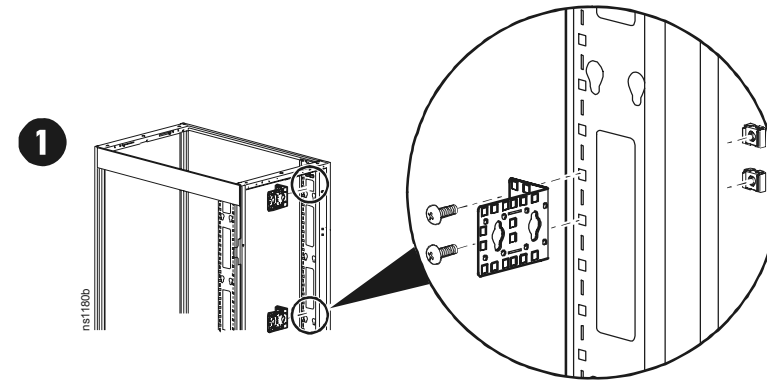
- Direct Infrastructure (1)(87)537-0607 (toll free)
- Customer Support Line (1)(800)800-4272 (toll free)
- APC headquarters U.S., (1)(800)789-5735 (toll free)
- Latin America (1)(401)789-5735 (USA)
- Europe, Middle East, Africa, (353)(91)702000 (Ireland)
- Western Europe (inc. Scandinavia) +800 0272 0272
- Japan (0) 36402-2001
- Australia, New Zealand, (61) (2) 9955 9366 (Australia)
- South Pacific area

APC Worldwide Customer Support

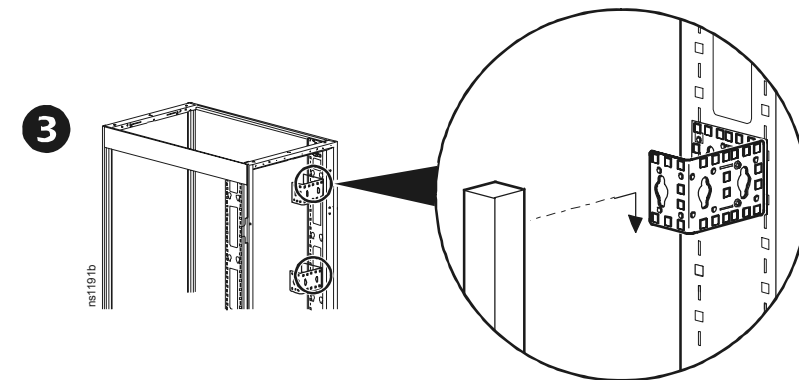
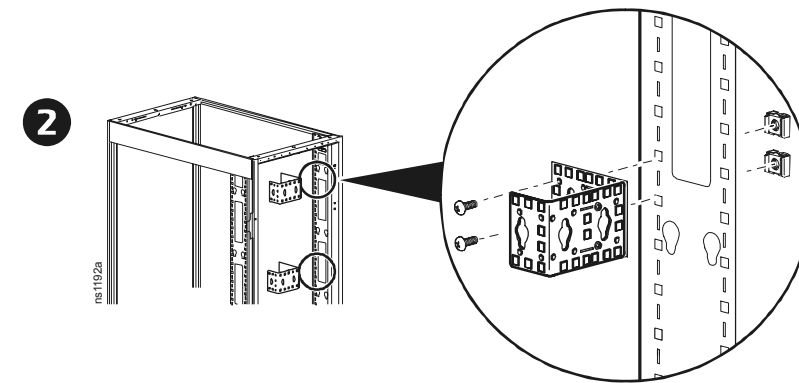
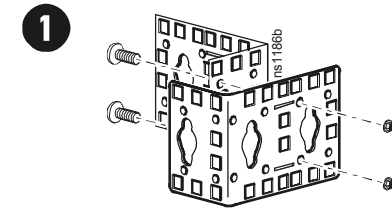
Vertical rack-mount equipment installation—rear cable channel
Toolless mounting



2U mounting face

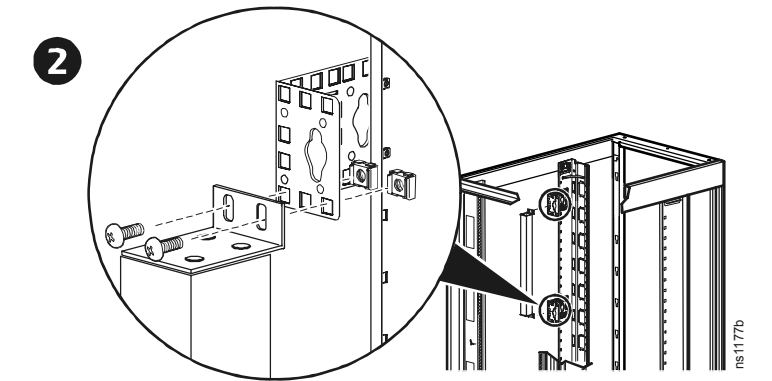
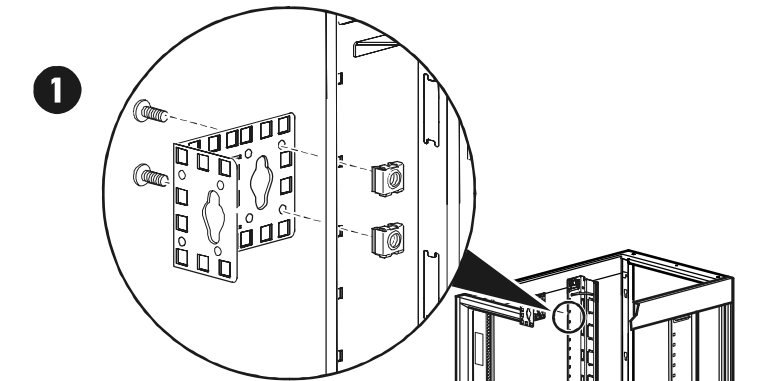


Additional installation option attaching brackets together

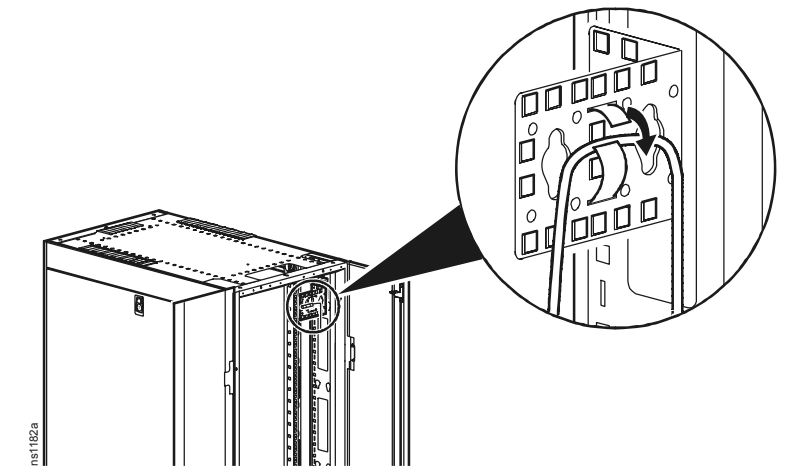


Vertical rack-mount equipment installation—vertical mounting flanges

1U mounting face



Hook-and-loop fastener installation



1U mounting face

