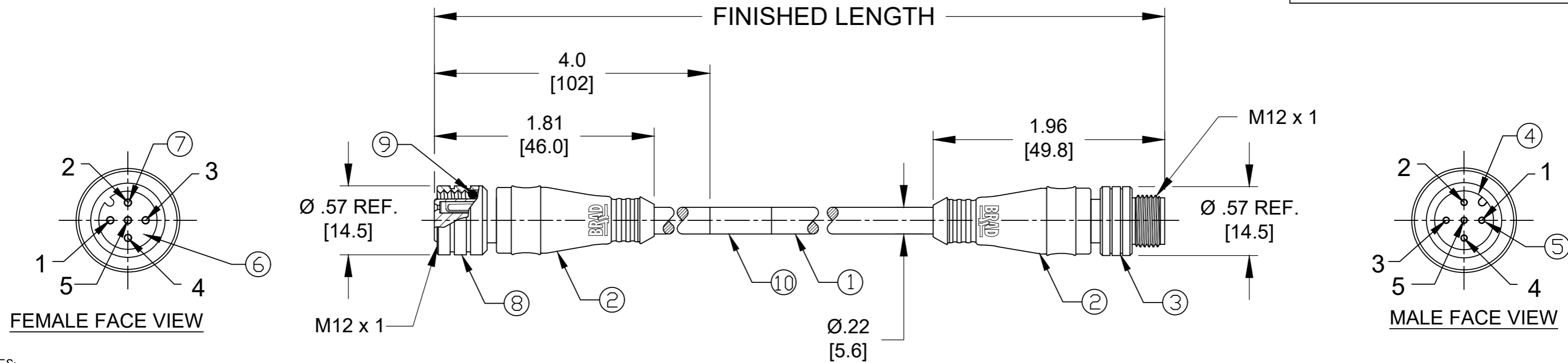


PART NUMBER	ENGINEERING NUMBER	FINISHED LENGTH
1200660426	885030A09M006	1' 11.6" [.6M]
1200660427	885030A09M010	3' 3" [1M]
1200660429	885030A09M020	6' 7" [2M]
1200660431	885030A09M030	9' 10" [3M]
1200660440	885030A09M100	32' 10" [10M]

④ CABLE LENGTH TOLERANCES

<.3M [1FT]:	+19mm-0 [+ .75in-0]
.3 - .9M [1 - 3FT]:	+44.5mm-0 [+1.75in-0]
.9 - 1.8M [3 - 6FT]:	+55.6mm-0 [+2.19in-0]
1.8 - 3.7M [6 - 12FT]:	+88.9mm-0 [+3.50in-0]
3.7 - 7.3M [12 - 24FT]:	+165.1mm-0 [+6.50in-0]
7.3-14.6M [24 - 48FT]:	+317.5mm-0 [+12.50in-0]
14.6 - 30.5M [48-100FT]:	+622.3mm-0 [+24.50in-0]
OVER 30M [100FT]	+2% OF FINISHED LENGTH



- NOTES:
1. MATERIAL: SEE BOM TABLE
 2. FINISHES: SEE BOM TABLE
 3. ELECTRICAL DATA:
MAX. VOLTAGE: 250V AC/DC
MAX. CURRENT 4A
 4. ENVIRONMENTAL:
PROTECTION IP67 (WHEN MATED)
TEMPERATURE RANGE: -20°C TO 105°C
 5. DIMS SHOWN ARE FOR REFERENCE UNLESS TOLERANCED OR NOTED OTHERWISE

885030A09M006

CABLE LENGTH
M006----.6 Meters
M010----1 Meter
M100----10 Meter

WIRING DIAGRAM

1	BROWN	1
2	WHITE	2
3	BLUE	3
4	BLACK	4
5	GRAY	5

ITEM	DESCRIPTION	MATERIAL	FINISH
10	LABEL	VINYL	BLACK/YELLOW
9	O-RING	VITON	RED
8	M12 COUPLING NUT, FEMALE	BRASS	NICKEL PLATED
7	CONTACT SOCKET	COPPER ALLOY	GOLD PLATED
6	FEMALE INSERT	PUR	BLACK
5	CONTACT PIN	COPPER ALLOY	GOLD PLATED
4	MALE INSERT	PUR	BLACK
3	M12 COUPLING NUT, MALE	BRASS	NICKEL PLATED
2	OVERMOLDS	PUR	YELLOW
1	CABLE, 5P, 22AWG	PVC JACKET	YELLOW

FUNCTIONAL SYMBOLS F/A=0 F/C=0 F/P=0	THIS DRAWING CONTAINS INFORMATION THAT IS PROPRIETARY TO MOLEX ELECTRONIC TECHNOLOGIES, LLC AND SHOULD NOT BE USED WITHOUT WRITTEN PERMISSION		
	DIMENSION UNITS	SCALE	CURRENT REV DESC: CORRECT BOM TABLE FOR O-MOLD MAT & COLOR, CABLE DESCRIPTION & COLOR, INSERTS WERE NYLON, COUPLING NUTS WERE ZINC DIE-CAST-BLACK, ADD O-RING, UPDATED NOTES, ADD CABLE LENGTH TOLS.
	INCH/MM	1:1	EC NO: 652340
	GENERAL TOLERANCES (UNLESS SPECIFIED)		DRWN: RSTONE 2021/01/04
DIVISIONAL SYMBOLS	4 PLACES	±----	2021/01/06
	3 PLACES	±----	2021/01/09
	2 PLACES	±----	INITIAL REVISION:
	1 PLACE	±----	DRWN: LHARTMAN 2009/07/28
0 PLACES	±----	APPR: BWOODMAN 2021/01/09	
ANGULAR TOL ± 0.5 °		APPR: JFMURPHY 2009/08/10	DOCUMENT NUMBER
DRAFT WHERE APPLICABLE MUST REMAIN WITHIN DIMENSIONS		THIRD ANGLE PROJECTION	SD-120066-007
		DRAWING B-SIZE	DOC TYPE/DOC PART/REVISION
		SERIES 120066	PSD 001 D
DOCUMENT STATUS P1		RELEASE DATE 2021/01/09 00:47:23	MATERIAL NUMBER
			CUSTOMER GENERAL MARKET
			SHEET NUMBER 1 OF 1

Mouser Electronics

Authorized Distributor

Click to View Pricing, Inventory, Delivery & Lifecycle Information:

[Molex:](#)

[1200660424](#) [1200660425](#) [1200660428](#) [1200660436](#) [1200660437](#) [1200660438](#) [1200660571](#) [1200661544](#)
[1200661912](#) [1200660439](#) [1200660441](#) [1200660444](#) [1200660568](#) [1200660569](#) [1200660570](#)