



PART NAME

NEMA DIE CAST ALUM. ENCLOSURE w/MTG. BRKT.

PART No.

AN-2850-A & AN-2850-AB

REVISION DATE

9-30-15

UL LISTED FOR U.S. AND CANADA - FILE #E194432

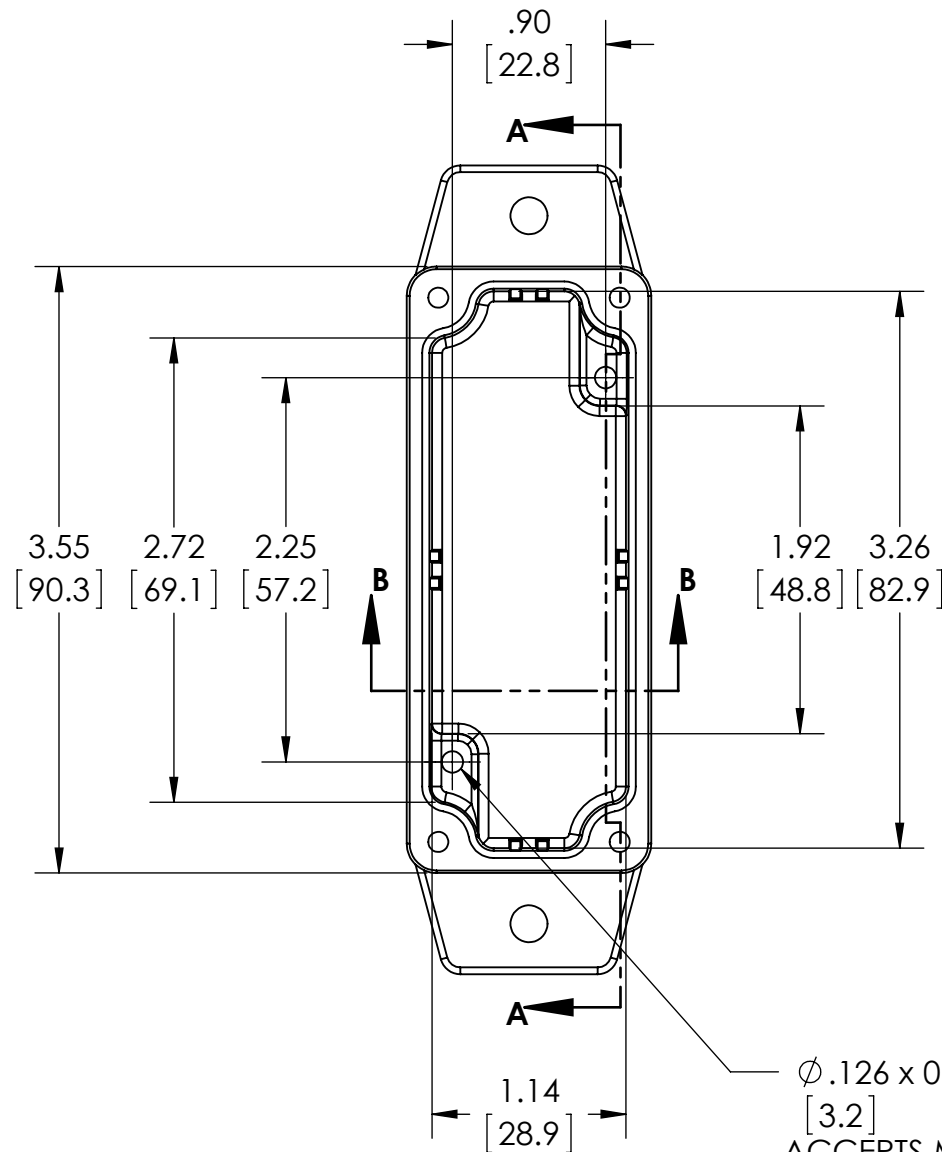
TYPE RATING 4, 4X, 6, 6P, 12 AND 13, COMPARE TO IP-68

80°C. MAXIMUM OPERATING TEMPERATURE

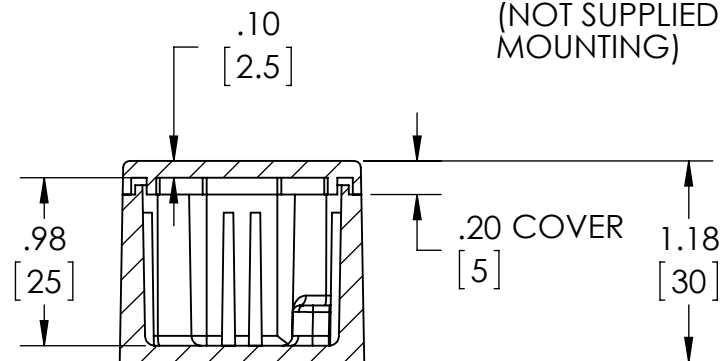
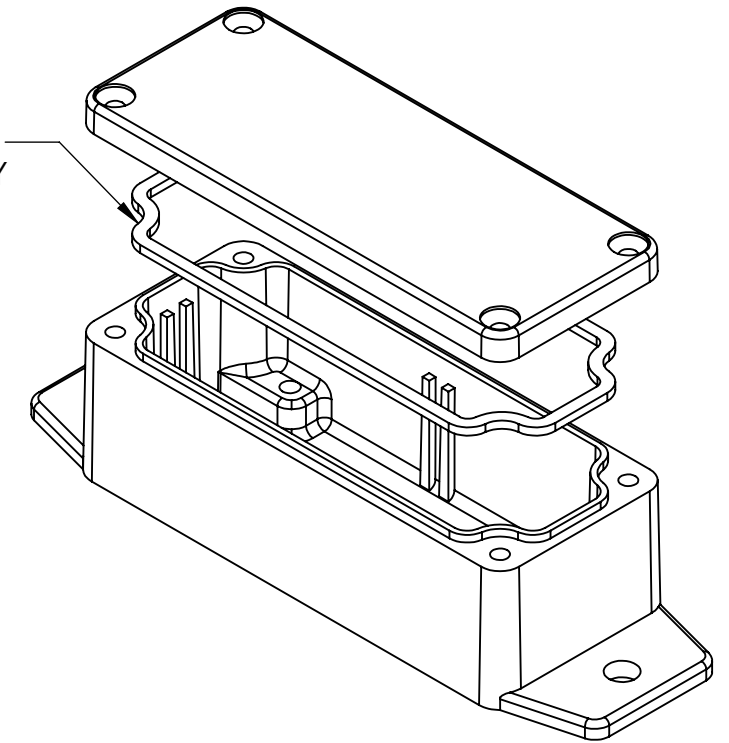
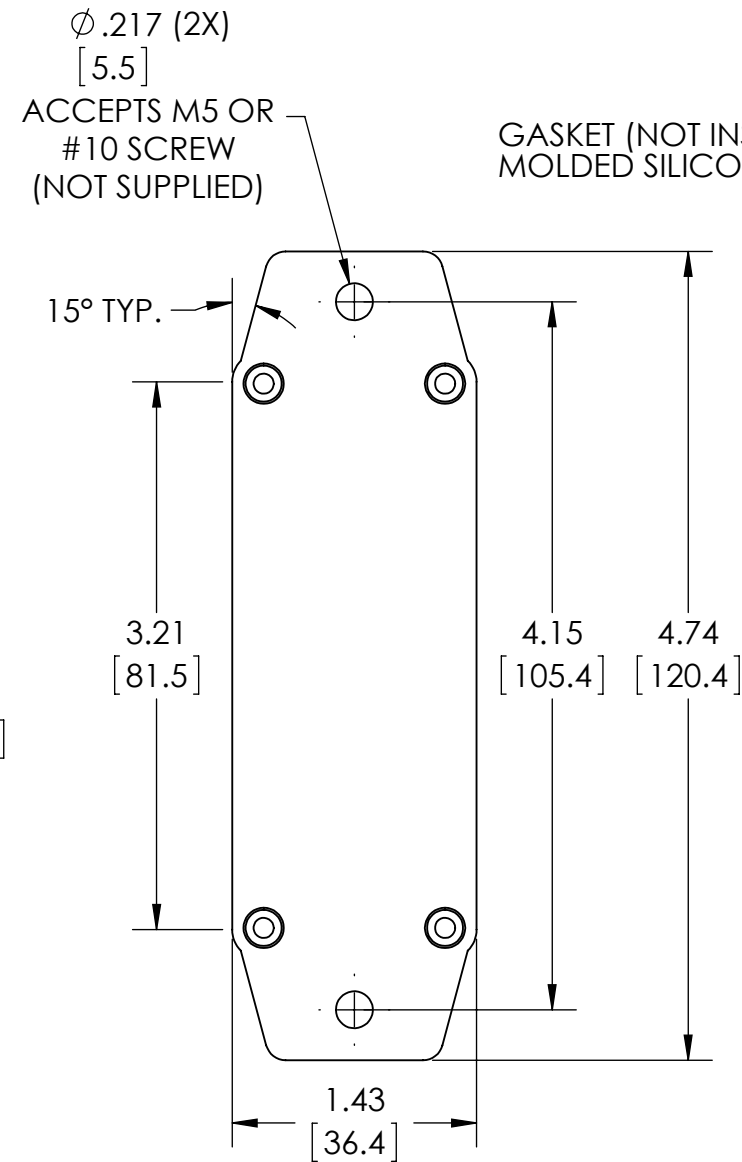
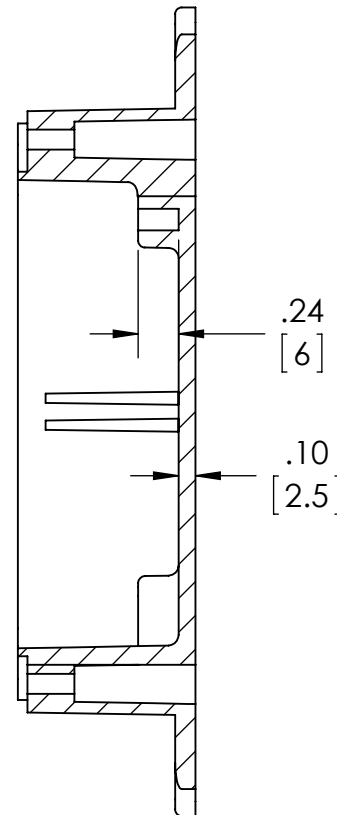
UPDATE REPLACES PART NO. AN-2800 & AN-2850-B

**DRAWING FOR REFERENCE**

WE RESERVE THE RIGHT TO MAKE CHANGES TO OUR STANDARD PRODUCTS. PLEASE CONSULT WITH BUD INDUSTRIES PRIOR TO USING THIS DRAWING FOR DESIGN PURPOSE.



**BODY COVER NOT SHOWN**



$\phi .126 \times 0.240$  DEEP (2X)  
[3.2] [6]  
ACCEPTS M3.5 x 6mm LG.  
OR #6 x 1/4" LG.  
SELF-TAPPING SCREW  
(NOT SUPPLIED - FOR PCB  
MOUNTING)

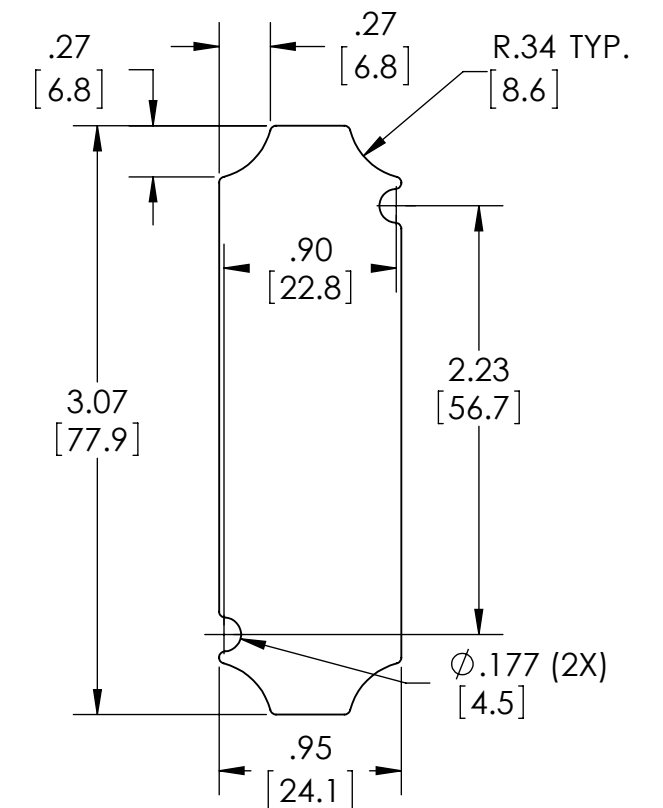
MATERIAL: BODY & COVER - ALUMINUM ALLOY #ADC-12

FINISH: NATURAL (SUFFIX -A)  
SMOOTH BLACK POWDERCOAT (SUFFIX -AB)

FOUR (4) M3x0.5 x 10mm (.39") LG. 90° CSK. HEAD  
STAINLESS STEEL SCREWS SUPPLIED FOR ASSEMBLY  
OF COVER TO BODY. APPLY AT 12 IN./LB. OF  
TORQUE.

OUTSIDE AND INSIDE DRAFT ANGLE: 1°  
DIMENSIONS IN INCH[MM]

OPTIONAL ACCESSORIES:  
PCB MOUNTING KIT #57-58  
INTERNAL PANEL #ANX-91300  
REPLACEMENT GASKET #1300GSKTSC



# Mouser Electronics

Authorized Distributor

Click to View Pricing, Inventory, Delivery & Lifecycle Information:

[Bud Industries:](#)

[AN-2850-A](#) [AN-2850-AB](#)