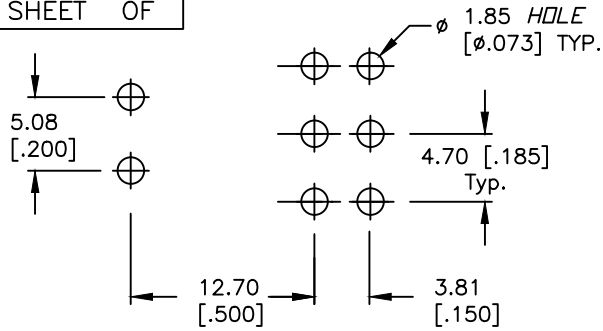
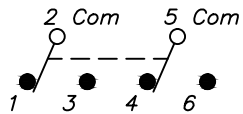


SHEET OF



RECOMMENDED P.C.B. LAYOUT

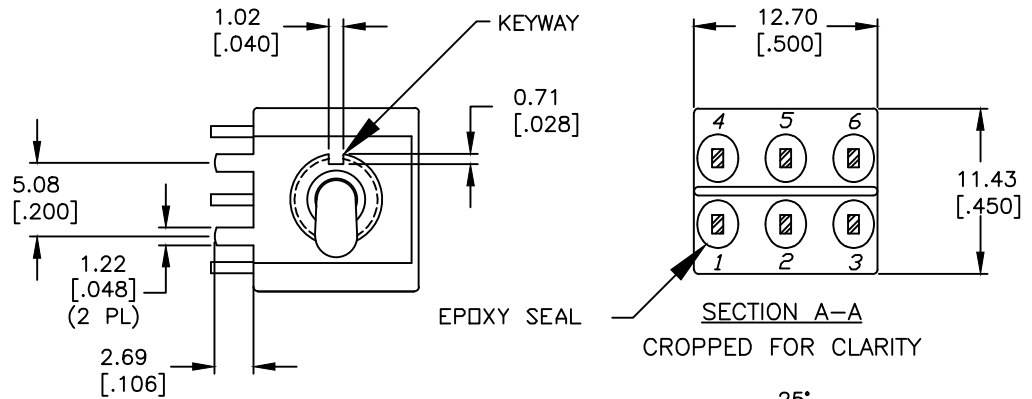


CIRCUIT: DPDT CONTACT CONFIGURATION

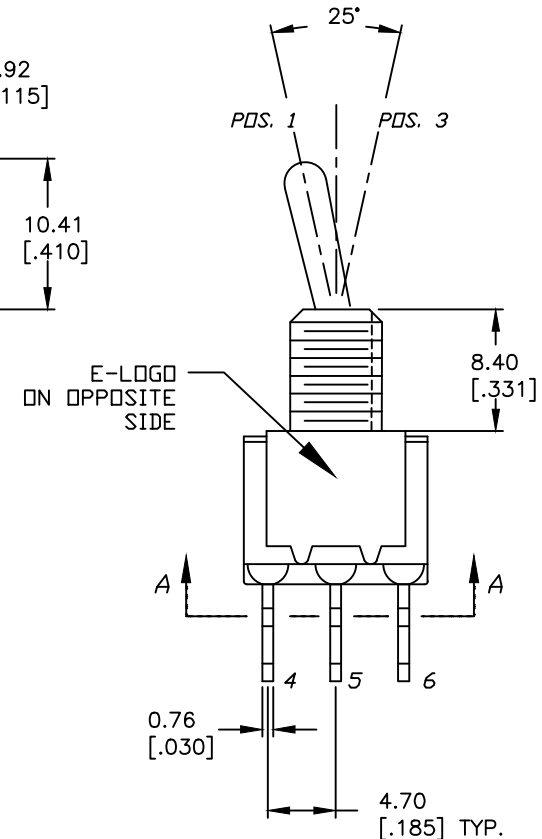
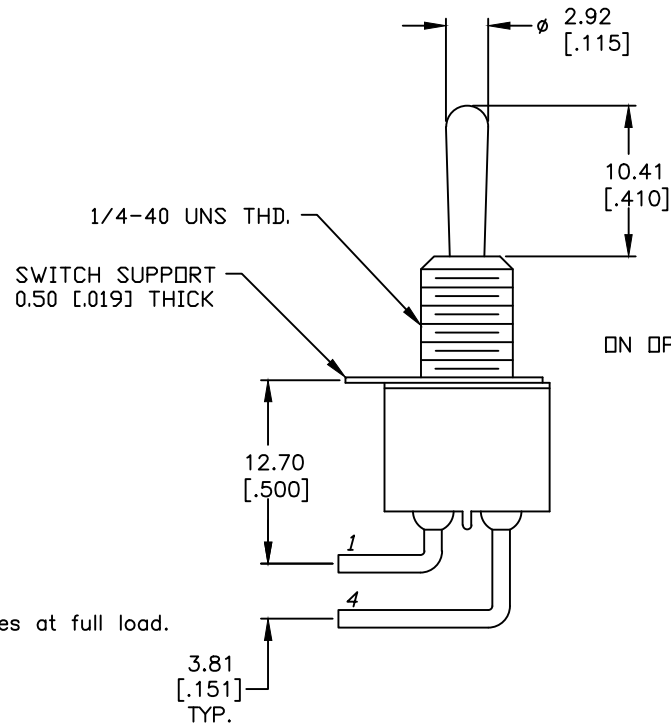
SWITCH FUNCTION		
PDS. 1	PDS. 2	PDS. 3
ON	NONE	ON
2-3,5-6	OPEN	2-1,5-4

NOTES:

- ALL DIMENSIONS IN MM [INCH]
- GENERAL TOLERANCE: X.X=±0.4
X.XX=±0.25
- TERM. NOS. FOR REF. ONLY
- RATING: 5A @120VAC OR 28VDC:
2A @250VAC.
- FIXED TERM. & MOVING CONTACT:
Copper Alloy W/SILVER plate.
- ELECTRICAL LIFE: 50,000 make-and-break cycles at full load.
- INSULATION RESISTANCE: 1,000M ohm min.
- DIELECTRIC STRENGTH: 1,000V RMS @sea level.
- OPERATING TEMP.: -30°C to +85°C.
- HARDWARE TO BE SHIPPED BULK:
T100000 - HEXNUT - QTY 2
T100011 - LOCKWASHER - QTY 1
T100015 - LOCKRING - QTY 1
- 2011/65/EU (ROHS) COMPLIANT



SECTION A-A CROPPED FOR CLARITY



B	23133	Bushing from 8.89 to 8.40	12/7/17	MW
A	18500	RELEASED FOR PRODUCTION	4/24/09	BLR
REV.	ECN No.	DESCRIPTION	DATE	CHKD

THE INFORMATION CONTAINED IN THIS DOCUMENT IS PROPRIETARY TO E-SWITCH AND IS NOT TO BE COPIED OR TRANSFERRED

TITLE 100DP1T1B1M6QE H				
SCALE	DATE	DR	DWG	REV
2:1	4/24/09	BLR	ST121059	B

Mouser Electronics

Authorized Distributor

Click to View Pricing, Inventory, Delivery & Lifecycle Information:

[E-Switch:](#)

[100DP1T1B1M6QEH](#)