



AS25042 and AS25043 Protective Plug and Receptacle Covers

MATING CONNECTOR

AS50151

Basic Part Number

MS25042 = Plug Cover

MS25043 = Receptacle Cover

Finish

D = Cadmium, O.D.

DT = Ni-PTFE)

DA = Black Anodize

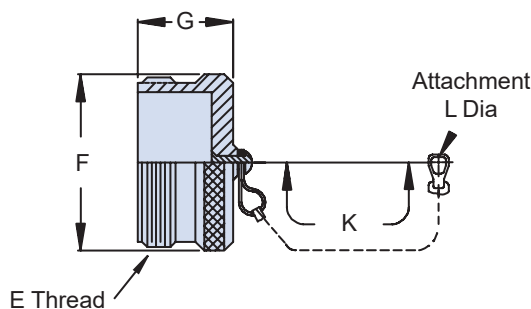
DZ = Black Zinc-Nickel

MS25042

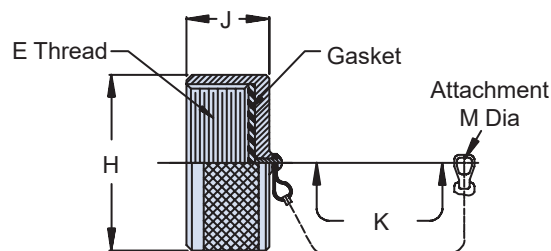
- 20

D

Shell Size
(Table I)



MS25042 Plug Cover



MS25043 Receptacle Cover

TABLE I: Shell Size, Thread, Attachment and Dimensions

| Shell Size | E Thread | F Dia Max | G Max | H Max | J Max | K Attachment Length (Inches) | L Dia Min | M Dia Min |
|------------|----------------|--------------|-------------|--------------|-------------|------------------------------|------------|------------|
| 8 | 1/2- 28 UNEF | .562 (14.3) | .656 (16.7) | .688 (17.5) | .469 (11.9) | 4.00 (101.6) | .151 (3.8) | .135 (3.4) |
| 10 | 5/8- 24 UNEF | .687 (17.4) | .656 (16.7) | .815 (20.7) | .469 (11.9) | 4.00 (101.6) | .151 (3.8) | .135 (3.4) |
| 12 | 3/4- 20 UNEF | .812 (20.6) | .844 (21.4) | 1.000 (25.4) | .469 (11.9) | 4.50 (114.3) | .151 (3.8) | .135 (3.4) |
| 14 | 7/8- 20 UNEF | .937 (23.8) | .844 (21.4) | 1.125 (28.6) | .469 (11.9) | 4.50 (114.3) | .151 (3.8) | .135 (3.4) |
| 16 | 1- 20 UNEF | 1.062 (27.0) | .844 (21.4) | 1.188 (30.2) | .469 (11.9) | 4.50 (114.3) | .151 (3.8) | .135 (3.4) |
| 18 | 1 1/8- 18 UNEF | 1.187 (30.1) | .844 (21.4) | 1.344 (34.1) | .469 (11.9) | 4.50 (114.3) | .151 (3.8) | .135 (3.4) |
| 20 | 1 1/4- 18 UNEF | 1.312 (33.3) | .844 (21.4) | 1.469 (37.3) | .469 (11.9) | 5.00 (127.0) | .182 (4.6) | .135 (3.4) |
| 22 | 1 3/8- 18 UNEF | 1.437 (36.5) | .844 (21.4) | 1.594 (40.5) | .469 (11.9) | 5.00 (127.0) | .182 (4.6) | .135 (3.4) |
| 24 | 1 1/2- 18 UNEF | 1.562 (39.7) | .844 (21.4) | 1.719 (43.7) | .469 (11.9) | 5.50 (139.7) | .182 (4.6) | .166 (4.2) |
| 28 | 1 3/4- 18 UNS | 1.812 (46.0) | .844 (21.4) | 1.969 (50.0) | .531 (13.5) | 7.75 (196.9) | .182 (4.6) | .166 (4.2) |
| 32 | 2- 18 UNS | 2.062 (52.4) | .844 (21.4) | 2.219 (56.4) | .531 (13.5) | 7.75 (196.9) | .213 (5.4) | .182 (4.6) |
| 36 | 2 1/4- 16 UN | 2.312 (58.7) | .844 (21.4) | 2.469 (62.7) | .531 (13.5) | 7.75 (196.9) | .213 (5.4) | .182 (4.6) |
| 40 | 2 1/2- 16 UN | 2.562 (65.1) | .844 (21.4) | 2.719 (69.1) | .531 (13.5) | 7.75 (196.9) | .213 (5.4) | .182 (4.6) |
| 44 | 2 3/4- 16 UN | 2.812 (71.4) | .844 (21.4) | 2.969 (75.4) | .531 (13.5) | 7.75 (196.9) | .213 (5.4) | .182 (4.6) |
| 48 | 3- 16 UN | 3.062 (77.8) | .844 (21.4) | 3.188 (81.0) | .531 (13.5) | 7.75 (196.9) | .213 (5.4) | .182 (4.6) |

APPLICATION NOTES

1. Assembly identified with manufacturer's name and part number, space permitting.
2. For complete dimensions, see the applicable Military Specification.
3. Metric dimensions (mm) are in parentheses.

Dimensions in inches (millimeters) and are subject to change without notice.

© 2013 Glenair, Inc.

Mil-Spec Backshells and Accessories

U.S. CAGE Code 06324

Printed in U.S.A.

GLENAIR, INC. • 1211 AIR WAY • GLENDALE, CA 91201-2497 • 818-247-6000 • FAX 818-500-9912
www.glenair.com G-2 E-Mail: sales@glenair.com