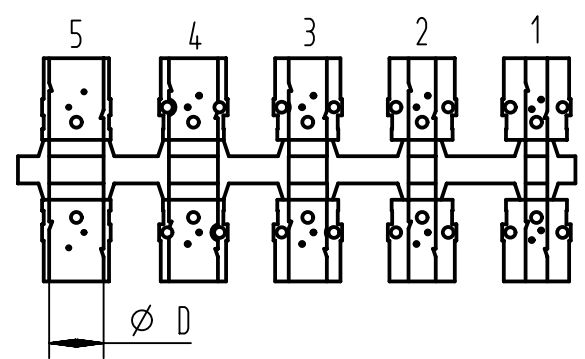
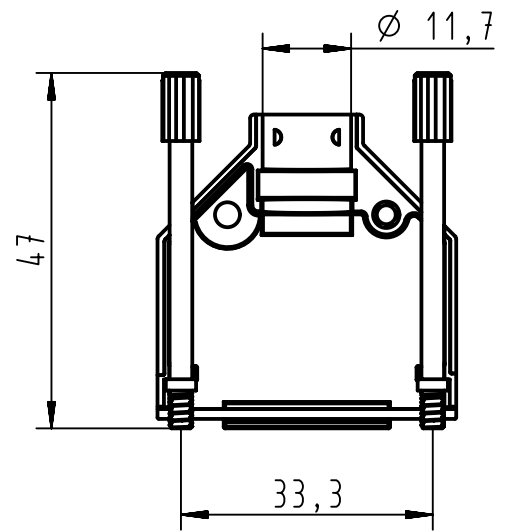
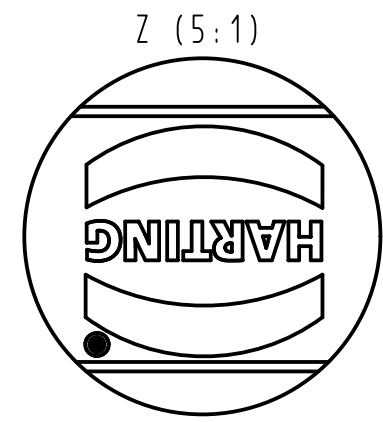
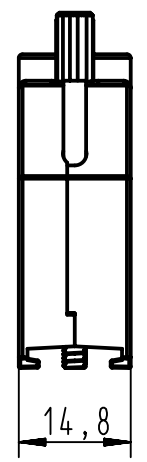
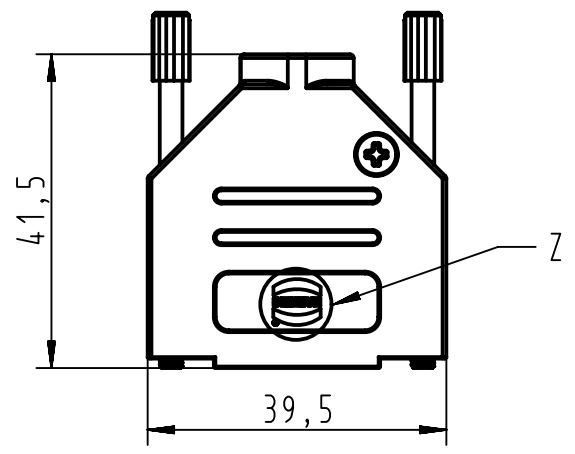


1 2 3 4 5 6

A  
B  
C  
D



Grommet dimensions	
Number	Diameter D
1	4,0
2	5,0
3	7,0
4	9,0
5	10,2

	All rights reserved Department EC PD - FR	All Dimensions in mm Original Size DIN A4		Scale 1:1	Free size tol.	Ref.	
		HARTING Electronics GmbH D-32339 Espelkamp	Created by DOUGE	Inspected by BAGDIKIAN	Standardisation KOHLER	Date 2013-01-29	State Final Release
Part number 09 67 015 0348 screw thread M3		Title D-Sub Hood 15P top entry full metal				Doc-Key / ECM-Nr. 100521349/UGD/001/A 500000056836	
		Type TB	Number 09670150348		Rev. A	Page 1/1	

# Mouser Electronics

Authorized Distributor

Click to View Pricing, Inventory, Delivery & Lifecycle Information:

[HARTING:](#)

[09670150348](#)