

## SUMMARY

### # Wires

High voltage 1



*Image is for illustrative purpose only*

Series 0S  
Termination type Male solder High-Voltage  
IP rating 50  
AWG wire size 30.00 - 22.00  
Cable Ø 3.80 - 4.40 mm  
Status active  
Alternative part [FFB.0S.403.CLAC44](#)  
Matching parts [ERA.0S.403.CLL](#)

### Download

[Request a quote](#)  
[Catalog](#)

## TECHNICAL DETAILS

### Mechanics

Shell Style/Model FFB\*: Straight plug, cable collet and safety locking ring  
Keying Circular, male  
Housing Material Brass (chrome plated [SAE AMS 2460]) shell and collet nut, nickel plated [SAE AMS QQ N 290] brass latch sleeve and mid pieces  
Weight 8.29 g

### Performance

Configuration 0S.403 : 1 High Voltage  
Insulator L: PEEK (UL 94 / V-0/1.5)  
Rated Current 4 Amps

### Specifications

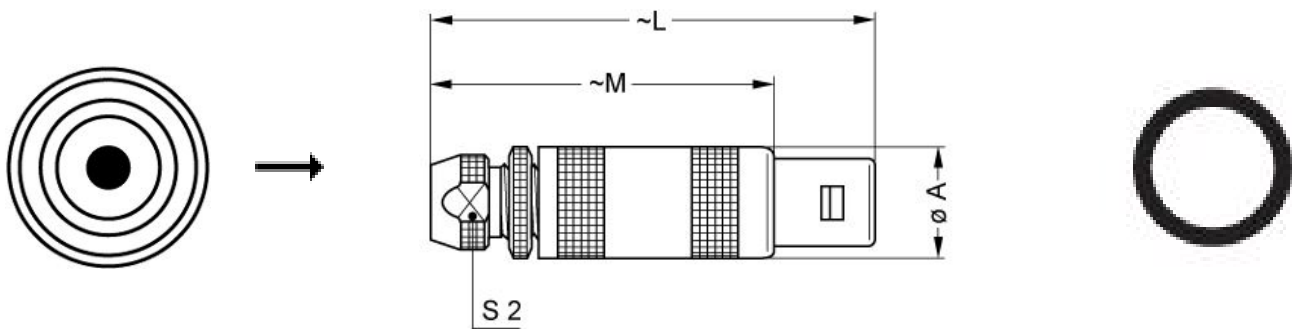
Contact Type: Solder  
Test voltage (kV DC) 6  
Test voltage (kV AC) 4.2  
Air clearance min.: 6.8 mm  
Creepage distance min.: 7 mm

### Others

*LEMO products and services are provided "as is". LEMO makes no warranties or representations with regard to LEMO product & services or use of them, express, implied or statutory, including for accuracy, completeness, or security. The user is fully responsible for his products and applications using LEMO components.*

Endurance (Shell): 5000 mating cycles  
 Temp (min / max): -55 °C / +250 °C  
 Humidity (max): <=95% [at 60 deg C / 140 F]  
 Vibration: 15 g [10 Hz - 2000 Hz]  
 Shock Resistance: 100 g [ 6 ms]  
 Climatical Category: 50/175/21  
 Shielding (min): 75 dB (10 MHz)  
 Shielding (min): 40 dB (1 GHz)  
 Salt Spray Corrosion: >144 hr

## DRAWINGS



### Dimensions

|     | A    | L    | M    | S2   |
|-----|------|------|------|------|
| mm. | 9    | 36.8 | 26.8 | 6.5  |
| in. | 0,35 | 1,45 | 1,06 | 0,26 |

## RECOMMENDED BY LEMO

### Tools

Spanner wrench: [DCD.05.005.PA065](#)

*LEMO products and services are provided "as is". LEMO makes no warranties or representations with regard to LEMO product & services or use of them, express, implied or statutory, including for accuracy, completeness, or security. The user is fully responsible for his products and applications using LEMO components.*

*LEMO products and services are provided "as is". LEMO makes no warranties or representations with regard to LEMO product & services or use of them, express, implied or statutory, including for accuracy, completeness, or security. The user is fully responsible for his products and applications using LEMO components.*

# Mouser Electronics

Authorized Distributor

Click to View Pricing, Inventory, Delivery & Lifecycle Information:

[LEMO:](#)

[FFB.0S.403.CLAC42](#)