

CUC-STD-C1PGY-S/R4E8:1 - RJ45 connector



1414382

<https://www.phoenixcontact.com/us/products/1414382>

Please be informed that the data shown in this PDF document is generated from our Online Catalog. Please find the complete data in the user documentation. Our General Terms of Use for Downloads are valid.



RJ45 connector, design: RJ45, degree of protection: IP20, number of positions: 8, 1 Gbps, CAT6, material: Plastic, connection method: Crimp connection, connection cross section: AWG 24- 27, cable outlet: straight, color: gray, Ethernet

Your advantages

- Reliable 360° shield contact due to the proven crimp connection
- Easy installation with a crimping tool
- Pin insert for V.06 sleeve housing VS-08-T-H-RJ45/IP67

Commercial Data

| | |
|--------------------------------------|---------------------|
| Item number | 1414382 |
| Packing unit | 1 pc |
| Minimum order quantity | 1 pc |
| Sales Key | AB11 |
| Product Key | ABNAAG |
| Catalog Page | Page 372 (C-2-2019) |
| GTIN | 4055626025339 |
| Weight per Piece (including packing) | 8 g |
| Weight per Piece (excluding packing) | 7 g |
| Customs tariff number | 85366990 |
| Country of origin | TW |

1414382

<https://www.phoenixcontact.com/us/products/1414382>

Technical Data

Product properties

| | |
|----------------------|-----------------------------|
| Type | RJ45 |
| Product type | Data connector (cable side) |
| Sensor type | Ethernet |
| Number of positions | 8 |
| Connection profile | RJ45 |
| No. of cable outlets | 1 |
| Type | RJ45 |
| Locking type | Locking clips |
| Shielded | no |
| Cable outlet | straight |
| Positions/contacts | 8P8C |

Insulation characteristics

| | |
|----------------------|---|
| Overvoltage category | I |
| Degree of pollution | 2 |

Electrical properties

| | |
|---|--|
| Rated voltage (III/3) | 72 V (DC) |
| Rated current | 1 A |
| Contact resistance | < 20 mΩ (Contact) < 100 mΩ (shield) |
| Frequency range | to 250 MHz |
| Insulation resistance | > 500 MΩ |
| Nominal voltage U_N | 72 V (DC) |
| Nominal current I_N | 1 A |
| Contact resistance per contact pair | < 20 Ω |
| Contact resistance | > 10 mΩ (Wire – IDC) |
| Transmission medium | Copper |
| Transmission characteristics (category) | CAT6 |
| Transmission speed | 1 Gbps |

Connection data

Connection technology

| | |
|------------------------------|--|
| Connection method | Crimp connection |
| Connection cross section AWG | 24 ... 27 (flexible) |
| Conductor cross section | 0.11 mm ² ... 0.22 mm ² (flexible) |

Dimensions

| | |
|--------|---------|
| Width | 13.5 mm |
| Height | 17 mm |

CUC-STD-C1PGY-S/R4E8:1 - RJ45 connector



1414382

<https://www.phoenixcontact.com/us/products/1414382>

| | |
|--------|----------|
| Length | 44.65 mm |
|--------|----------|

Material specifications

| | |
|--|-----------------|
| Color | gray |
| Flammability rating according to UL 94 | V2 |
| Contact material | Phosphor bronze |
| Contact surface material | Au/Ni |
| Contact carrier material | PC |
| Locking latch material | PC |
| Housing material | Plastic |

Cable/line

| | |
|--------------------------|--------|
| External cable diameter | 6.6 mm |
| Test voltage Core/Core | 1000 V |
| Test voltage Core/Shield | 1500 V |

Mechanical properties

Mechanical data

| | |
|-------------------------------------|-----------|
| Insertion/withdrawal cycles | ≥ 750 |
| Insertion force per signal contact | < 20.00 N |
| Extraction force per signal contact | < 20 N |

Environmental and real-life conditions

Ambient conditions

| | |
|---------------------------------|------------------|
| Degree of protection | IP20 |
| Ambient temperature (operation) | -25 °C ... 60 °C |

Mounting

| | |
|-------------------|------------------|
| Mounting type | Crimp connection |
| Connection method | Crimp connection |

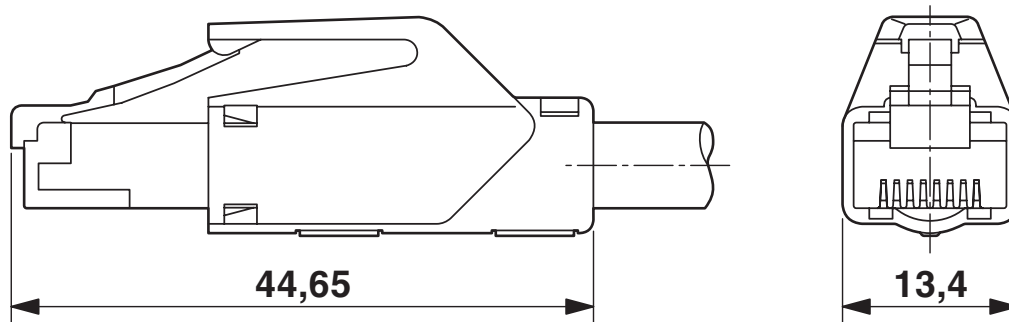
CUC-STD-C1PGY-S/R4E8:1 - RJ45 connector

1414382

<https://www.phoenixcontact.com/us/products/1414382>

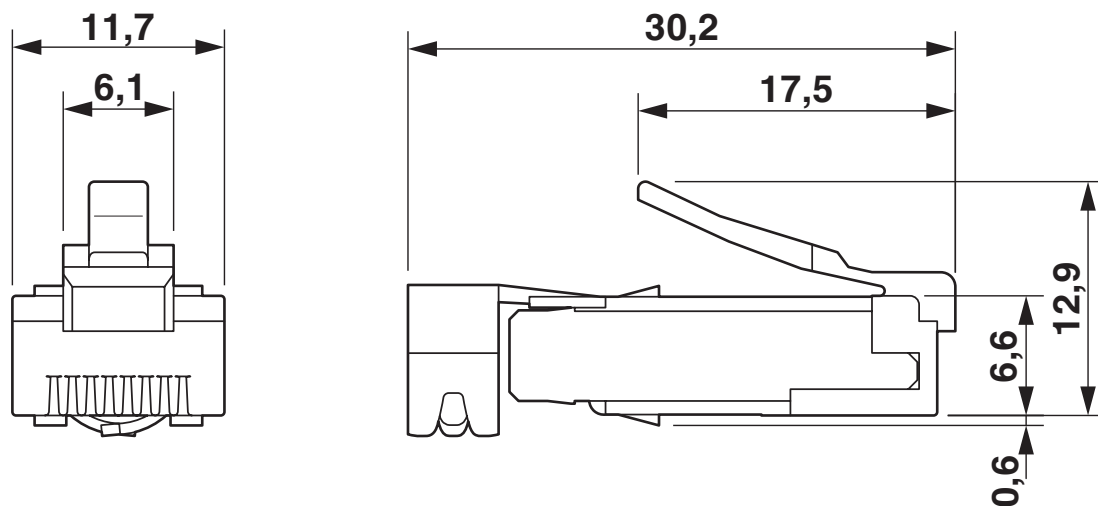
Drawings

Dimensional drawing



RJ45 connector, IP20

Dimensional drawing



RJ45 male insert

CUC-STD-C1PGY-S/R4E8:1 - RJ45 connector



1414382

<https://www.phoenixcontact.com/us/products/1414382>

Approvals

To download certificates, visit the product detail page: <https://www.phoenixcontact.com/us/products/1414382>



EAC

Approval ID: B.01687

CUC-STD-C1PGY-S/R4E8:1 - RJ45 connector



1414382

<https://www.phoenixcontact.com/us/products/1414382>

Classifications

ECLASS

| | |
|-------------|----------|
| ECLASS-11.0 | 27440101 |
| ECLASS-12.0 | 27440113 |
| ECLASS-13.0 | 27440113 |

ETIM

| | |
|----------|----------|
| ETIM 8.0 | EC002636 |
|----------|----------|

UNSPSC

| | |
|-------------|----------|
| UNSPSC 21.0 | 39121400 |
|-------------|----------|

CUC-STD-C1PGY-S/R4E8:1 - RJ45 connector



1414382

<https://www.phoenixcontact.com/us/products/1414382>

Environmental Product Compliance

| | |
|------------|---|
| China RoHS | Environmentally friendly use period: unlimited = EFUP-e |
| | No hazardous substances above threshold values |

CUC-STD-C1PGY-S/R4E8:1 - RJ45 connector

1414382

<https://www.phoenixcontact.com/us/products/1414382>



Accessories

VS-CT-RJ45-H - Crimping pliers

1653265

<https://www.phoenixcontact.com/us/products/1653265>



Crimp tool, pliers with die, for RJ45 pin inserts VS-08-ST-H...-RJ45 and VS-08-RJ45-10G/C

Phoenix Contact 2023 © - all rights reserved
<https://www.phoenixcontact.com>

Phoenix Contact USA
586 Fulling Mill Road
Middletown, PA 17057, United States
(+717) 944-1300
info@phoenixcon.com