

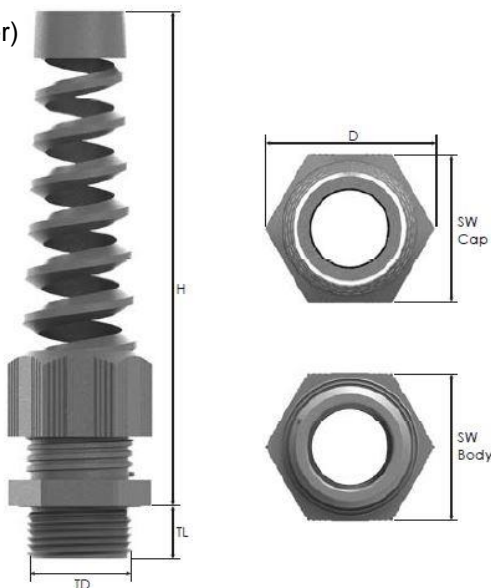
ALPHA WIRE COMPANY
CUSTOMER PRODUCT SPECIFICATION

Part Numbers: PMS12-PMS25
Spec Number: PMS METRIC
Page 1 of 1 Pages

Issue: 2
Issue Date: 02/27/2018
Effective Date: 02/27/2018

A. Technical Details

- 1) Material
 - a) Body PA 6 (Polyamide 6)
 - b) Cap PA 6 (Polyamide 6)
 - c) Seal CR (Chloroprene Rubber)
- 2) Color
 - a) Gray, RAL 7001
 - b) Black, RAL 9005
- 3) Protection Class
 - a) IP 68 5 Bar, 30 min
 - b) IP 66
- 4) Flammability
 - a) V2 (According to UL94)
- 5) Temperature Rating
 - a) Permanent -20°C to +100°C
 - b) Intermittent -30°C to +150°C
- 6) Thread Type
 - a) Metric according to EN 60423
- 7) Approvals
 - a) UL UL 514
 - b) CSA CSA C22.2



Size	Clamping Range Ø min-max mm	Thread Length TL mm	Thread Ø TD mm	Spanner Width		Outer Ø D mm	Height H mm	Part Number
				SW CAP mm	SW BODY mm			
M-12x1.5	3,0-6,5	8	12,0	15	15	17,1	57,0	PMS12
M-16x1.5	5,0-10,0	10	16,0	22	22	25,2	81,5	PMS16
M-20x1.5	10,0-14,0	10	20,0	27	27	31,0	106,0	PMS20
M-25x1.5	13,0-18,0	10	25,0	33	33	38,0	117,5	PMS25

B. Packaging Requirements

- 1) Standard Package 10 glands per package

Although Alpha Wire ("Alpha") makes every reasonable effort to ensure their accuracy at the time of publication, information and specifications described herein are subject to errors or omissions and to changes without notice, and the listing of such information and specifications does not ensure product availability.
Alpha provides the information and specifications herein on an "AS IS" basis, with no representations or warranties, whether express, statutory or implied. In no event will Alpha be liable for any damages (including consequential, indirect, incidental, special, punitive, or exemplary) whatsoever, even if Alpha has been advised of the possibility of such damages, whether in an action under contract, negligence or any other theory, arising out of or in connection with the use, or inability to use, the information or specifications described herein.

Mouser Electronics

Authorized Distributor

Click to View Pricing, Inventory, Delivery & Lifecycle Information:

[Alpha Wire:](#)

[PMS25 SL080](#) [PMS16 SL080](#) [PMS12 SL080](#) [PMS20 SL080](#)