

BB-9SGM

DB9 Male Low-profile Gender Changer



Features

- Convert a device's DB9 female port to a DB9 male port
- Extend cabling run by connecting two DB9 cables
- Convenient, inexpensive in-the-field adaption tool
- Features two DB9 male connectors
- Slim 1.9 cm thickness easily fits in tight spaces
- Gold-plated contacts for high reliability

Introduction

The versatile Model BB-9SGM gender reverser quickly and easily changes a port gender or joins two cables together. Save the cost of buying a new cable by changing the port gender and using a cable you already have. Quickly join two like cables together to extend a cable run.

The gender changer is molded and fully shielded, preventing EMI/RFI interference from office equipment.

Small, low-profile size saves space in installations – and in your toolbox. Keep a few on hand for field service calls.

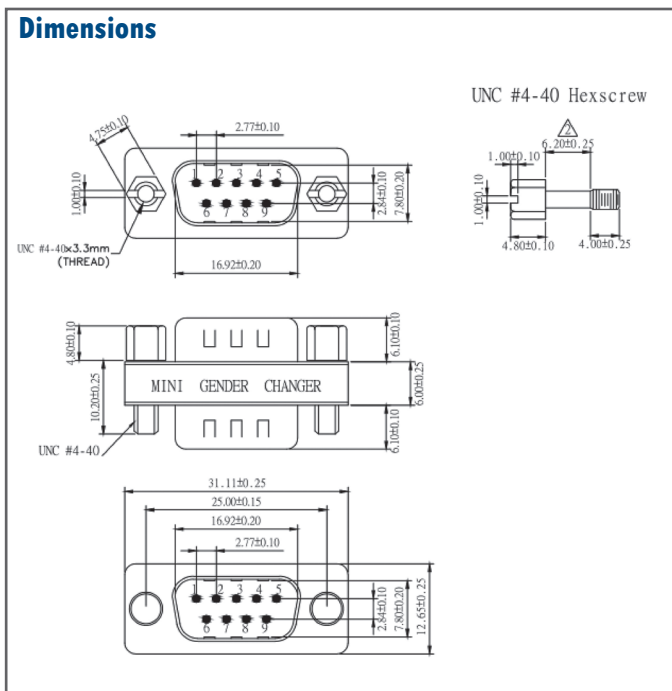
Ordering Information

Model No.	Description
BB-9SGM	DB9 Male Low-profile Gender Changer

Connector Pin-outs

DB9 Male	DB9 Male
1	1
2	2
~	
8	8
9	9
GND	GND

Dimensions



Specifications

Connector 1	DB9 male
Connector 2	DB9 male
Contact Plating	Gold plated over nickel
Contact	Brass
Housing Material	Tin-plated shell
Insulator	PBT glass fiber reinforced (blue face)
Dimensions	31.1 x 12.7 x 17.6 mm
Compliances	RoHS

Mouser Electronics

Authorized Distributor

Click to View Pricing, Inventory, Delivery & Lifecycle Information:

[B+B SmartWorx:](#)

[9SGM](#) [BB-9SGM](#)