

MS3115 Dummy Storage Receptacle Bayonet Coupling



MATING CONNECTOR
MIL-DTL-26482

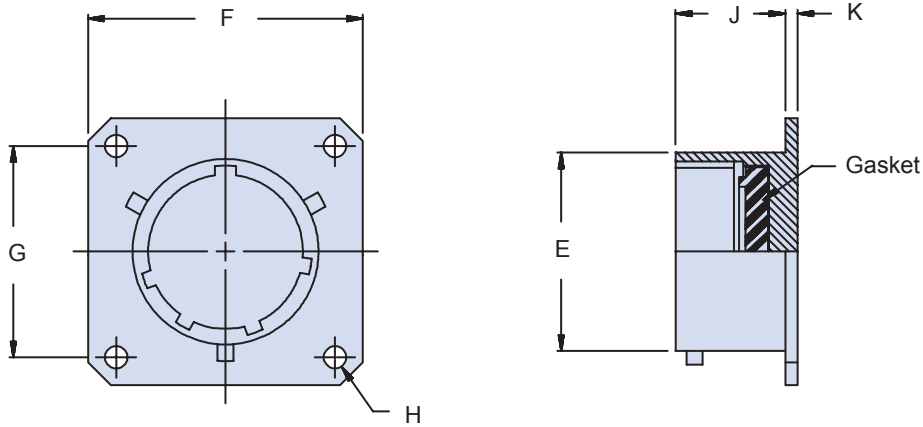
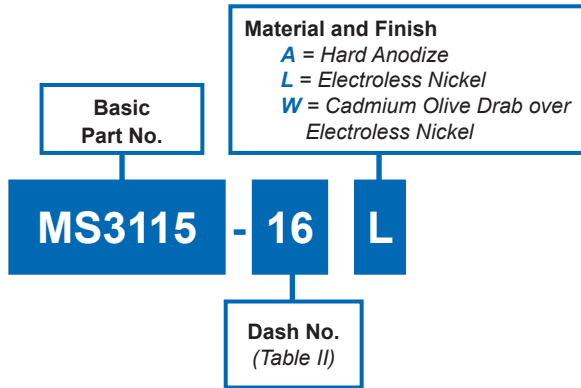


TABLE I: Dash Number, Cable Entry and Backshell Dimensions

Shell Size	E		F		G		Ø H		J		K	
	±.003	(.1)	Max	Dim	±.005	(0.1)	±.016	(.4)	±.016	(.4)		
8	.471	(12.0)	.828	(21.0)	.594	(15.1)	.120	(3.0)	.478	(12.1)	.062	(1.6)
10	.588	(14.9)	.954	(24.2)	.719	(18.3)	.120	(3.0)	.478	(12.1)	.062	(1.6)
12	.748	(19.0)	1.047	(26.6)	.812	(20.6)	.120	(3.0)	.478	(12.1)	.062	(1.6)
14	.873	(22.2)	1.141	(29.0)	.906	(23.0)	.120	(3.0)	.478	(12.1)	.062	(1.6)
16	.998	(25.3)	1.234	(31.3)	.969	(24.6)	.120	(3.0)	.478	(12.1)	.062	(1.6)
18	1.123	(28.5)	1.328	(33.7)	1.062	(27.0)	.120	(3.0)	.478	(12.1)	.062	(1.6)
20	1.248	(31.7)	1.453	(36.9)	1.156	(29.4)	.120	(3.0)	.572	(14.5)	.094	(2.4)
22	1.373	(34.9)	1.578	(40.1)	1.250	(31.8)	.120	(3.0)	.572	(14.5)	.094	(2.4)
24	1.498	(38.0)	1.703	(43.3)	1.375	(34.9)	.147	(3.7)	.605	(15.4)	.094	(2.4)

APPLICATION NOTES

1. Assembly to be identified with manufacturer's name and part number, space permitting.
2. For complete dimensions, see the applicable Military Specification.
3. Metric dimensions (mm) are in parentheses.

Dimensions in inches (millimeters) and are subject to change without notice.