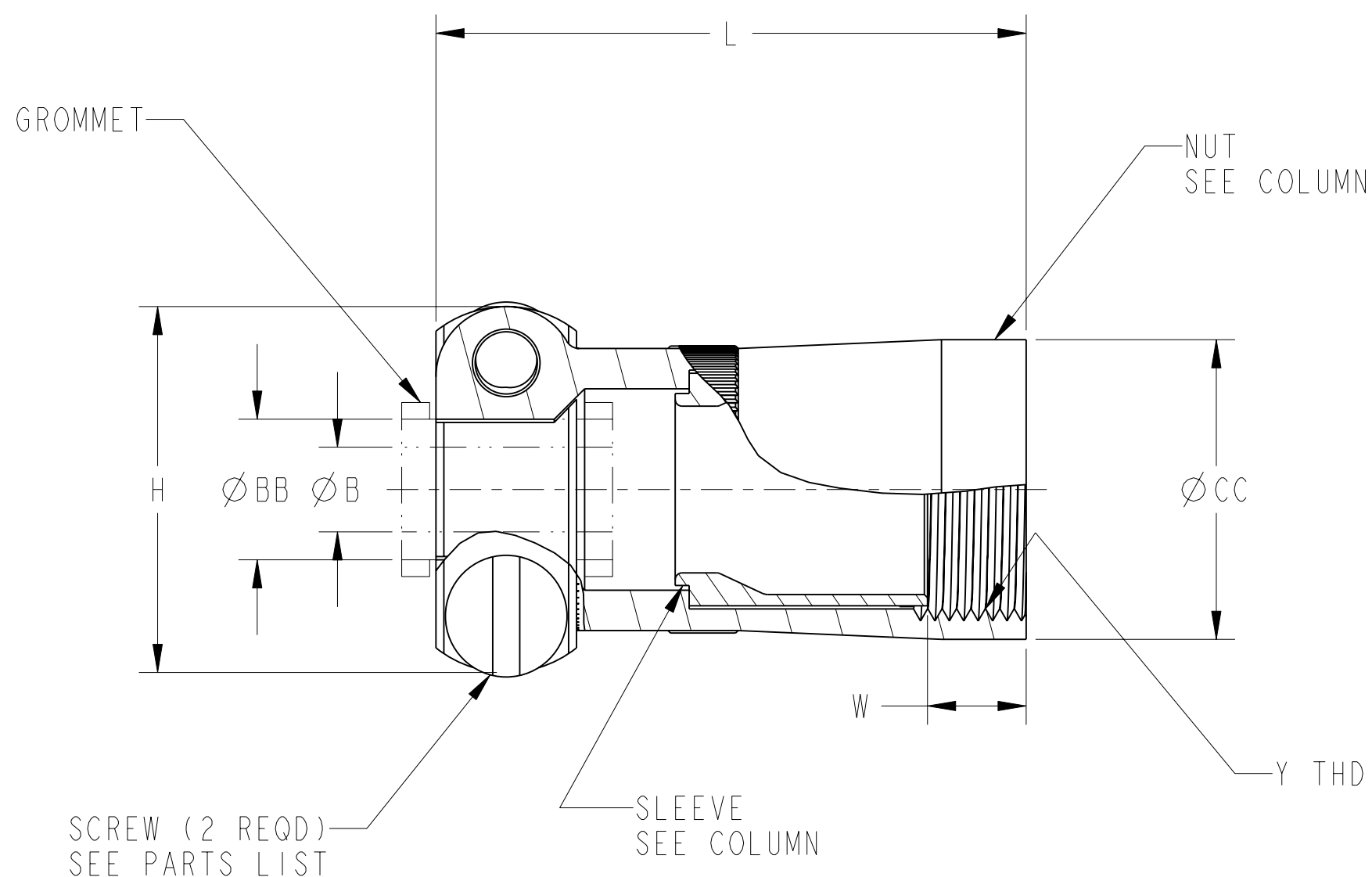
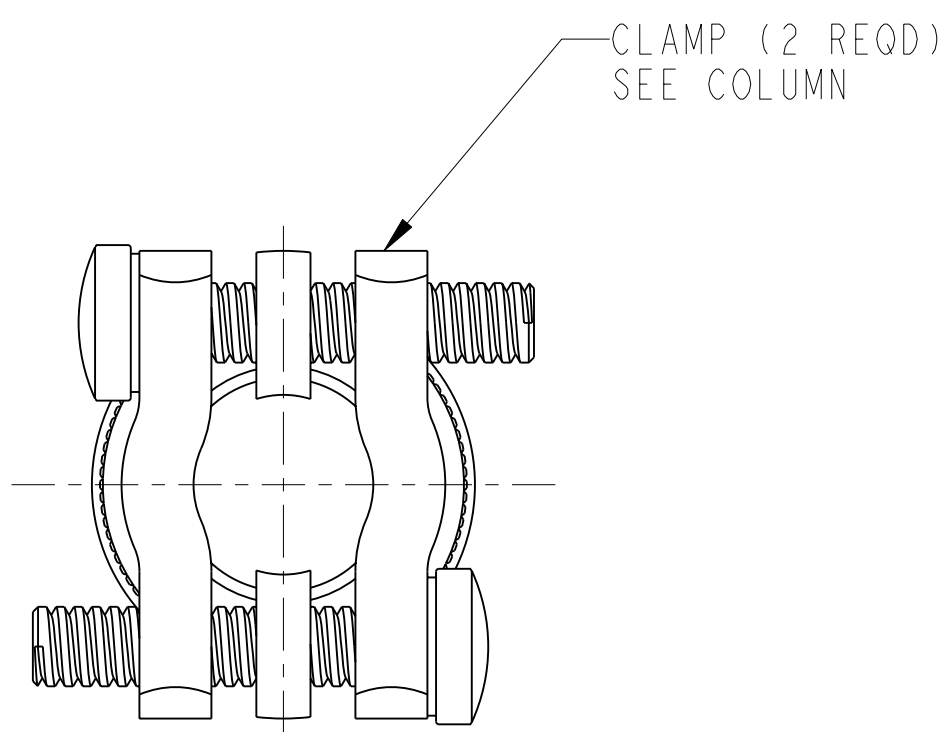


REV. D	SHEET 1 OF 2	DOCUMENT NO. 10-189010
REVISIONS		
LTR	DESCRIPTION	DATE
D	(CL 11) SPECIFICATION CHANGE PER ECN B6617 SEE PREVIOUS REVISIONS FOR REVISION HISTORY	6/19/13

DOCUMENT NO. 10-189010

SHEET 1 OF 2

REV. D



SEE SHEET 2.

NOTES:

THE USE OF THIS DOCUMENT IS UNLIMITED. HOWEVER, DOCUMENTS REFERENCED HEREON MAY CONTAIN LIMITED RIGHTS DATA.

N/A
NEXT ASSEMBLY

PRO/ENGINEER INFORMATION
 Pro/e Model Used:
 10-189010-10.ASSEM
 Drawing Name:
 10-189010

UNLESS OTHERWISE SPECIFIED	SPECIFICATIONS	POS	QTY	PART NUMBER	DESCRIPTION	NOTE
LINEAR DIMENSIONS ARE IN INCHES TOLERANCES: .XXXX = $\pm .0005$ ANGLES = $\pm 2^\circ$.XXX = $\pm .010$.XX = $\pm .03$.X = $\pm .1$ DIM. & TOL. PER ASME Y14.5M; DRM PER MIL-DTL-31000; OTHER Amphenol Stds. PER 9-3800 LEGENDS: = FLAG NOTE CALL OUT REFERENCE ONLY	MATERIAL SPEC. N/A	APPROVALS		DATE	PARTS LIST	
	PROCESS SPEC. N/A	PREPARED BY: MANLEY ENGINEER IN CHARGE: HORTON DESIGN MANAGER: HARRISON DESIGN ACTIVITY GROUP: MIL-AERO 11/12/58 THIRD ANGLE PROJECTION	AMPHENOL CORPORATION 40-60 DELAWARE AVENUE SIDNEY, N.Y. 13838 CLAMP ASSEMBLY, CABLE STRAIN RELIEF, ELECTRICAL CONNECTOR, TYPE CE ()			
		SIZE	CAGE CODE	DOCUMENT NO.	REV.	
		C	77820	10-189010	D	
		SCALE: 3.0	REF. 10-101971	SHEET 1 OF 2		

FORMAT: C-U-E-I

DOCUMENT NO. 10-189010

SHEET 1 OF 2

REV. D

Eng PDM Information For Reference Only

SHEET 1 OF 2

DOCUMENT NO. 10-189010

REV. D

DOCUMENT NO. 10-189010

SHEET 2 OF 2

REV. D

C

B

A

FORMAT: C-U-E-I

ASSEMBLY NUMBER	DETAILS			H MAX	L	ØBB +.000 -.010	ØCC	Y THREAD REF SIZE CLASS 2B	W +.005 -.010	SCREW SIZE	ACCESSORY (NOT PART OF STANDARD ASSY) GROMMET	
	NUT	SLEEVE	CLAMP								PART NO.	ØB
10-189010-8 ()	10-189009-8 ()	10-454397-8	10-130511-8 ()	.775	1.310	.250	.540	.4375-28 UNEF	.219	6-32 NC	10-36565-101	.125
10-189010-10 ()	10-189009-10 ()	10-454397-10	10-130511-10 ()	.837	1.310	.312	.665	.5625-24 NEF	.219	6-32 NC	10-36565-122	.188
10-189010-12 ()	10-189009-12 ()	10-454397-12	10-130511-12 ()	.963	1.310	.438	.793	.6875-24 NEF	.219	6-32 NC	10-36565-143	.312
10-189010-14 ()	10-189009-14 ()	10-454397-14	10-130511-14 ()	1.087	1.310	.562	.910	.8125-20 UNEF	.219	6-32 NC	10-36565-163	.375
10-189010-16 ()	10-189009-16 ()	10-454397-16	10-130511-16 ()	1.150	1.442	.624	1.037	.9375-20 UNEF	.219	6-32 NC	10-36565-183	.500
10-189010-18 ()	10-189009-18 ()	10-454397-18	10-130511-18 ()	1.400	1.442	.750	1.155	1.0625-18 NEF	.219	8-32 NC	10-36565-203	.625
10-189010-20 ()	10-189009-20 ()	10-454397-20	10-130511-18 ()	1.400	1.411	.750	1.281	1.1875-18 NEF	.313	8-32 NC	10-36565-203	.625
10-189010-22 ()	10-189009-22 ()	10-454397-22	10-130511-20 ()	1.587	1.411	.938	1.408	1.3125-18 NEF	.313	8-32 NC	10-36565-244	.750
10-189010-24 ()	10-189009-24 ()	10-454397-24	10-130511-22 ()	1.681	1.411	1.000	1.533	1.4375-18 NEF	.313	8-32 NC	10-36565-232	.800



1. TO COMPLETE ASSEMBLY NO. AND DETAIL NO. ADD APPLICABLE LAST DIGIT SUFFIX NO. FOR DESIRED FINISH:

- | | |
|--------------------------------------|------------|
| CHROMATE TREAT | SUFFIX-XX0 |
| BRIGHT CADMIUM PLATE | SUFFIX-XX1 |
| BLACK ANODIZE | SUFFIX-XX2 |
| CADMIUM PLATE OLIVE DRAB | SUFFIX-XX3 |
| GRAY ANODIZE | SUFFIX-XX4 |
| ANODIC COATING | SUFFIX-XX5 |
| | |
| NICKEL CADMIUM | SUFFIX-XX7 |
| BRIGHT NICKEL | SUFFIX-XX8 |
| OLIVE DRAB CADMIUM PLATE NICKEL BASE | SUFFIX-XX9 |
| NICKEL ALLOY PLATE | SUFFIX-XXG |
| BLACK ZINC CONDUCTIVE ALLOY PLATE | SUFFIX-XXX |

NOTES:

THE USE OF THIS DOCUMENT IS UNLIMITED. HOWEVER, DOCUMENTS REFERENCED HEREON MAY CONTAIN LIMITED RIGHTS DATA.

10-189010
SHEET 2 OF 2
REV. D
Eng. PDM Information For Reference Only
REVISION D
VERSION 3