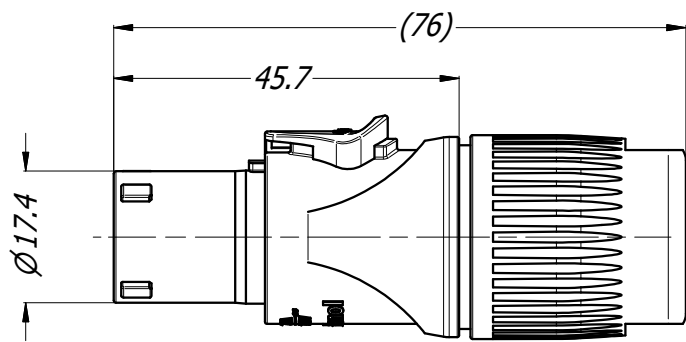
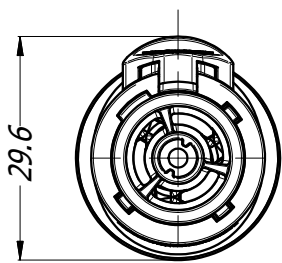
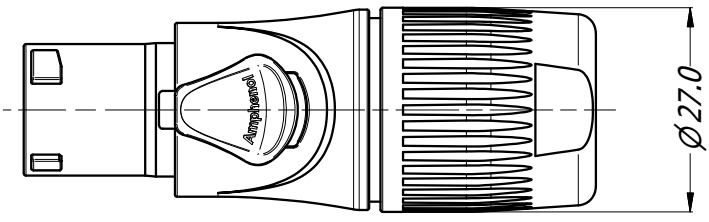


3D VIEW
3:4



NOTES:
 1. CABLE OD RANGE:
 - SMALL GROMMET: 7.5 - 10.0 mm OD
 - MEDIUM GROMMET: 9.5 - 13.0 mm OD
 - BIG GROMMET: 12.7 - 16.0 mm OD
 2. BACKSHELL TORQUE: 3.7 Nm

UNLESS OTHERWISE SPECIFIED TOLERANCE TO BE		THIS DOCUMENT IS THE PROPERTY OF AMPHENOL AUSTRALIA PTY. LTD. NO PART THEREOF MAY BE REPRODUCED AND USED WITHOUT THE PRIOR WRITTEN CONSENT OF THE OWNER.			
LINEAR	ANGULAR	MATERIAL:	DRN:	T.N	DATE: 26/07/19
X ± 0.5	X' ± 1		CKD:	P.M	DATE: 26/07/19
X.X ± 0.1	X.X' ± 30'		APP'D:	P.M	DATE: 26/07/19
X.X ± 0.05	X.X" ± 15'	FINISH:	SCALE:	1:1	SIZE: A4
BREAK ALL SHARP EDGES AND REMOVE ALL BURRS		THIRD ANGLE PROJECTION			
DO NOT SCALE					
DIMENSIONS IN MILLIMETRES					

Amphenol		Amphenol Australia Pty.Ltd, 22 Industry Blvd, Carrum Downs VIC 3201	
TITLE:	CABLE CONNECTOR FEMALE HPT SERIES CABLE OD 7.5 -16.0 mm	PART No:	HPT-3-FJ
		DRAWING No.	55011362-000-2
		REV	1
		SHEET	2/2