

FIGURE 1

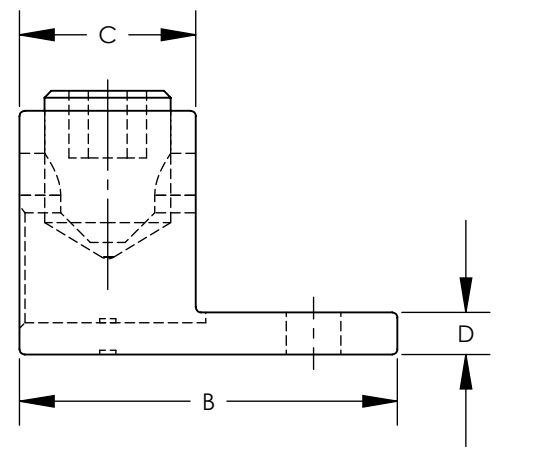
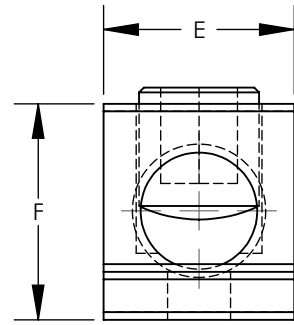
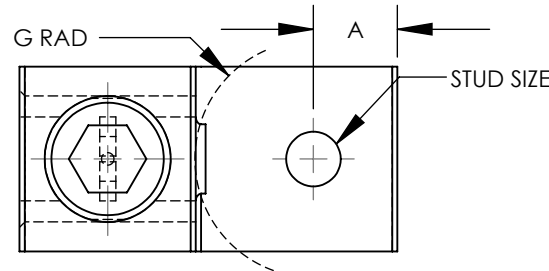
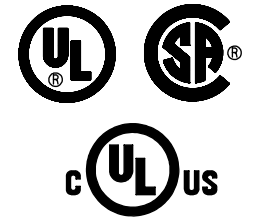


FIGURE 2



NOTES:

1. MATERIAL:  
BODY - ALUMINUM, TIN PLATED  
SCREW - ALUMINUM, TIN PLATED
2. UL LISTED & CSA CERTIFIED FOR USE UP TO 600V & TEMPERATURE RATED 90°C (AL9CU)  
NOTE: LAMA350-38-QY, LAMA500S-38-6Y, & LAMA600-38-6Y ARE cULus.
3. DUAL RATED FOR USE WITH COPPER OR ALUMINUM STRANDED CODE CONDUCTOR
4. THESE PARTS ARE RoHS COMPLIANT
5. USE OF OXIDE INHIBITING JOINT COMPOUND LIKE PANDUIT CMP-100 RECOMMENDED FOR PAD TO PAD AND CONDUCTOR SURFACES
6. SEE PACKAGING LABEL FOR TIGHTENING TORQUE INFORMATION
7. PKG QTY:  
Q = 25  
6 = 6



PART NUMBER	FIG.	WIRE RANGE COPPER/ALUMINUM	WIRE STRIP LENGTH IN[mm]	STUD SIZE IN	DIMENSIONS - IN [mm] +/- .02 [.5]							HEX KEY*
					A	B	C	D	E	F	G	
LAMA300-56-QY	1	6 AWG - 300kcmil	1.00 [25.4]	5/16	.45 [11.4]	2.00 [50.8]	1.00 [25.4]	.25 [6.4]	1.00 [25.4]	1.13 [28.7]	.55 [14.0]	5/16
LAMA350-38-QY	1	6 AWG - 350kcmil	1.13 [28.6]	3/8	.50 [12.7]	2.26 [57.4]	1.13 [28.6]	.25 [6.4]	1.13 [28.6]	1.25 [31.7]	.62 [15.8]	5/16
LAMA500-38-6Y	1	4 AWG - 500kcmil	1.22 [31.0]	3/8	.88 [22.2]	2.84 [72.0]	1.22 [31.0]	.33 [8.3]	1.50 [38.0]	1.58 [40.0]	.74 [18.8]	1/2
LAMA600-38-6Y	1	2 AWG - 600kcmil	1.38 [35.1]	3/8	.63 [15.9]	3.18 [80.9]	1.38 [35.1]	.44 [11.1]	1.60 [40.6]	1.57 [39.8]	1.17 [29.7]	1/2
LAMA600S-38-6Y	2	4 AWG - 600kcmil	1.31 [33.3]	3/8	.63 [16.0]	2.81 [71.4]	1.31 [33.3]	.31 [7.9]	1.38 [35.1]	1.81 [46.0]	.88 [22.4]	3/8
LAMA1000-58-6Y	1	500kcmil - 1000kcmil	1.63 [41.3]	5/8	.81 [20.6]	3.50 [88.9]	1.63 [41.3]	.50 [12.7]	1.75 [44.5]	1.94 [49.2]	1.06 [27.0]	3/8

\* HEX SIZE MAY DIFFER FROM CHART. DIFFERENCE IN SIZE WILL NOT AFFECT FIT, FORM, OR FUNCTION OF PART

REV	DATE	BY	CHK	APR	DESCRIPTION	ECN	TITLE	ITEM REVISION NAME	DRAWING NUMBER	SIZE
							LAMA SERIES 300kcmil THRU 1000kcmil ALUMINUM MECHANICAL LUGS CUSTOMER DRAWING	10N006AS/11	10N006AS-NC	B
11	9/17	JHNU	JHNU	RGB	REVISED DIMENSION B FOR LAMA500-38-6Y: 2.84 WAS 2.81 REVISED DIMENSION D FOR LAMA500-38-6Y: .33 WAS .31 REVISED DIMENSION F FOR LAMA500-38-6Y: 1.58 WAS 1.56 REVISED DIMENSION G FOR LAMA500-38-6Y: .74 WAS .71	10N006AS-NC	UNLESS OTHERWISE SPECIFIED, DIMENSIONAL TOLERANCES ARE: IN [mm] .X ± .XXX ± .XX ± ANGLES ±	10N006AS-NC	10N006AS-NC	
10	11/15	JHNU	JHNU	RGB	REVISED NOTE 2: LAMA300, LAMA600S, LAMA1000 ARE UL/CSA LAMA350, LAMA500, LAMA600, ARE cULus	10N006AS-NC	THIRD ANGLE PROJECTION	10N006AS-NC	10N006AS-NC	
09	11/14	JHNU	JHNU	RGB	REVISED E DIMENSION FOR LAMA600-38-6Y: 1.60 WAS 1.50	10N006AS-NC		10N006AS-NC	10N006AS-NC	
08	3/14	JHNU	JHNU	RGB	REVISED B DIMENSION FOR LAMA350-38-QY: 2.26 WAS 2.25	10N006AS-NC		10N006AS-NC	10N006AS-NC	
07	2/13	JHNU	JHNU	RGB	REVISED TITLE BLOCK	10N006AS-NC		10N006AS-NC	10N006AS-NC	
								2/06	NONE	SHEET 1 OF 1