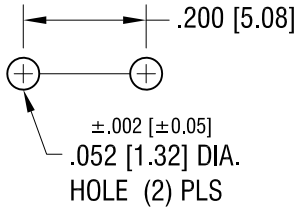
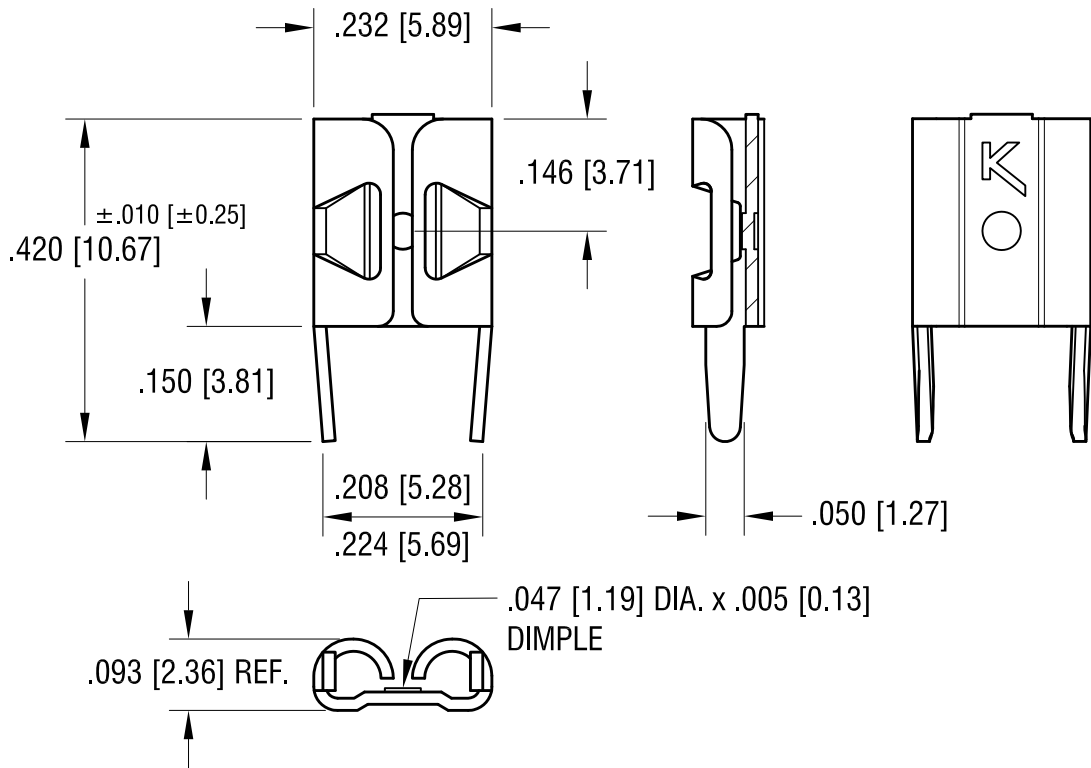


THIS DOCUMENT IS THE PROPERTY OF  
KEYSTONE ELECTRONICS CORP. AND  
SHALL NOT BE REPRODUCED, DISTRIBUTED  
OR USED AS A BASIS FOR MANUFACTURE  
WITHOUT PRIOR WRITTEN PERMISSION  
FROM KEYSTONE ELECTRONICS CORP.

**MOUNTING DETAIL**



**ACTUAL SIZE**



11.25.19	CHANGE AS PER ECN 19-089	L
5.01.19	CHANGE AS PER ECN 19-046	K
12.05.13	CHANGE AS PER ECN 13-110	I
9.10.12	CHANGE AS PER ECN 12-135	H
2.28.08	CHANGE AS PER ECN 08-092	G
DATE	DESCRIPTION	REV.

<b>KEYSTONE ELECTRONICS CORP.</b>			
www.keyelco.com • NEW HYDE PARK, NY 11040 • Tel (516) 328-7500			
PART NAME <b>.187 x .020 PC QUICK-FIT TERMINAL</b>			
MATERIAL <b>.016 [0.40] TH'K BRASS</b>			
FINISH <b>TIN NICKEL PLATE</b>		DRN BY <b>BOONE</b>	DATE <b>1.20.95</b>
		APP'D <b>LN</b>	SCALE <b>4X</b>
TOLERANCES	INCH [MM]	CODE	DWG NO.
DECIMAL	<b>± .005 [± 0.13]</b>	<b>C</b>	<b>3548</b>
ANGULAR	<b>± 1°</b>		
UNLESS OTHERWISE SPECIFIED			

# Mouser Electronics

Authorized Distributor

Click to View Pricing, Inventory, Delivery & Lifecycle Information:

[Keystone Electronics:](#)

[3548](#)