

Customer Information Sheet

DRAWING No.: S8131-46R

SHEET 2 OF 2

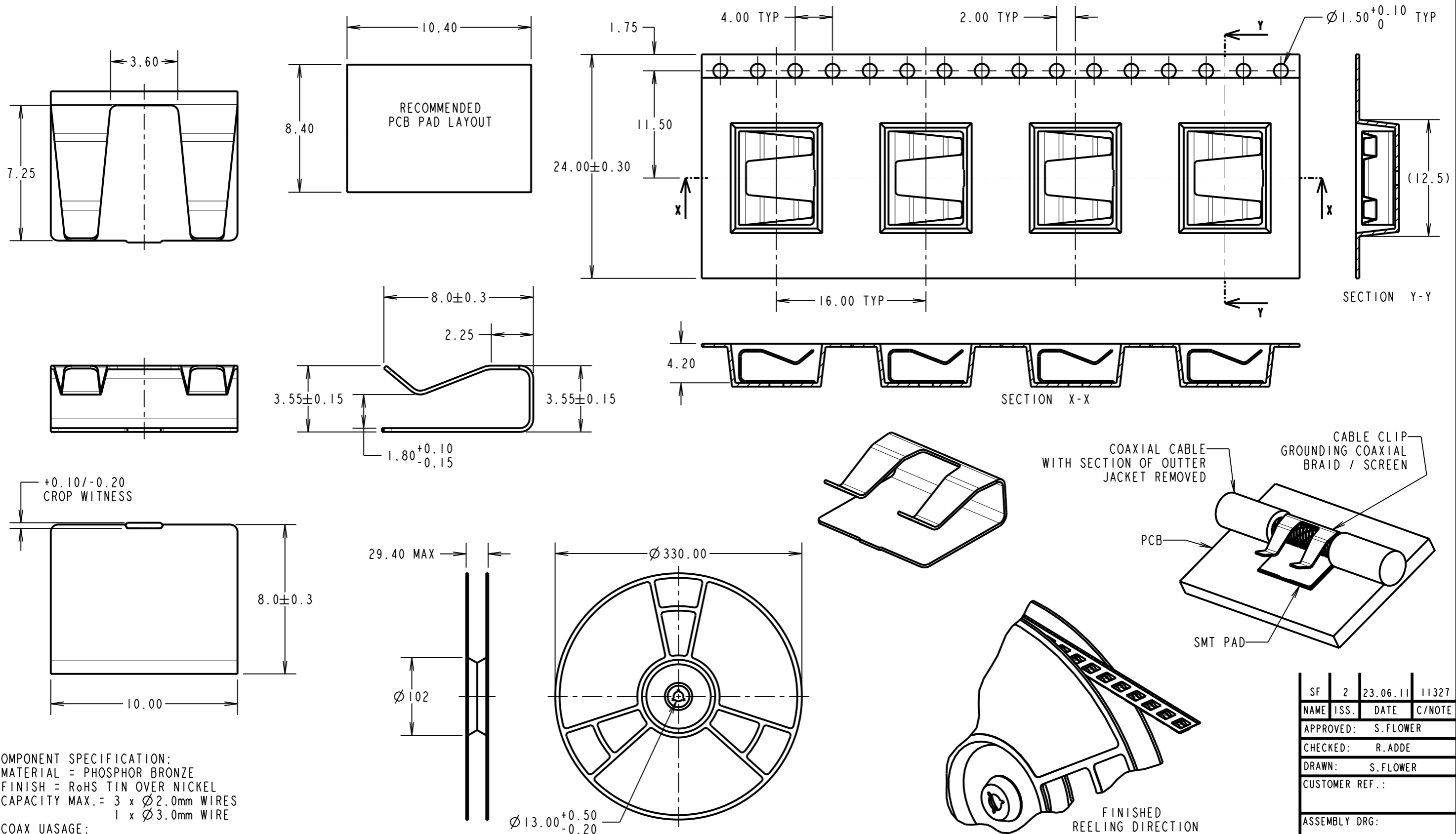
IF IN DOUBT - ASK

©

NOT TO SCALE

THIRD ANGLE PROJECTION

ALL DIMENSIONS IN mm



COMPONENT SPECIFICATION:
 MATERIAL = PHOSPHOR BRONZE
 FINISH = RoHS TIN OVER NICKEL
 CAPACITY MAX. = 3 x Ø2.0mm WIRES
 1 x Ø3.0mm WIRE

COAX USAGE:
 SUITABLE FOR USE AS A COAXIAL BRAID/SCREEN
 GROUNDING CLIP WITH RG58 TYPE CABLE.

NOTES:

- QUANTITY OF COMPONENTS PER REEL = 800.
- THIS PRODUCT IS TAPED AND REELED IN ACCORDANCE WITH EIA-481 (ELECTRONICS INDUSTRIES ASSOCIATION).

SF	2	23.06.11	11327
NAME	ISS.	DATE	C/NOTE
APPROVED:		S.FLOWER	
CHECKED:		R.ADDE	
DRAWN:		S.FLOWER	
CUSTOMER REF.:			
ASSEMBLY DRG:			

HARWIN		THIS DRAWING AND ANY INFORMATION OR DESCRIPTIVE MATTER SET OUT HEREON ARE CONFIDENTIAL AND COPYRIGHT PROPERTY OF THE HARWIN GROUP AND MUST NOT BE DISCLOSED, LOANED, COPIED OR USED FOR MANUFACTURING, TENDERING OR FOR ANY OTHER PURPOSE WITHOUT THEIR WRITTEN PERMISSION.	TOLERANCES X. = ±1mm X.X = ±0.25mm X.XX = ±0.10mm X.XXX = ±0.01mm ANGLES = ±5° UNLESS STATED	MATERIAL: SEE ABOVE	TITLE: SMT CABLE CLIP Ø2.0-3.0mm / RG58 COAX GROUNDING CLIP IN TAPE & REEL
HARWIN USA TEL: 603 893 5376 FAX: 603 893 5396 mis@harwin.com	HARWIN Europe (UK) TEL: 023 9231 4545 FAX: 023 9231 4590 mis@harwin.co.uk		HARWIN Asia TEL: +65 6 779 4909 FAX: +65 6 779 3868 mis@harwin.com.sg	FINISH: S/AREA: mm ²	DRAWING NUMBER: S8131-46R

Mouser Electronics

Authorized Distributor

Click to View Pricing, Inventory, Delivery & Lifecycle Information:

[Harwin:](#)

[S8131-46R](#)