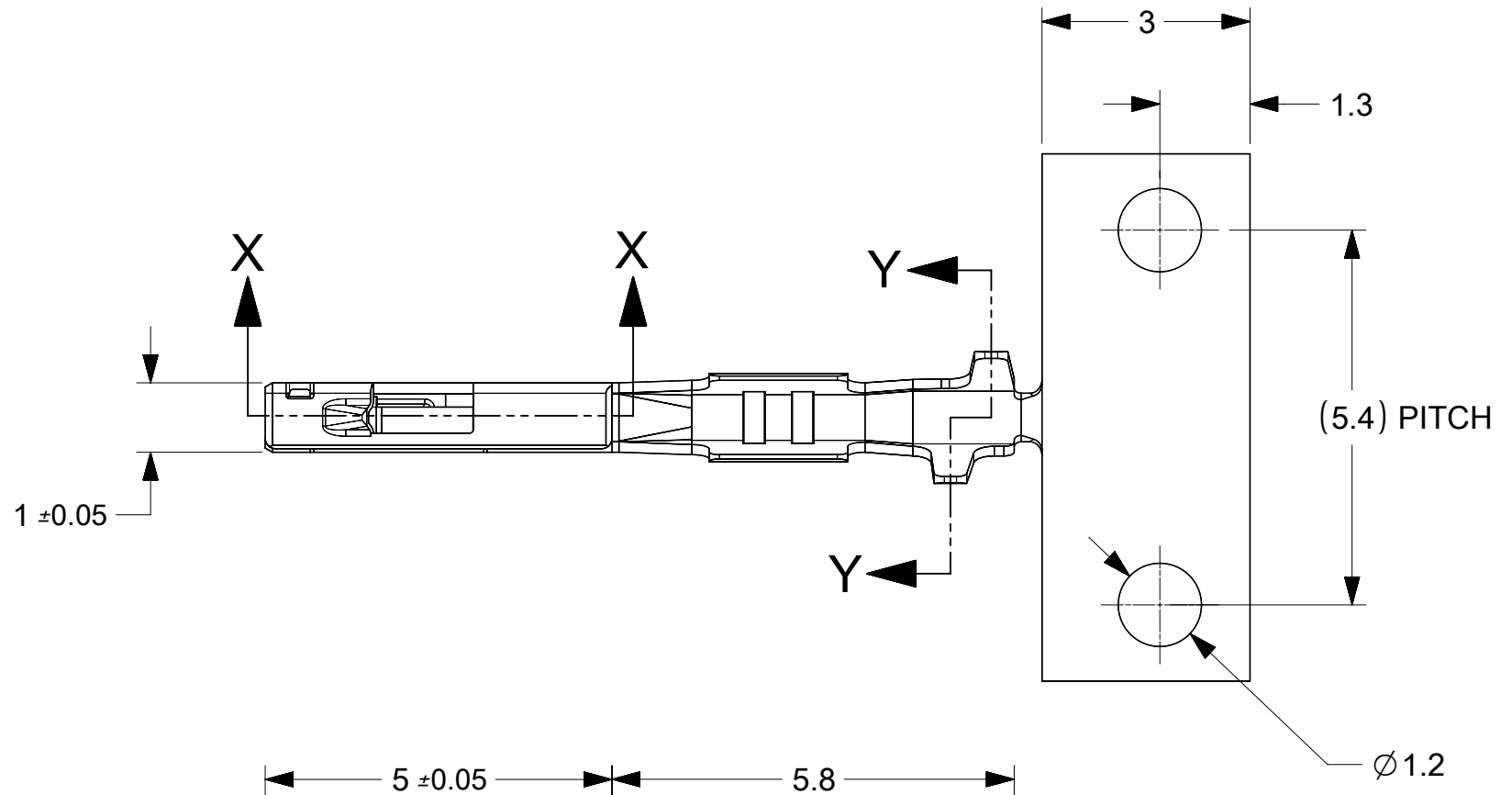
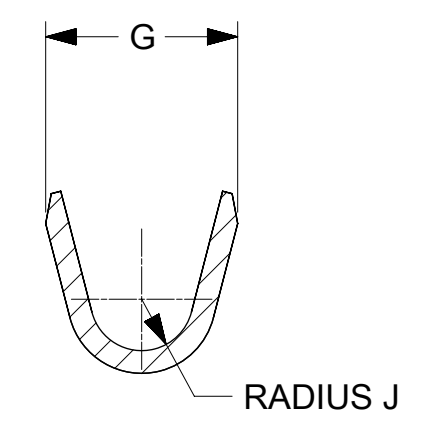


SECTION X-X  
SCALE 10:1  
PARTIAL



SECTION Y-Y  
SCALE 20:1



SECTION Z-Z  
SCALE 20:1

- NOTES: (UNLESS OTHERWISE SPECIFIED)
1. MATERIAL: COPPER ALLOY
  2. PLATING: SEE TABLE 1
  3. PACKAGING PER PK-31301-319
  4. CRIMPING PER AS-560023-001
  5. PROBING THE CONTACT INTERFACE OF THE TERMINAL OR AT ANY POINT ON THE TERMINAL BEAM IS NOT PERMITTED
  6. -0422, -0424 TO BE DISCONTINUED AND REPLACED WITH -0444, -0445  
-0444, -0445 VALIDATED TO USCAR21 REV3  
SECTIONS 4.3, 4.4, & 4.5.2.

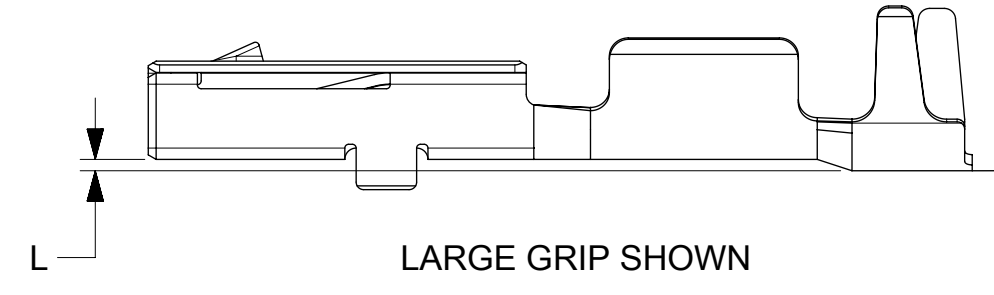
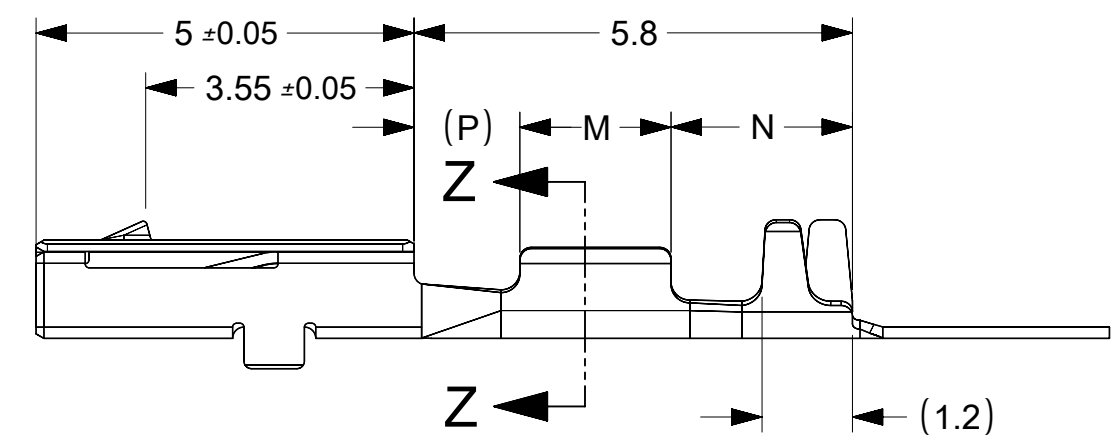
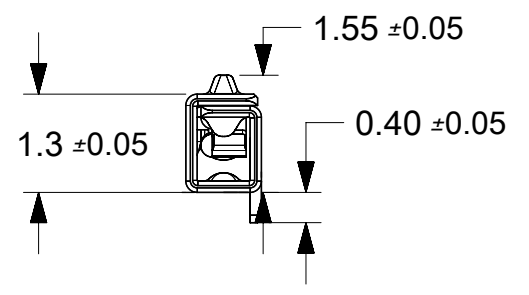


TABLE 1

PART NUMBERS		Plating	STATUS	GRIP CODE	WIRE GAGE mm <sup>2</sup>	INSULATION MAX O.D. mm	DIM G	DIM H	DIM J	DIM K	DIM L	DIM M	DIM N	DIM P
D-WIND (LEFT PAYOFF) DEFAULT	B-WIND (RIGHT PAYOFF)						+0.20 -0.15	±0.20	±0.10	±0.20	±0.05	±0.10	±0.10	REF
560023-0421	560023-0423	Sn	SALEABLE	M	0.22	1.20	1.65	2.25	0.45	0.47	0.00	2.00	2.4	1.4
560023-0422*	560023-0424*	Sn		S	0.13	1.05	1.27	1.90	0.34	0.41	0.00	2.00	2.4	1.4
560023-0444	560023-0445	Sn		S	0.13	1.05	1.32	1.90	0.24	0.41	0.00	2.50	2.2	1.1
560023-0448	560023-0450	Sn		L	0.35	1.40	1.65	2.35	0.40	0.68	0.15	2.50	2.2	1.1
560023-0521	560023-0523	Au	IN VALIDATION	M	0.22	1.20	1.65	2.25	0.45	0.47	0.00	2.00	2.4	1.4
560023-0544	560023-0545	Au		S	0.13	1.05	1.32	1.90	0.24	0.41	0.00	2.50	2.2	1.1
560023-0548	560023-0550	Au	SALEABLE	L	0.35	1.40	1.65	2.35	0.40	0.68	0.15	2.50	2.2	1.1

\*SMALL GRIP CHANGE (SEE NOTE 6)

THIS DRAWING CONTAINS INFORMATION THAT IS PROPRIETARY TO MOLEX ELECTRONIC TECHNOLOGIES, LLC AND SHOULD NOT BE USED WITHOUT WRITTEN PERMISSION

QUALITY SYMBOLS	EC NO: 114242	DRWN: JBURGIO	CHKD: TOMSMITH	REV: APPR: 2017/03/10	GENERAL TOLERANCES (UNLESS SPECIFIED)		DIMENSION UNITS		SCALE
					MM	INCH	MM	15:1	
▽ = 0	EC DESCRIPTION	2017/03/07	2017/03/10	H1	4 PLACES ± --- ± ---		DRWN BY		DATE
▽ = 0					3 PLACES ± --- ± ---		TJSMITH		2009/05/02
▽ = 0					2 PLACES ± 0.10 ± ---		CHK'D BY		DATE
▽ = 0					1 PLACES ± 0.10 ± ---		DNICHOLAS		2009/05/20
▽ = 0					0 PLACES ± --- ± ---		APPR BY		DATE
▽ = 0					BMOSE		2009/05/20		
▽ = 0	ANGULAR TOL = 5		DRAWING SIZE		THIRD ANGLE PROJECTION				
▽ = 0	DRAFT WHERE APPLICABLE MUST REMAIN WITHIN DIMENSIONS		C						

CTX50 RECEPTACLE TERMINAL UNSEALED

PRODUCT CUSTOMER DRAWING

SERIES	MATERIAL NUMBER	CUSTOMER
560023	SEE TABLE	GENERAL MARKET
DOCUMENT NUMBER	DOC TYPE	DOC PART
SD-560023-002	PSD	000
SHEET NUMBER	1 OF 2	