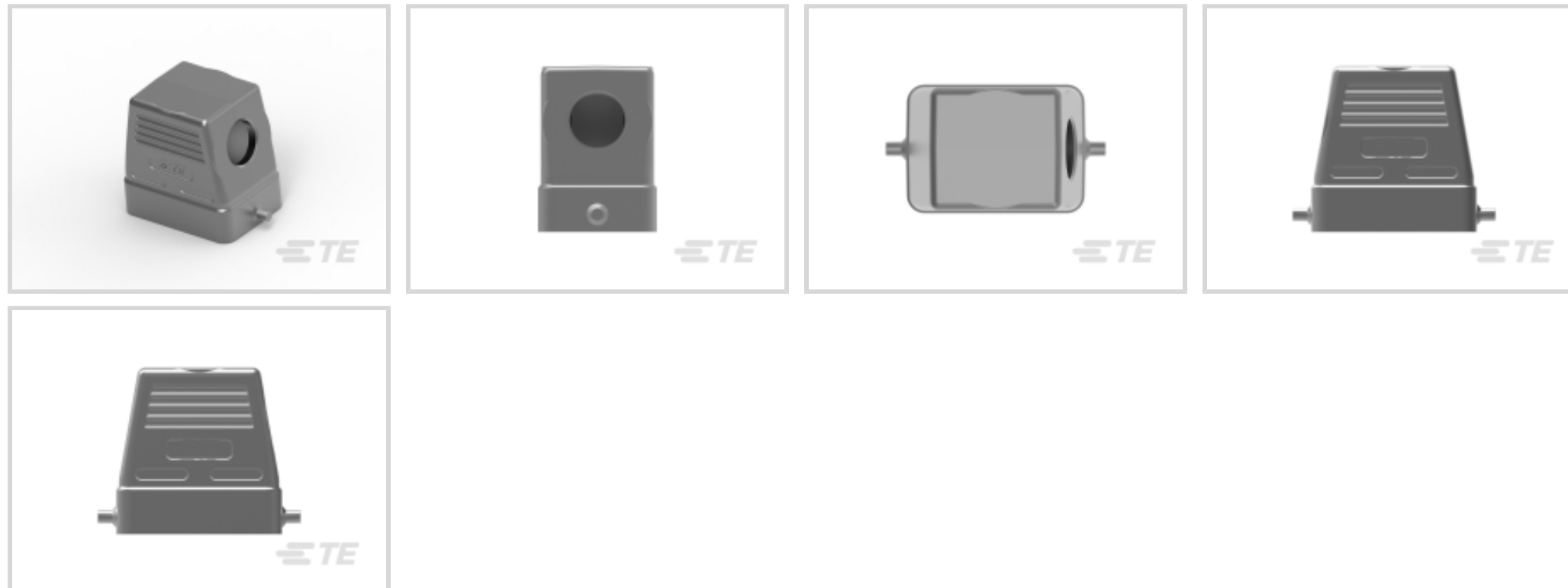




Connectors > Rectangular Connectors > Rectangular Connector Accessories > Hoods



Accessory Type: **Hood**

Entry Style: **Side**

Locking Device Type: **Locking**

Sealable: **Yes**

Circuit Application: **Power & Signal**

Features

Product Type Features

Product Size	3
Product Type	Hood
Accessory Type	Hood
Sealable	Yes

Body Features

Material	Die Cast Aluminum
Entry Style	Side

Mechanical Attachment

Locking Device Location	Hood
Screw & Hole Thread Size	M20
Locking Device Type	Locking

Dimensions

Width	43 mm
Length	60 mm

Usage Conditions

Corrosion Protected	Yes
---------------------	-----

Operation/Application

Circuit Application	Power & Signal
---------------------	----------------

Packaging Features

Packaging Method	Box
------------------	-----

Product Compliance

[For compliance documentation, visit the product page on TE.com>](#)

EU RoHS Directive 2011/65/EU	Compliant
------------------------------	-----------

EU ELV Directive 2000/53/EC	Compliant
-----------------------------	-----------

China RoHS 2 Directive MIIT Order No 32, 2016	No Restricted Materials Above Threshold
---	---

EU REACH Regulation (EC) No. 1907/2006	Current ECHA Candidate List: JUL 2019 (201) Candidate List Declared Against: JAN 2019 (197) Does not contain REACH SVHC
--	---

EU REACH Regulation (EC) No. 1907/2006	Current ECHA Candidate List: JUL 2019 (201) Candidate List Declared Against: JAN 2019 (197)
--	--

Halogen Content	Not Yet Reviewed for halogen content
-----------------	--------------------------------------

Solder Process Capability	Not reviewed for solder process capability
---------------------------	--

Product Compliance Disclaimer

This information is provided based on reasonable inquiry of our suppliers and represents our current actual knowledge based on the information they provided. This information is subject to change. The part numbers that TE has identified as EU RoHS compliant have a maximum concentration of 0.1% by weight in homogenous materials for lead, hexavalent chromium, mercury, PBB, PBDE, DBP, BBP, DEHP, DIBP, and 0.01% for cadmium, or qualify for an exemption to these limits as defined in the Annexes of Directive 2011/65/EU (RoHS2). Finished electrical and electronic equipment products will be CE marked as required by Directive 2011/65/EU. Components may not be CE marked. Additionally, the part numbers that TE has identified as EU ELV compliant have a maximum concentration of 0.1% by weight in homogenous materials for lead, hexavalent chromium, and mercury, and 0.01% for cadmium, or qualify for an exemption to these limits as defined in the Annexes of Directive 2000/53/EC (ELV). Regarding the REACH Regulations, TE's information on SVHC in articles for this part number is still based on the European Chemical Agency (ECHA) 'Guidance on requirements for substances in articles' (Version: 2, April 2011), applying the 0.1% weight on weight concentration threshold at the finished product level. TE is aware of the European Court of Justice ruling of September 10th, 2015 also known as O5A (Once An Article Always An Article) stating that, in case of 'complex object', the threshold for a SVHC must be applied to both the product as a whole and simultaneously to each of the articles forming part of its composition. TE has evaluated this ruling based on the new ECHA "Guidance on requirements for substances in articles" (June 2017, version 4.0) and will be updating its statements accordingly.

Compatible Parts



TE Model / Part #
T3609200102-000
DLX-20-M



TE Model / Part #
T2040062101-000
HE-006-M



TE Model / Part #
T1500063000-000
H6B-AG



TE Model / Part #
T1610062120-000
H6B-SGRS-M20



TE Model / Part #
T1610062220-000
H6B-SGRS-2M20



TE Model / Part #
T1620063120-000
H6B-SDR-M20



TE Model / Part #
T1610063120-000
H6B-SGR-M20



TE Model / Part #
T1610063220-000
H6B-SGR-2M20



TE Model / Part #
T1620063220-000
H6B-SDR-2M20



TE Model / Part #
T1620064120-000
H6B-SDRM-M20



TE Model / Part #
T1620064320-000
H6B-SDRMS-M20




TE Model / Part #
T1620064420-000
H6B-SDRMS-2M20

Also in the Series | HDC IP65



Rectangular Connector
Hoods(1219)



Rectangular Connector
Housings(3)

Customers Also Bought



TE Model / Part #
T1500062000-000
H6B-AGS



TE Model / Part #
T3609200102-000
DLX-20-M



TE Model / Part #
T2040063201-000
HE-006-FS



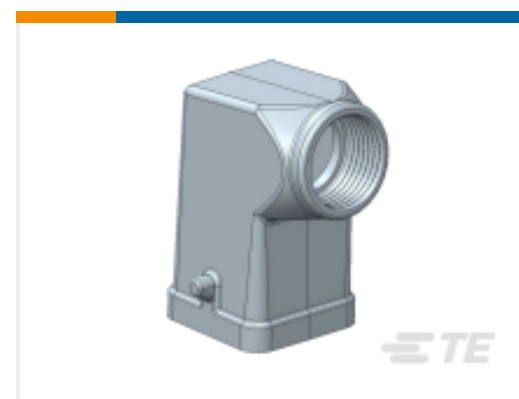
TE Model / Part #
T2070064001-000
H6BN-T2



TE Model / Part #
T1500243000-000
[H24B-AG-LB](#)



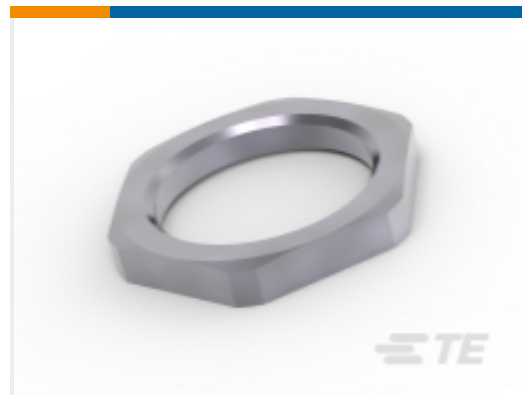
TE Model / Part #
T2040243201-000
[HE-024-FS](#)



TE Model / Part #
T1319030111-000
[H3A-MTS-PG11](#)



TE Model / Part #
T2040243101-000
[HE-024-MS](#)



TE Model / Part #
T3161160050-000
[LN-16-M, M16X1.5](#)



TE Model / Part #
T3609160102-000
[DLX-16-M \(4-8\)](#)

Documents

Product Drawings

[H6B-TS-M20](#)

English

CAD Files

[3D PDF](#)

3D

Customer View Model

[ENG_CVM_CVM_T1310060120-000_A.2d_dxf.zip](#)

English

Customer View Model

[ENG_CVM_CVM_T1310060120-000_A.3d_igs.zip](#)

English

Customer View Model

[ENG_CVM_CVM_T1310060120-000_A.3d_stp.zip](#)

English

Datasheets & Catalog Pages

[HEAVY DUTY CONNECTORS](#)

English

[Heavy Duty Connectors](#)

English

[HDC Flyers July 2015 \(Chinese\)](#)

[HDC Connectors - July 2015 \(English\)](#)

English

Product Specifications



Application Specification

English