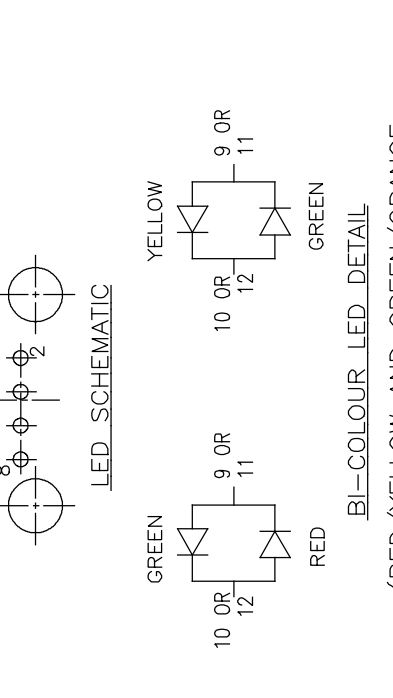
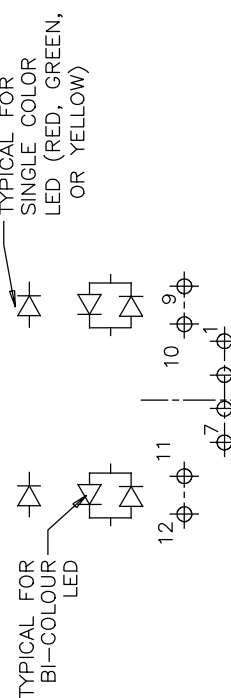


REVISIONS			
SYM	ZONE	ECN, ERN NO.	DATE
B		PROPOSAL	JUL04/06
C		PROPOSAL	OCT 24/08
D		ADD GENERAL TOLERANCE	MAY16/13
E		ADD HEIGHT OF LED	MAR10/16

SYMBOL	DESCRIPTION	DATE	APPROVED
L.CHAN		JUL04/06	L.CHAN
L.CHAN		OCT 24/08	L.CHAN
L.CHAN		MAY16/13	L.CHAN
L.CHAN		MAR10/16	L.CHAN



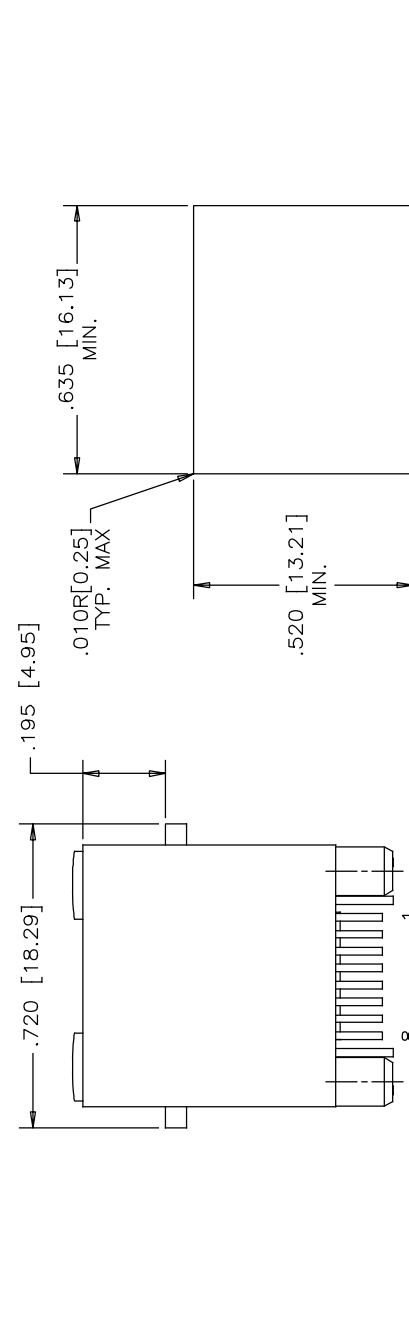
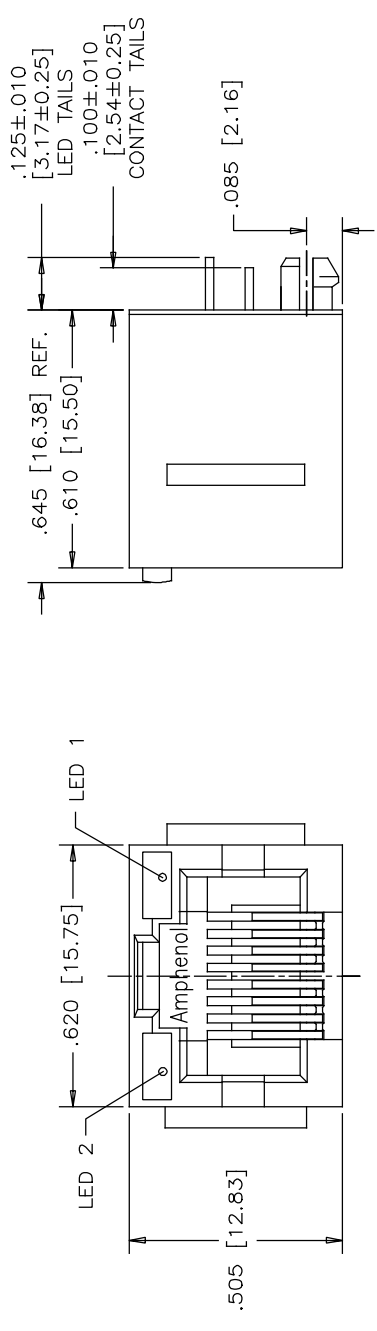
BI-COLOUR LED DETAIL
(RED/YELLOW AND GREEN/ORANGE LED'S ARE ALSO AVAILABLE)

MATERIALS:
 PLASTIC HOUSING: HIGH TEMPERATURE THERMOPLASTIC
 FLAMMABILITY RATING UL 94V-0, BLACK
 CONTACTS: PHOSPHOR BRONZE
 PLATING: 30 μ" [0.76 MICRONS]
 MIN. GOLD ON MATING SURFACES.
 50 μ" [1.27 MICRONS]
 MIN. NICKEL UNDERPLATE
 100 μ" [2.54 MICRONS]
 MIN. MATTE TIN ON CONTACT TAILS.

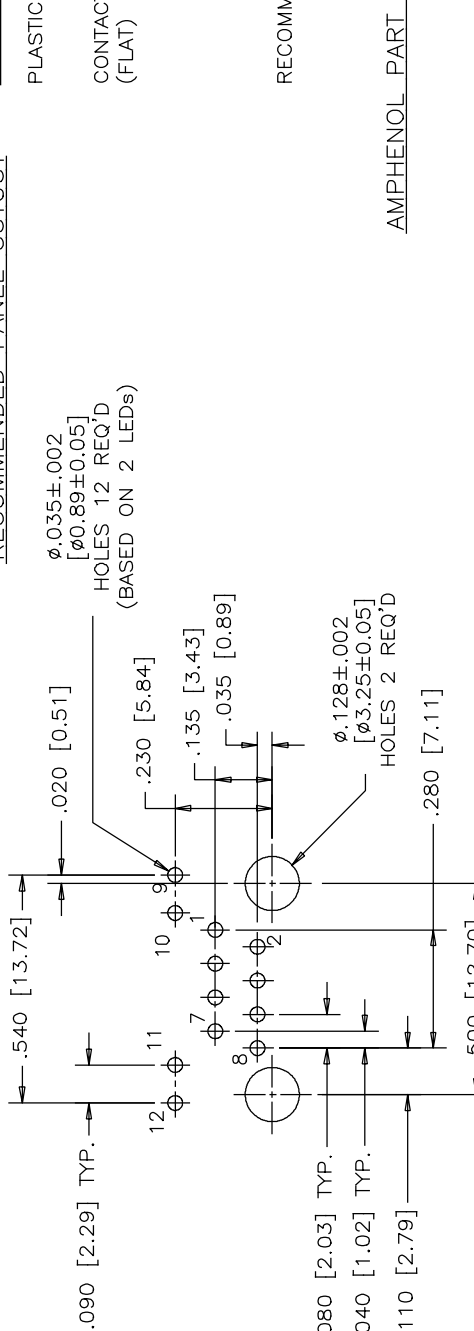
RECOMMENDED SOLDERING TEMPERATURE:
 WAVE SOLDERING TEMPERATURE AT 260°C MAXIMUM
 FOR 5 SEC MAXIMUM.

AMPHENOL PART NUMBER: RJHSE-308X
 REFER TO LED OPTIONS DRAWING FOR ORDERING CODES

DRAWN PAULW	DATE JUL04/06
DESIGNED	
CHECKED CHIGOW	DATE JUL04/06
I. E. APPRD.	
Q. A. APPRD.	
DWG. APPRD.	
ENG. REL. NO.	
REF.	
DIMENSIONS ARE IN INCHES [mm]	CODE ID. NO. 03554
SCALE	
WT.	
SURF.	
SHEET 1 OF 1	



RECOMMENDED PANEL CUTOUT



RECOMMENDED P.C.B. LAYOUT
 (COMPONENT SIDE OF BOARD)

LOCATE HOLES
 φ.005 [0.13]

GENERAL TOLERANCE: ANGLES ±3.0°
 DECIMALS .X ±.025 .X. ±.02 .XX ±.020 .XXX ±.015

POSITION DIMENSIONS ARE BASIC

THIS DOCUMENT CONTAINS PROPRIETARY INFORMATION AND SUCH INFORMATION MAY NOT BE DISCLOSED TO OTHERS FOR ANY PURPOSE OR USED FOR MANUFACTURING PURPOSES WITHOUT WRITTEN PERMISSION FROM AMPHENOL CANADA CORP.

