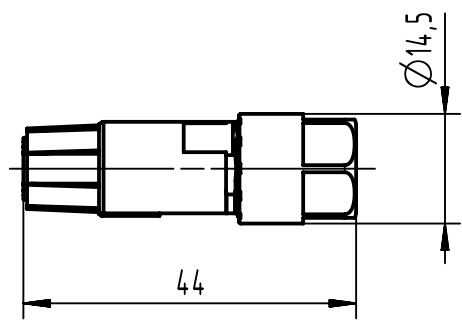
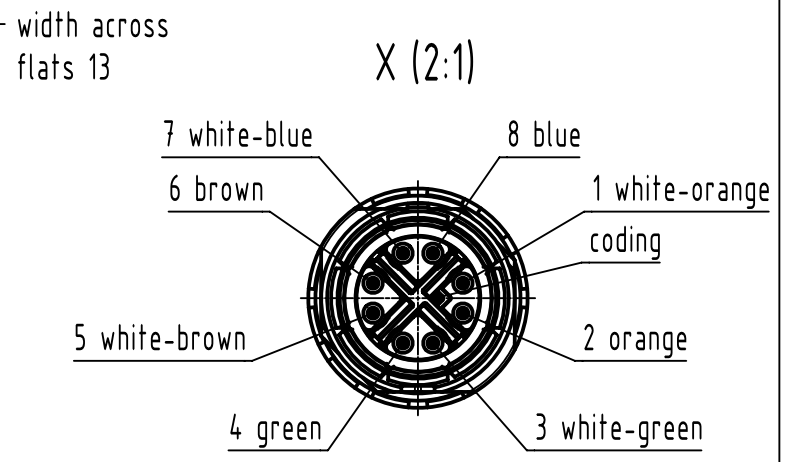
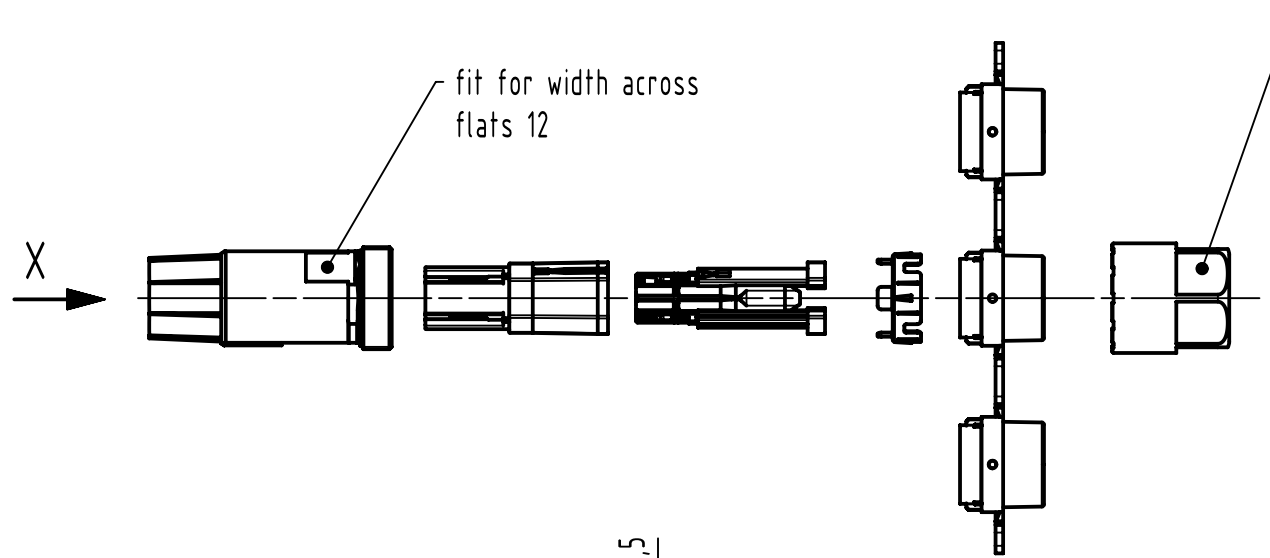


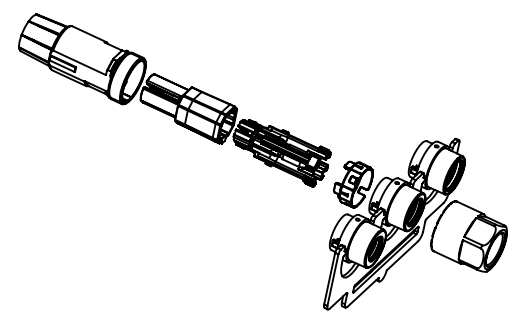
1 2 3 4 5 6

A
B
C
D



order contacts separately

cable ø	wire gauge	part-no.
5,7-8,8mm	AWG 24-28	21 01 100 9023
	AWG 23-26	21 01 100 9021



	All Dimensions in mm Original Size DIN A4	Scale 1:1	Free size tol.		Ref. Sub.	
	All rights reserved Department EL PD	Created by MOELLERLI	Inspected by SCHWARZA	Standardisation 302077	Date 2021-04-07	State Final Release
HARTING D-32339 Espelkamp		Title Han M12 Crimp X-coded female			Doc-Key / ECM-Nr. 100816315/UGD/001/D 500000192663	
		Type TB	Number 09 14 881 2805		Rev. D	Page 1/1