

5

4

3

2

1

DRAWING NO. 32-1004-CUST(SEE TABLE I)				
REVISIONS				
01	OFFICIAL RELEASE			2009.09.0
	08-12-09	Y U	Y U	T H

Description: See Table I
 Part No: See Table I
 Application: Unshielded Modular In-line Coupler
 Cross Wired for Voice Applications
 Crimp Tool: N/A
 Impedance: N/A
 Frequency Range: N/A
 Material: Wire 26AWG,PVC,OD1.0mm,UL1061
 Housing ABS,Color See Table I
 Pin Phosphor Bronze,Copper Plated
 RoHS Compliance: Yes
 Technical Detail: N/A



受控 CONTROLLED DOCUMENT					
编号 P/N	30-1004-C UST	版本 Rev	01	日期 Rel'd Date	SEP 14,09

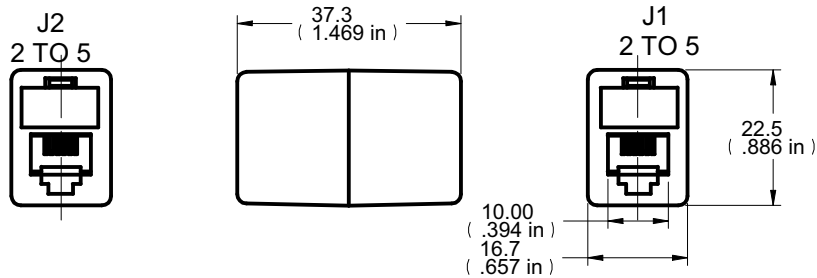
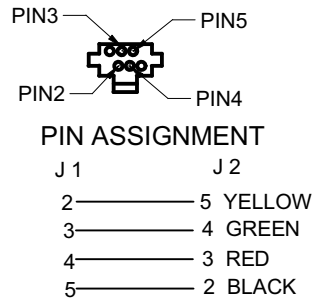


TABLE I

P/N	Description	Color
32-1004	RJ11 6P4C COUPLER X-WIRED,IV	Ivory
32-1004W	RJ11 6P4C COUPLER X-WIRED,WH	White



DIM OUTLINE

CUSTOMER COPY

TOLERANCE UNLESS OTHERWISE SPECIFIED	DECIMALS	mm	DRAWN BY		DATE	
			BETTY.YU		08-12-09	
			CHECKED BY		DATE	
			BETTY.YU		08-12-09	
			APPROVED BY		DATE	
THOMAS		08-12-09				
ANGLES		± 0.5°		U/M	mm	

EMERSON
Network Power

Connectivity Solutions

TITLE
RJ11 6P4C COUPLER X-WIRED,IV
(SEE TABLE I)

SHEET 1 OF 1	DRAWING NO. 32-1004-CUST (SEE TABLE I)	SIZE A
-----------------	--	-----------

THIS DRAWING WAS PRODUCED BY COMPUTER, DO NOT SCALE DRAWING OR UPDATE MANUALLY.

5

4

3

2

1

Mouser Electronics

Authorized Distributor

Click to View Pricing, Inventory, Delivery & Lifecycle Information:

[Cinch Connectivity Solutions:](#)

[32-1004](#)