

5

4

3

2

1

DRAWING NO.  
29-4145-CUST

REVISIONS

OFFICAL RELEASE			
01			2009.09.01
08-25-09	T	B	T
	W	Y	

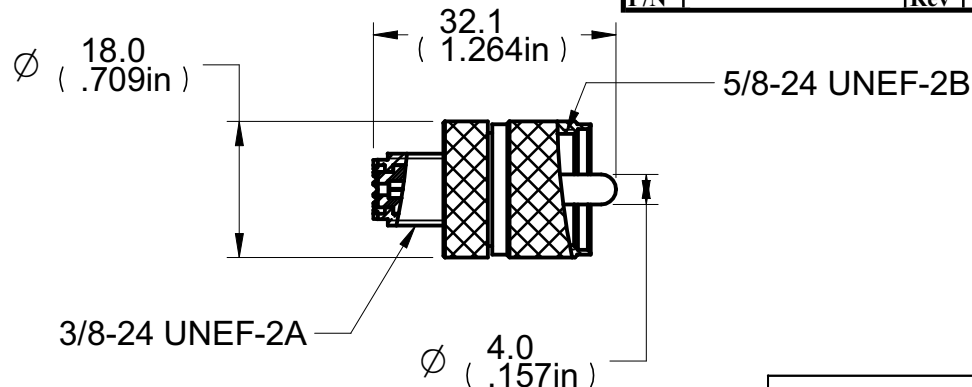
*Betty* 8-08-20-46  
+0800

Description: Adapter Mini UHF ML to UHF male  
 Part No: 29-4145  
 Application: Adapter  
 Crimp Tool: N/A  
 Impedance: 75 Ohms  
 Fequency Range: 0-500 MHz  
 Material: Body Brass Nickel Plated  
 Contact Brass Gold Plated  
 Insulator Derlin  
 Crimp Sleeve Brass Nickel Plated  
 Coupling Nut Zinc Nickel Plated

RoHS Compliance: Yes  
 Technical Detail: Refer to Emerson Document 29-0000



受控 CONTROLLED DOCUMENT					
编号	29-4145-CUST	版本	01	日期	SEP 14,09
P/N		Rev		Rel'd Date	



**DIM OUTLINE**

CUSTOMER COPY

TOLERANCE UNLESS OTHERWISE SPECIFIED		DRAWN BY	DATE
		TERRY.W	08-25-09
DECIMALS	mm	CHECKED BY	DATE
X	± 0.5	TERRY.W	08-25-09
X.X	± 0.3	APPROVED BY	DATE
X.XX	± 0.1	THOMAS	08-25-09
ANGLES	± 0.5°	U/M	mm



TITLE  
ADAPTER, MINI UHF FM TO UHF MALE

THIS DRAWING WAS PRODUCED BY COMPUTER, DO NOT SCALE DRAWING OR UPDATE MANUALLY.

SHEET	DRAWING NO.	SIZE
1 OF 1	29-4145-CUST	A

5

4

3

2

1

# Mouser Electronics

Authorized Distributor

Click to View Pricing, Inventory, Delivery & Lifecycle Information:

[Cinch Connectivity Solutions:](#)

[29-4145](#)