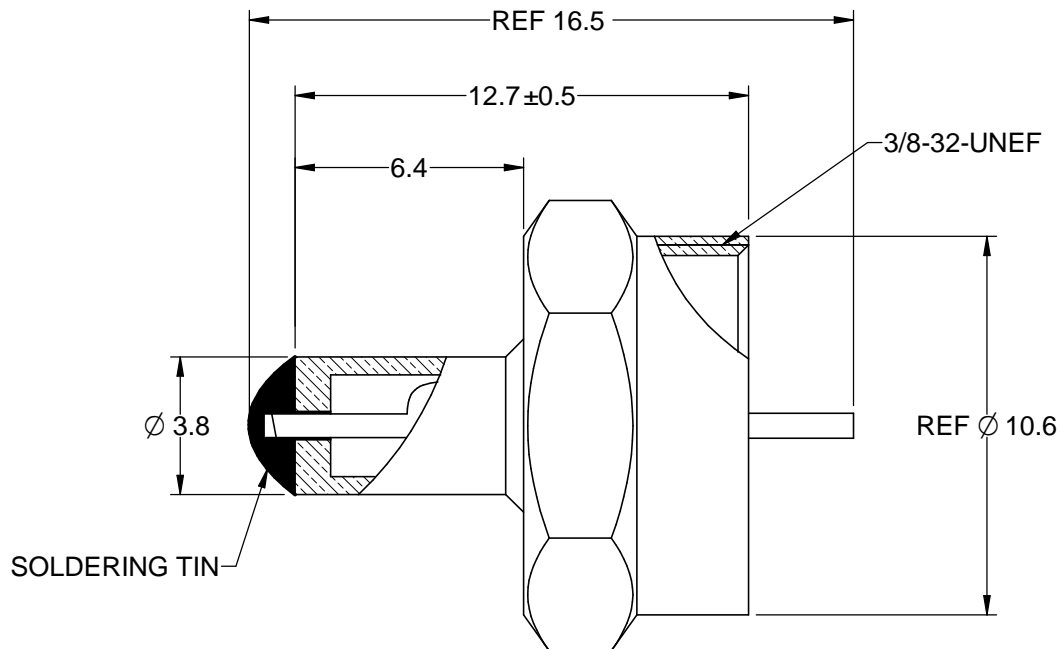
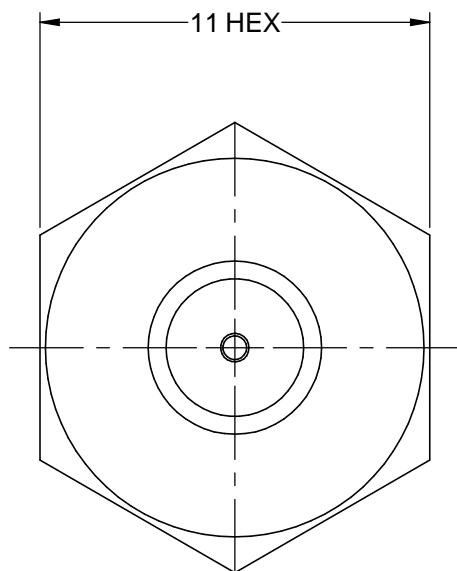




DESCRIPTION: F-59T TERMINATOR 1/4 WATT 5%
 MODEL NUMBER: 25-7100
 APPLICATION: TERMINATOR
 CRIMP TOOL: N/A
 IMPEDANCE: 75 OHMS
 FREQUENCY RANGE: 0-750 MHz
 MATERIAL: BODY BRASS NICKEL PLATED
 RESISTANCE 75Ω 1/4W
 RoHS COMPLIANCE: YES
 TECHNICAL DETAIL: REFER TO CINCH DOCUMENT P/N 25-0000



		AIM-Cambridge	
	RoHS2 <input checked="" type="checkbox"/> 2011/65/EU	Title: (CPF59T) F Type Plug Termination for RG59	
<small>This PROPRIETARY Document is property of Cinch Connectivity Solutions. It is confidential in nature, non-transferable, and issued with the clear understanding that it is not to be copied or released without permission and is returnable upon demand.</small> <small>INTERPRET DRAWING IN ACCORDANCE WITH ASME Y14.5-2009.</small>	<small>UNLESS OTHERWISE SPECIFIED UNITS: METRIC</small> .X ±.3 .XX ±.10 ANGLES ±2°	Model No. 25-7100	
	Size A	DO NOT SCALE DRAWING	Date: 2015/6/26

Mouser Electronics

Authorized Distributor

Click to View Pricing, Inventory, Delivery & Lifecycle Information:

[Cinch Connectivity Solutions:](#)

[25-7100](#)