

5

4

3

2

1

DRAWING NO.	
25-7056-CUST	
REVISIONS	
01	OFFICIAL RELEASE
	08-21-09 Y U Y T H
02	CHANGE DIMENSION FROM Φ8.7 TOΦ8.4
	06-30-11 L H M

D

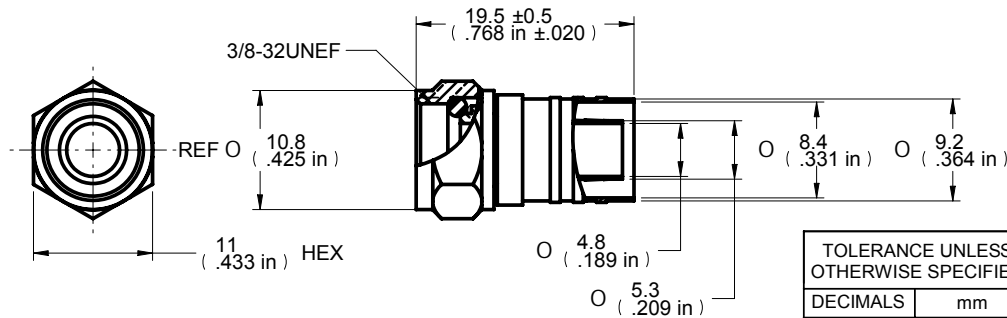


Description: F-56 Alm wp w/1/2 Ring
 Part No: 25-7056
 Application: For RG6 Cable
 Crimp Tool: 24-7710 or 24-8866P
 Impedance: 75 Ohms
 Frequency Range: 0-750 MHz
 Material: Body Brass Chromate plated
 Nut Brass Chromate plated
 RoHS Compliance: Yes
 Technical Detail: Refer to Emerson Document P/N 25-0000

C

B

A



DIM OUTLINE

CUSTOMER COPY

TOLERANCE UNLESS OTHERWISE SPECIFIED		DRAWN BY Ma Lin	DATE 06-30-11
DECIMALS	mm	CHECKED BY Hu Yuge	DATE 06-30-11
X	± 0.5	APPROVED BY Wencan Li	DATE 06-30-11
X.X	± 0.3		
X.XX	± 0.1		
ANGLES	± 0.5°	U/M	mm



TITLE
F-56ALM WP W/ 1/2 RING

SHEET 1 OF 1	DRAWING NO. 25-7056-CUST	SIZE A
-----------------	-----------------------------	-----------

THIS DRAWING WAS PRODUCED BY COMPUTER, DO NOT SCALE DRAWING OR UPDATE MANUALLY.

for evaluation on

5

4

3

2

1

Mouser Electronics

Authorized Distributor

Click to View Pricing, Inventory, Delivery & Lifecycle Information:

[Cinch Connectivity Solutions:](#)

[25-7056](#)