

80 mm sq.

San Ace 80



General Specifications

- Material Frame: Plastics (Flammability: UL94V-0),
Impeller: Plastics (Flammability: UL94V-0)
- Expected Life Refer to specifications (L10:Survival rate:90% at 60°C ,
rated voltage, and continuously run in a free air state)
- Lead Wire ⊕red ⊖black (Sensor) yellow (Control) brown
- Storage Temperature -30°C to +70°C (Non-condensing)

80×80×38mm (Mass : 230g) **9HV type**

Specifications

The following nos. **have PWM controls, pulse sensors, and ribs.** For ribless, append "1" to the model no.

Model No.	Rated Voltage [V]	Operating Voltage Range [V]	PWM duty cycle※ [%]	Rated Current [A]	Rated Input [W]	Rated Speed [min ⁻¹]	Max. Airflow [m ³ /min] [CFM]	Max. Static Pressure [Pa] [inchH ₂ O]	SPL [dB(A)]	Operating Temperature [°C]	Expected Life [h]
9HV0812P1G001	12	10.8 to 13.2	100	3.4	40.8	14,900	3.7 130.7	1,000 4.0	69	-20 to +70	40,000/60°C (70,000/40°C)
			0	0.64	7.68	4,400	1.06 37.5	87.2 0.35	40		
9HV0824P1G003 ^(Note1,2)	24	21.6 to 26.4	100	1.7	40.8	14,900	3.7 130.7	1,000 4.0	69		
9HV0848P1G001	48	36 to 57	100	0.85	40.8	14,900	3.7 130.7	1,000 4.0	69	-10 to +70	
			0	0.13	6.24	4,400	1.06 37.5	87.2 0.35	40		

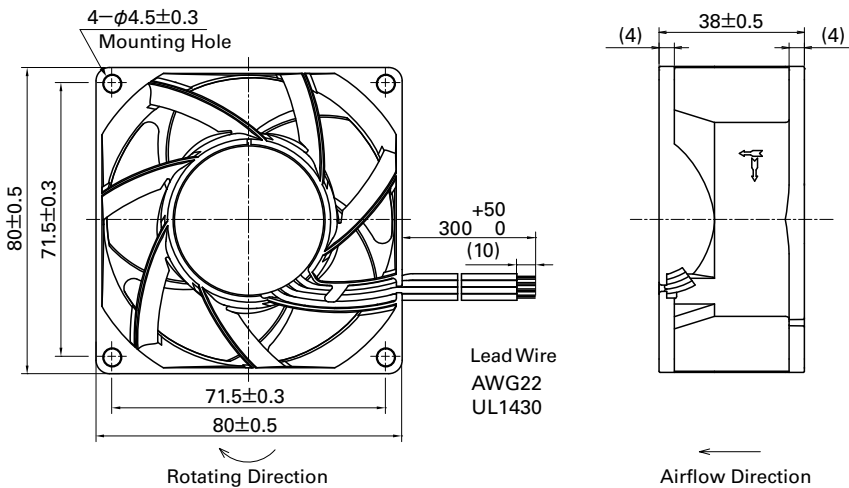
Note 1: Fan does not rotate when PWM duty cycle is 0%.

Note 2: Model no. for a ribless frame model is 9HV0824P1G0011.

※PWM Frequency : 25kHz

Other sensor specifications are available as options. Please refer to the index (p. 508).

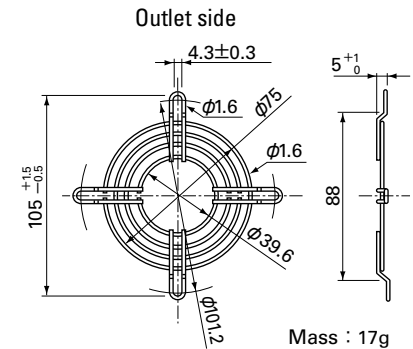
Dimensions (unit: mm) (With ribs)



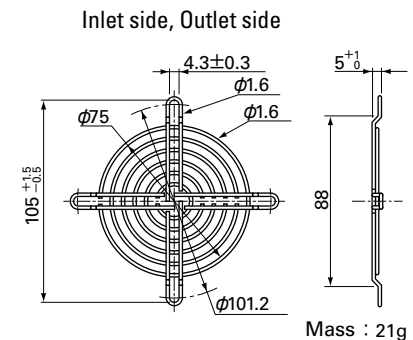
Options (unit: mm)

Finger Guards

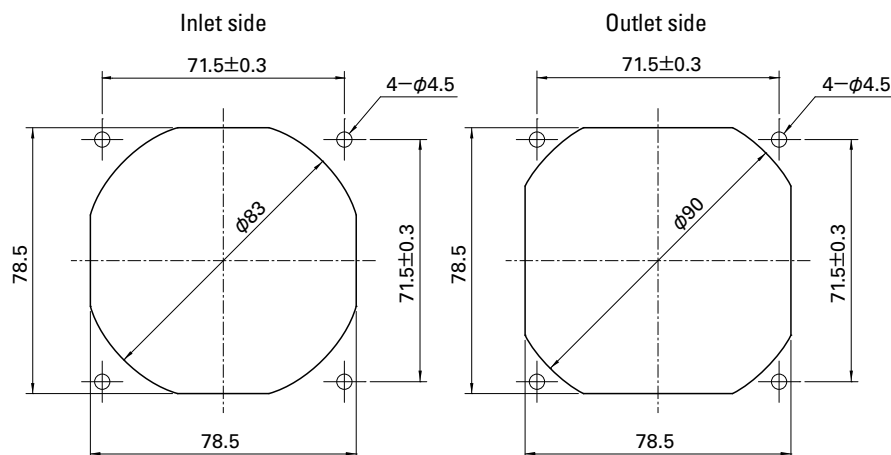
Model : 109-049C Surface treatment : Nickel-chrome plating (silver) Color



Model : 109-049E Surface treatment : Nickel-chrome plating (silver) Color
109-049H : Cation electropainting (black)



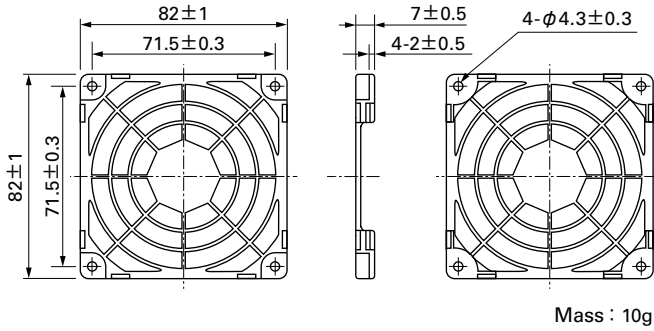
Reference Dimensions of Mounting Holes and Vent Opening (unit: mm)



Options (unit: mm)

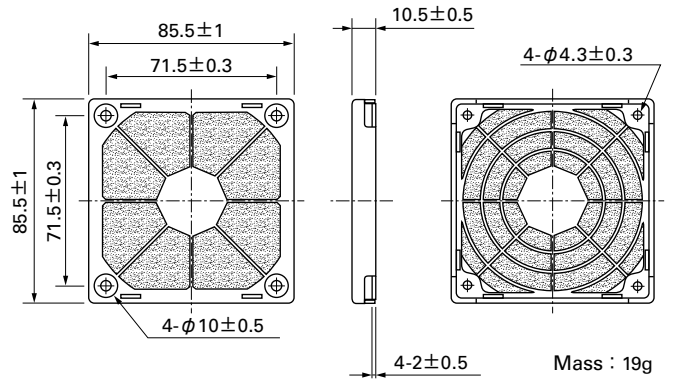
Resin Finger Guards

Model : 109-1002G



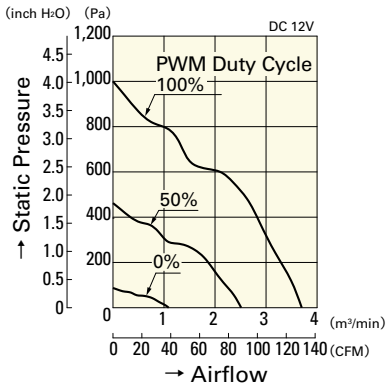
Resin Filter Kits

Model : 109-1002F13 (13PPI), 109-1002F20 (20PPI)
: 109-1002F30 (30PPI), 109-1002F40 (40PPI)

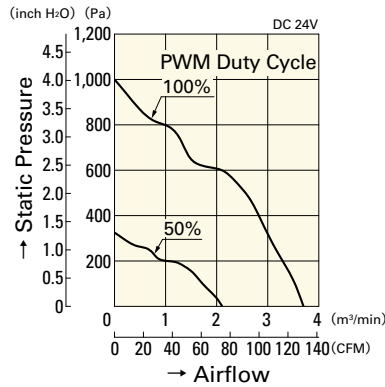


Airflow - Static Pressure Characteristics

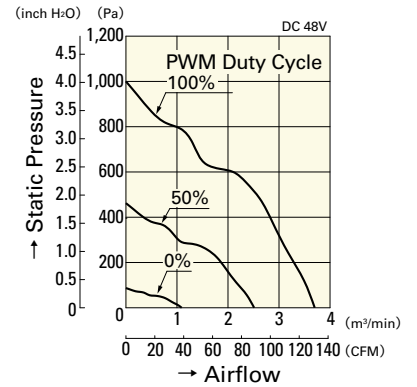
PWM Duty Cycle



9HV0812P1G001

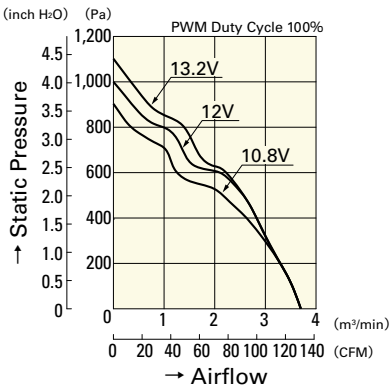


9HV0824P1G003

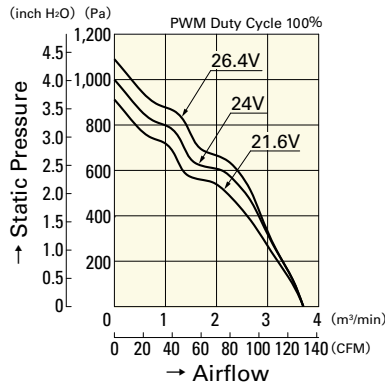


9HV0848P1G001

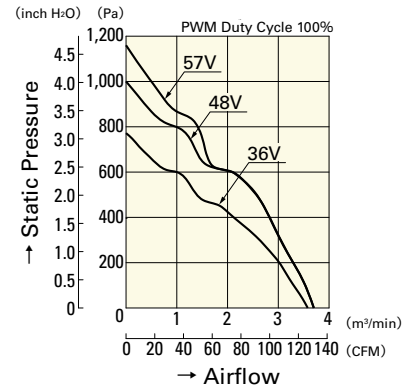
Operating Voltage Range



9HV0812P1G001

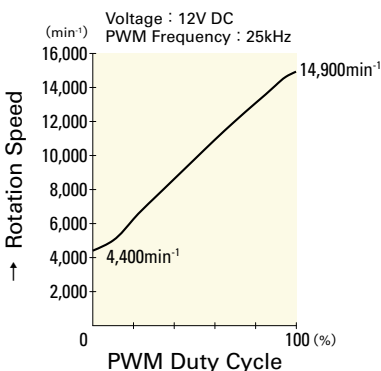


9HV0824P1G003

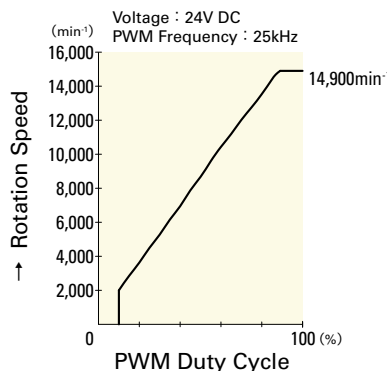


9HV0848P1G001

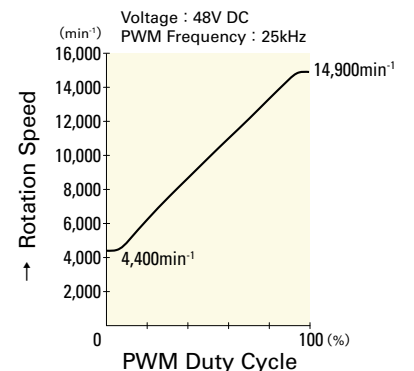
PWM Duty - Speed Characteristics Example



9HV0812P1G001



9HV0824P1G003



9HV0848P1G001