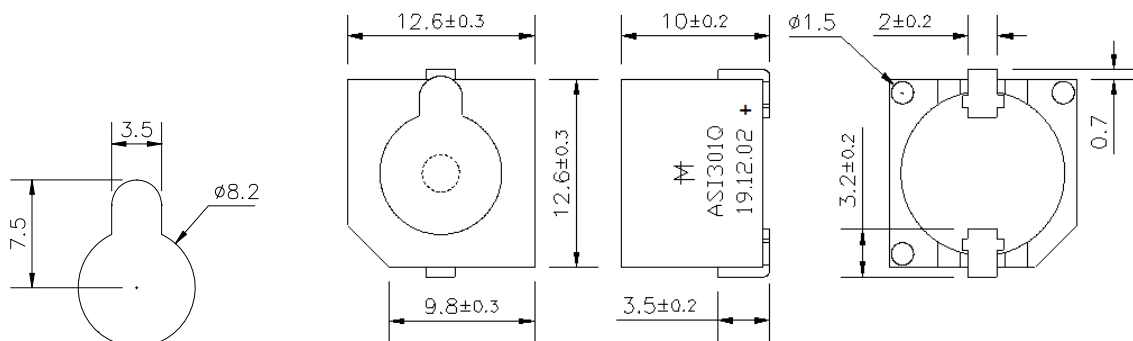
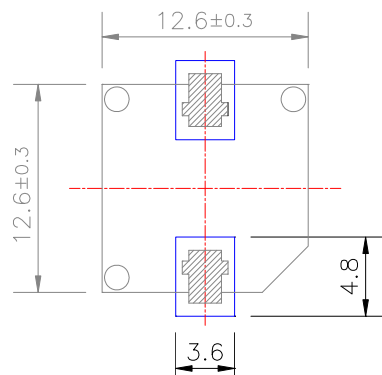


**May not be suitable for all Medical and Aerospace applications.  
Contact Mallory Sonalert to discuss your application.**

Resonant Frequency (Hz)	2400 ± 300
Operating Voltage (Vdc)	4.0 ~ 7.0
Rated Voltage (Vdc)	5.0
Current Consumption Max. (mA)	30 at Rated Voltage
Sound Pressure Level Min. (dB)	90 at 10cm at Rated Voltage
Tone/Pulse Rate	Constant
Operating Temperature (°C)	-20 ~ +70
Storage Temperature (°C)	-30 ~ +80
Housing	PPS plastic resin (Color: Gray)
Type of Connection Terminals	SMD – GOLD plated terminals as of Code Date 20100825
Weight (Grams)	3.0
Options	For other options contact factory

**Dimensions:** (units: mm)**RoHS Compliant****Recommended PCB Layout****Packaging:**

Parts are supplied in tubes of 35 pieces.

Units come with wash label and are appropriate for aqueous wash.