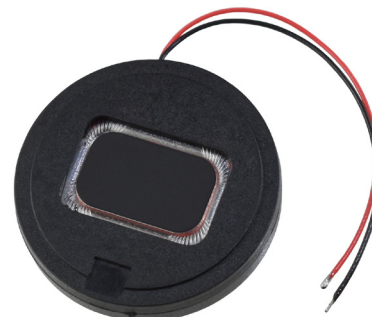


**SERIES:** CES-2704-088L050 | **DESCRIPTION:** SPEAKER**FEATURES**

- 0.8 W rated power
- low profile
- 50 mm lead wire
- wire leads with connector options

**SPECIFICATIONS**

parameter	conditions/description	min	typ	max	units
input power	max power: 1 second on, 59 seconds off, 60 cycles		0.8	1.0	W
impedance	at 2.0 kHz, 2.53 Vrms	6.4	8	9.6	$\Omega$
resonant frequency (Fo)	at 2.53 Vrms, 10 cm	722.5	850	977.5	Hz
frequency response	as per IEC 268-5	500		20,000	Hz
sound pressure level	at 0.8 W, 10 cm, avg at 2.0 kHz in free air	87	90	93	dB
distortion	at 2.0 kHz, rated power, 10 cm			10	%
buzz, rattle, etc.	must be normal at sine wave, frequency range			2.53	V
polarity	cone moves forward w/ positive dc current to "+" terminal				
dimensions	$\varnothing 27 \times 4.9$				mm
magnet	Nd-Fe-B				
enclosure material	PC+ABS				
cone material	PEEK				
terminal	wire leads				
weight		2.4	2.9	3.4	g
operating temperature		-30		70	$^{\circ}\text{C}$
storage temperature		-40		85	$^{\circ}\text{C}$
RoHS	yes				

Notes: 1. All specifications measured at 15~35 $^{\circ}\text{C}$ , humidity at 25~75%, under 86~106 kPa pressure, unless otherwise noted.

**PART NUMBER KEY****CES-2704-088L050 X**

Base Number

Termination Options:

"blank" = wire leads, no connector

A = wire leads with Molex housing 51021-0200

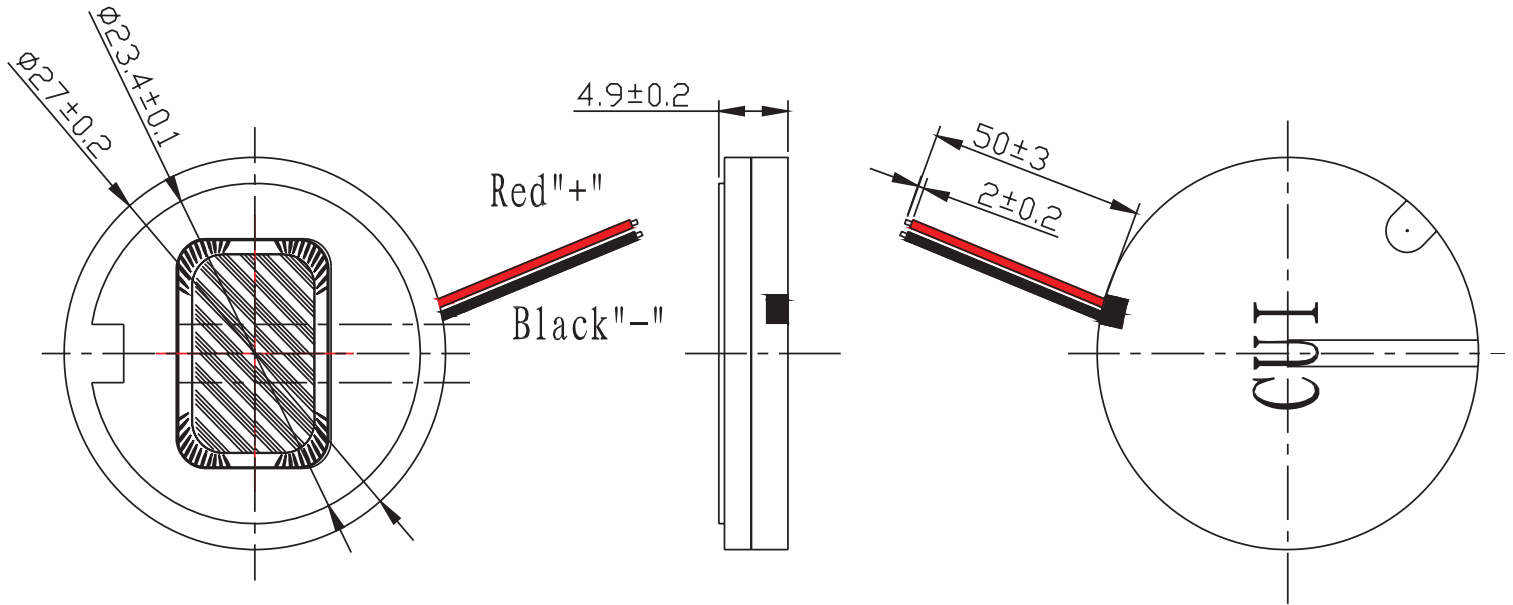
B = wire leads with JST housing SHR-02V-S-B

## MECHANICAL DRAWINGS

units: mm  
tolerance:  $\pm 0.2$  mm

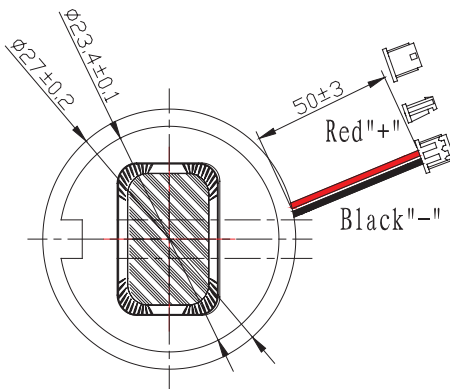
### WIRE LEADS, NO CONNECTOR

wire: UL 1571 32 AWG  
internal speaker: CMS-181325-078SP



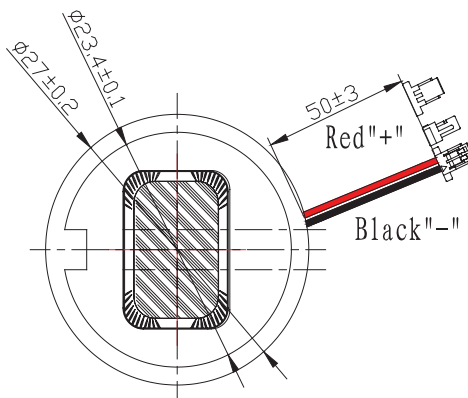
### WIRE LEADS WITH MOLEX CONNECTOR

wire: UL 1571 30 AWG  
connector: Molex 51021-0200  
mating connector: Molex 53261-0271  
internal speaker: CMS-181325-078SP



### WIRE LEADS WITH JST CONNECTOR

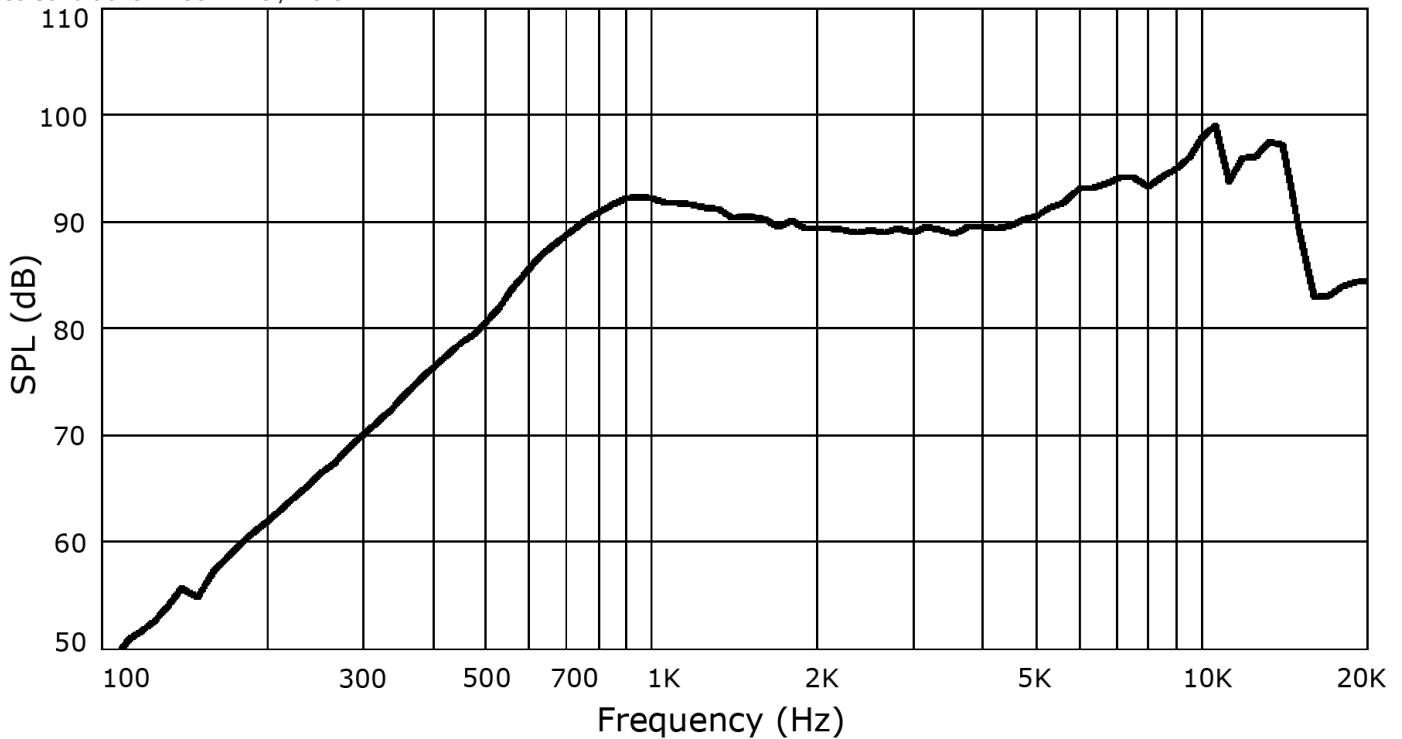
wire: UL 1571 30 AWG  
connector: JST SHR-02V-S-B  
mating connector: JST BM02B-SRSS-TB  
internal speaker: CMS-181325-078SP



## RESPONSE CURVES

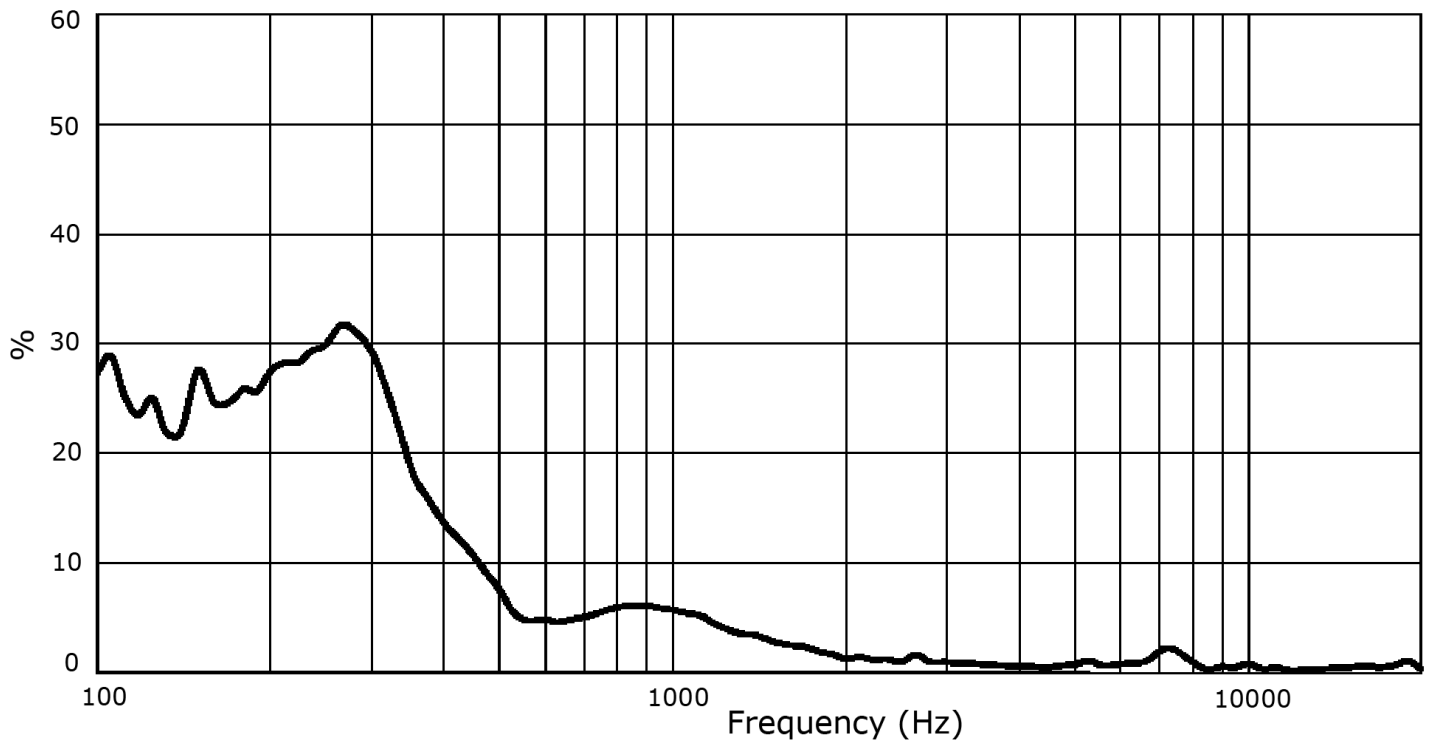
### Frequency Response Curve

Test Conditions: 2.53 Vrms / 10 cm



### Total Harmonic Distortion Curve

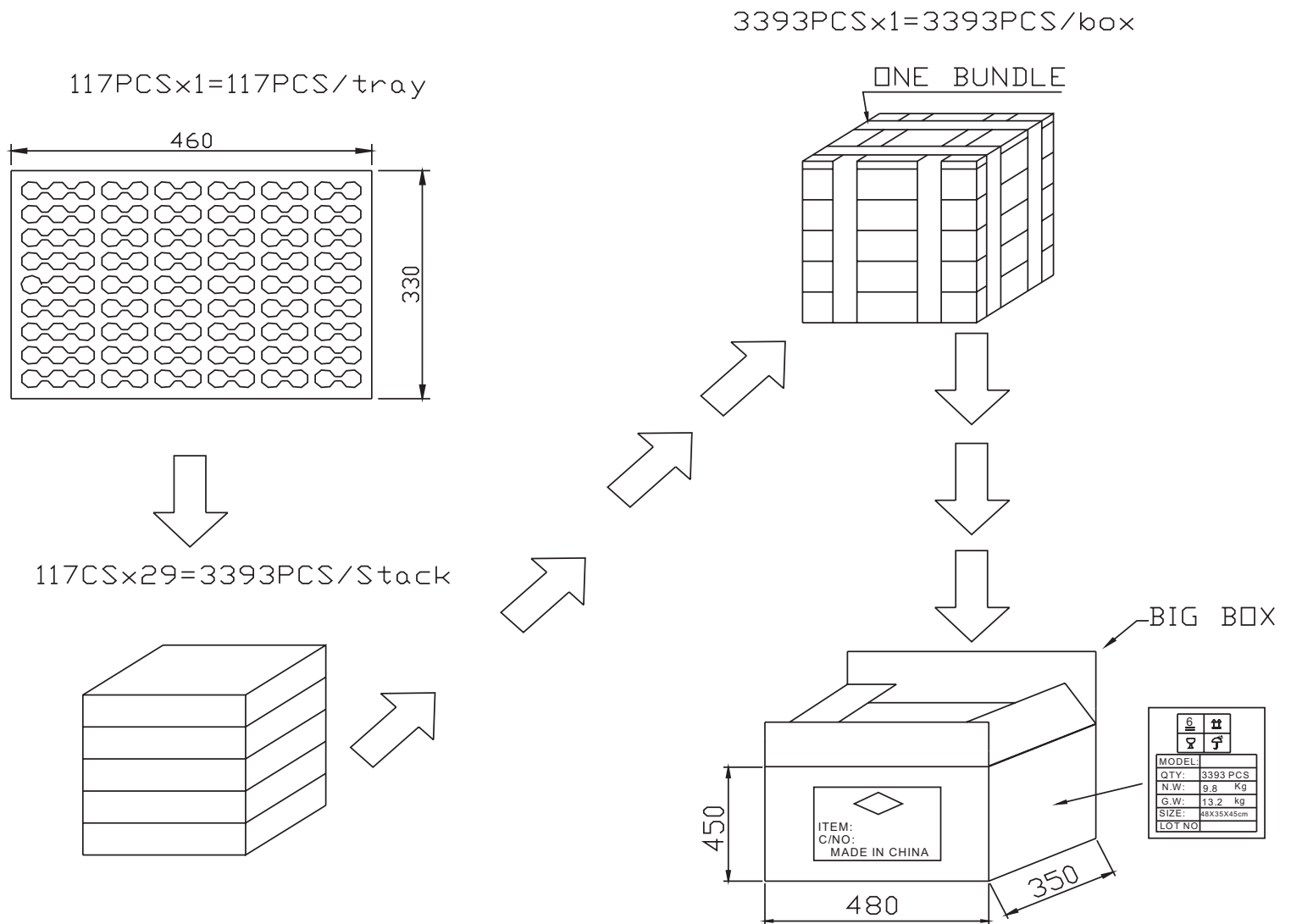
Test Conditions: 2.53 Vrms / 10 cm



## PACKAGING

units: mm

Tray QTY: 117 pcs per tray  
 Carton Size: 480 x 350 x 450 mm  
 Carton QTY: 3,393 pcs per carton



## REVISION HISTORY

---

rev.	description	date
1.0	initial release	11/01/2019
1.01	added internal speaker details	03/12/2020
1.02	added Molex and JST connector options	10/21/2020

The revision history provided is for informational purposes only and is believed to be accurate.

---

# CUI DEVICES

CUI Devices offers a one (1) year limited warranty. Complete warranty information is listed on our website.

CUI Devices reserves the right to make changes to the product at any time without notice. Information provided by CUI Devices is believed to be accurate and reliable. However, no responsibility is assumed by CUI Devices for its use, nor for any infringements of patents or other rights of third parties which may result from its use.

CUI Devices products are not authorized or warranted for use as critical components in equipment that requires an extremely high level of reliability. A critical component is any component of a life support device or system whose failure to perform can be reasonably expected to cause the failure of the life support device or system, or to affect its safety or effectiveness.