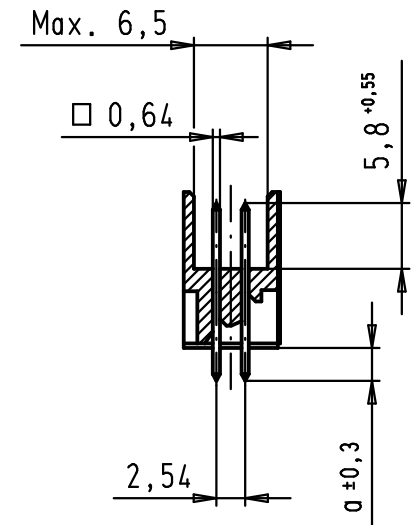
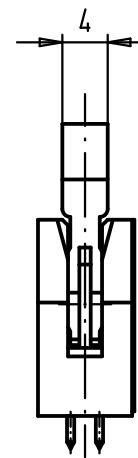
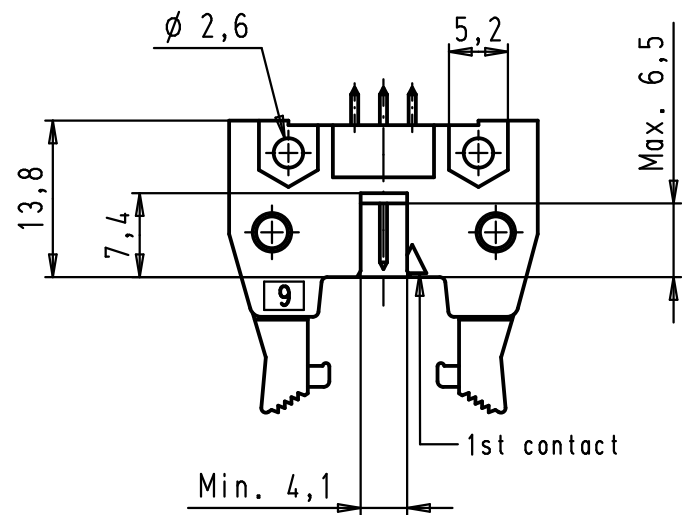
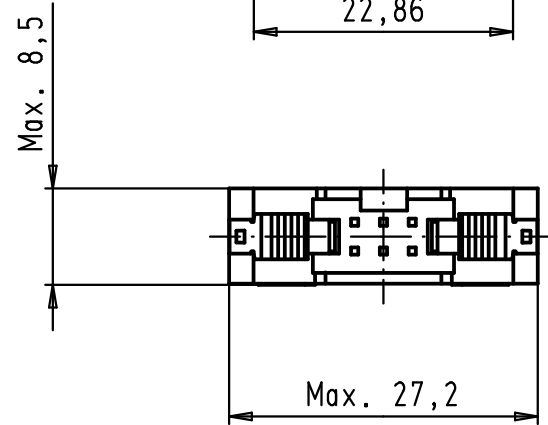
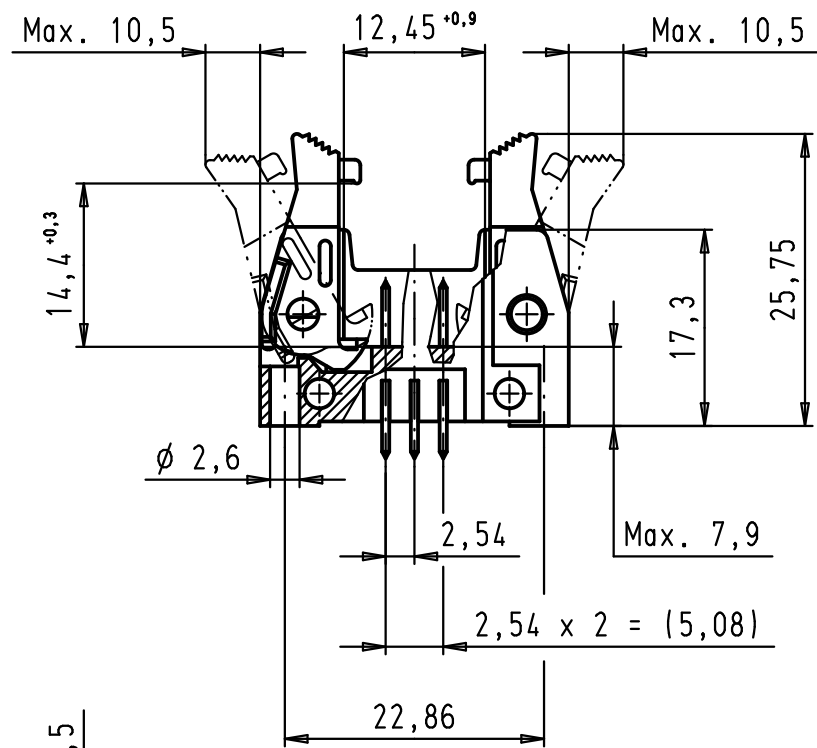
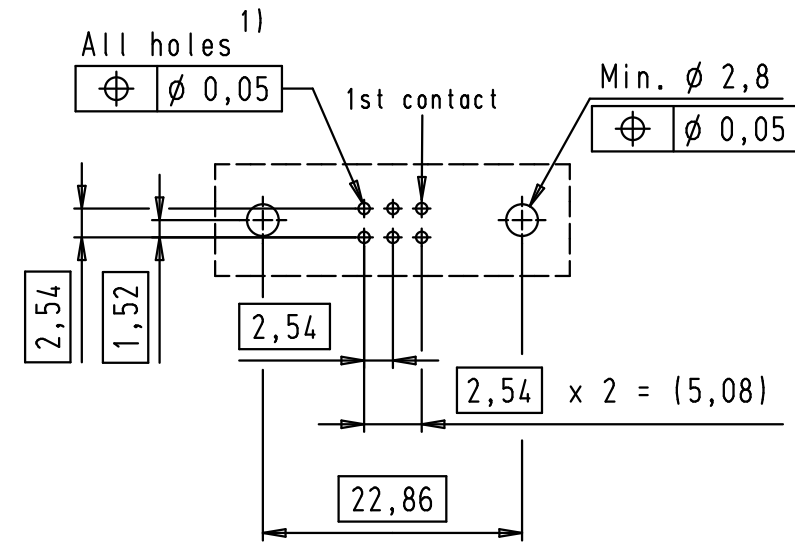


Alle Rechte vorbehalten/ All rights reserved



PCB layout, component side



1) Solder pins for PCB connections
 $\phi 1 \pm 0,1$ according to IEC 60 326-3

09 18 506 7902	3	4,5
09 18 506 6902	2	4,5
09 18 506 5902	0,76 $\mu\text{m Au}$	4,5
09 18 506 7904	3	2,9
09 18 506 6904	2	2,9
09 18 506 5904	0,76 $\mu\text{m Au}$	2,9
Part number	Performance level	a

				Det.	Name	 All Dim. in mm Orig. Size DIN A 3	SEK 18 Male Connector Standard 06 poles Straight solder pins Long locking levers	Maßstab/ Scale 1,5:1
34900	28/01/08	LP	Detail.	01/12/99	JB			
33451	30/03/06	JMDR	Insp.					
29759	26/03/02	CV	Stand.					
27931	15/06/00	JB					TB 09 18 506 X90X	Blatt/ Page 1 / 2
26554	01/12/99	JB						
Mod.	Det.	Name	HARTING EURL F-95972 Paris					