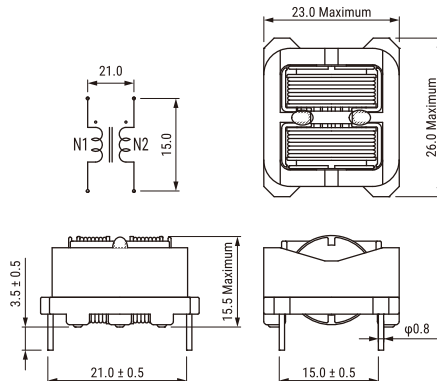


KEMET Part Number: SSHB21HS-10145
(UALSB2S1014500)

KEMET, SSHB21HS, AC Line Filters, Dual Mode, 0.0145 H



Dimensions

L	26mm MAX
T	23mm MAX
H	15.5mm MAX
LL	3.5mm +/-0.5mm
S	21mm +/-0.5mm

Packaging Specifications

Packaging:	Tray
Packaging Quantity:	360
Weight:	14 g

General Information

Series:	SSHB21HS
Style:	Through-Hole
RoHS:	Yes
Notes:	Marking: 10 Lot No.
Miscellaneous:	Temperature Rise Maximum: 65 K

Specifications

Voltage AC:	250 VAC
Inductance:	14.5 mH (10 kHz)
Current:	1 A
Temperature Range:	-25/+130°C
DC Resistance:	570 mOhms