

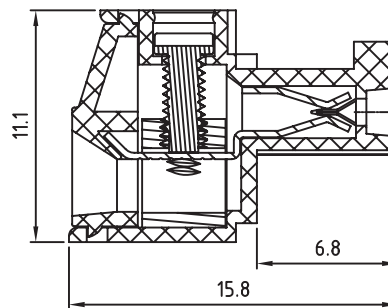
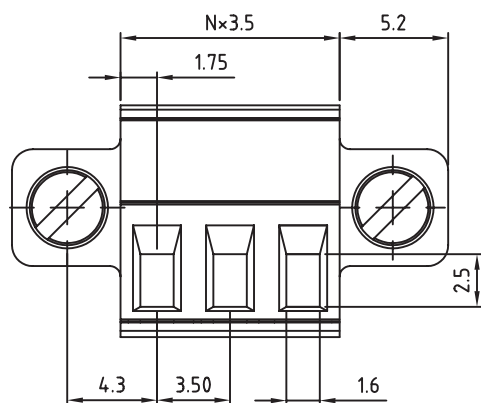
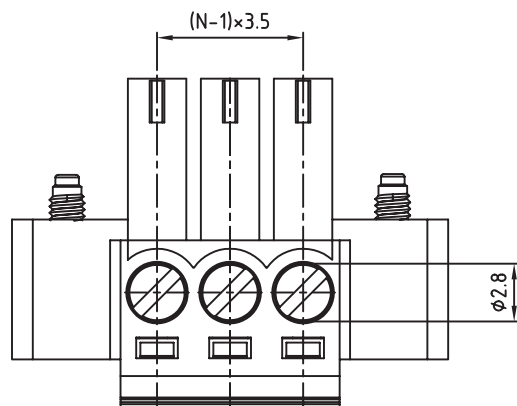
1

2

3

4

5



N=Number of contacts

#### TECHNICAL CHARACTERISTICS

**MATERIAL**  
 INSULATOR: PA 66  
 FLAMABILITY RATING: UL94-V0  
 COLOR: GREEN  
 METAL HOUSING: BRASS (CuZn)  
 TERMINAL SCREW: STEEL ZINC PLATING  
 TERMINAL SCREW SLOT TYPE: "-"  
 WIRE GUARD: PhBz TIN PLATED  
 FLANGES SCREW: STEEL M2.5

**ENVIRONMENTAL**  
 OPERATING TEMPERATURE: -40 UP TO 105°C  
 COMPLIANCE: LEAD FREE AND ROHS

<b>ELECTRICAL</b>	cULus	VDE
CURRENT RATING:	10A	10.5A
WORKING VOLTAGE:	300VAC	300VAC
WITHSTANDING VOLTAGE:	1.6KV	2.5KV
CONTACT RESISTANCE: □	20 mOhm max	

<b>MECHANICAL</b>	
SOLID WIRE:	26-16 AWG / 0.13-1.5MM <sup>2</sup>
STRANDED WIRE:	26-16 AWG / 0.13-1.5MM <sup>2</sup>
TORQUE: □ □	3.0Lb-In / 0.34Nm

WIRE STRIPE LENGTH: 6-7MM  
 SCREW: M2.0  
 PITCH: 3.5MM

PACKAGING: BOX

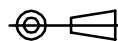
SERIE 3641

CERTIFICATION



RoHS Compliant

PROJECTION:



GENERAL TOLERANCE

.X = +/\_ 0.2

.XX = +/\_ 0.15



APPROVAL: RJ

UNIT: MM

SCALE:

SHEET: 1/1

DRAW: MARVIN

**DESCRIPTION: SERIE 3641 - 3.50MM VERTICAL CABLE ENTRY PLUG WITH FLANGES -1.5MM<sup>2</sup> WIRES WR-TBL**

**WERI PART NO: 691 364 100 0xx**

SIZE

**A4**

G			
F			
E			
D			
C			
B			
A □	31-OCT-08 □	PDF □ □	JP
REV	DATE	FILE	BY