

BB-ACH2-DBAT-DP002

2.4/5 GHz, 2 dBi Wi-Fi RP-SMA Antenna



Features

- Wi-Fi 2.4 and 5 GHz frequency bands
- 2 dBi gain
- SMA type plug connector
- External, detachable
- Replacement antenna for Advantech Airborne Enterprise products

Introduction

Model BB-ACH2-DBAT-DP002 is a Wi-Fi SMA omni-directional antenna. It supports 2.4 GHz and 5 GHz Wi-Fi frequency bands, with 2 dBi gain.

Model BB-ACH2-DBAT-DP002 can be ordered as a replacement antenna for Advantech Airborne enterprise class bridges/routers and serial servers (models BB-ABDN-ER-DP551, BB-ABDN-ER-DP551U, BB-ABDN-SE-DP551).

Ordering Information

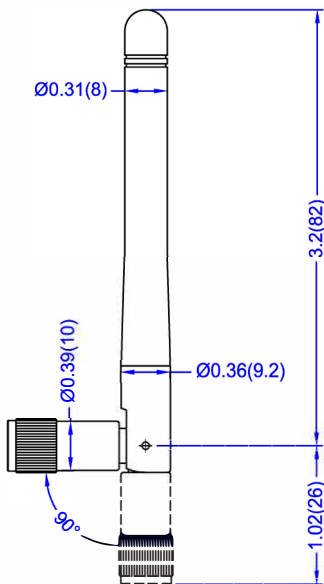
Model No.	Description
BB-ACH2-DBAT-DP002	Wi-Fi 2.4 /5 GHz, 2 dBi SMA Antenna

Specifications

Electrical	
Frequency Range	2.4~2.5 / 4.9~5.35 / 5.725~5.85 GHz
Impedance	50Ω nominal
VSWR	<2/0:1
Gain	2 dBi
Radiation	Omni
Polarization	Vertical
Wave	Half-wave dipole
Mechanical	
Connector	SMA type
Material	
Whip	Polyurethane (black)
Swivel Mechanism	Polycarbonate (black)
Connector	Brass with black chrome plating
Operating Temperature	-20 to +65 °C
Storage Temperature	-30 to +75 °C
Regulatory – Approvals / Standards / Directives	
CE	RoHS compliant

Mechanical Diagram

Units = inches (mm)



Mouser Electronics

Authorized Distributor

Click to View Pricing, Inventory, Delivery & Lifecycle Information:

[B+B SmartWorx:](#)

[BB-ACH2-DBAT-DP002](#)