

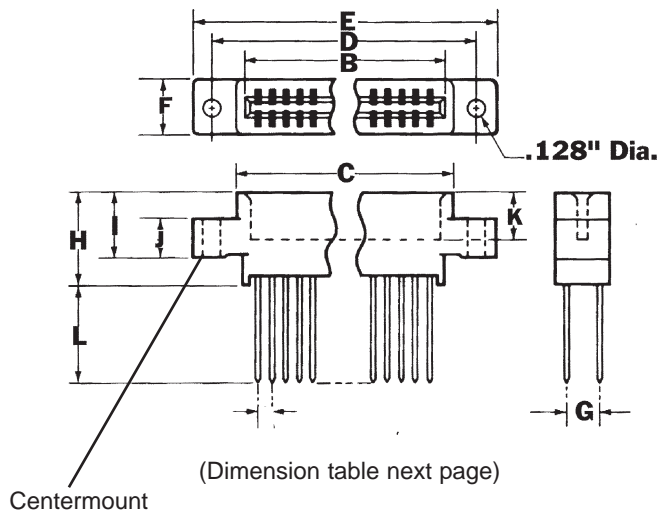
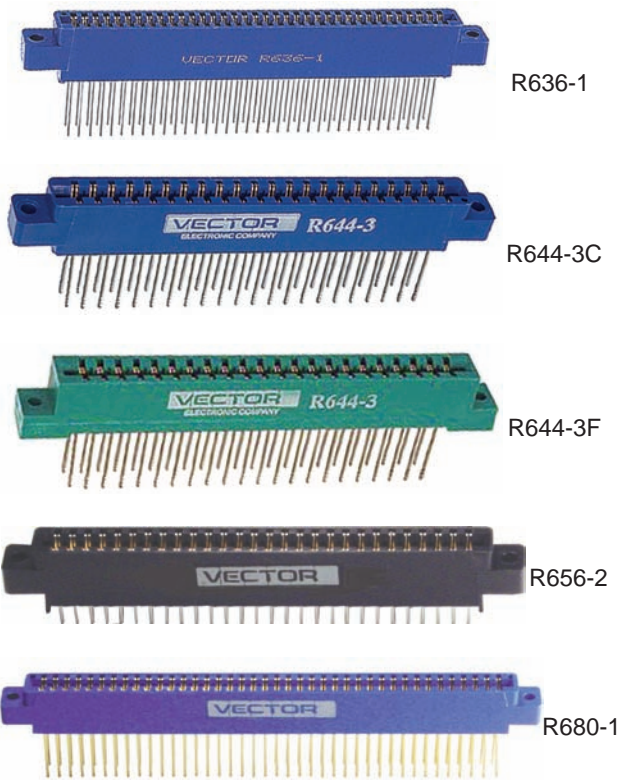
PCB Accessories

R600 Edge Connectors



This section contains parts and accessories for Vectorbord products. They are useful for board-level prototyping and breadboarding. Prototypes are created in various ways; by computer design or by hand - but with one thing in common: sooner or later, you have to make a physical board. It is at this stage that Vectorbord and these parts and accessories may be useful to you. They are selected for convenience and utility and they are readily available from your Vector distributors.

Style 1



- Wire-Wrap .025" Sq. Posts
- Allows 3 level wraps
- Center Mount
- Use 28 to 32 AWG wire
- STD bus

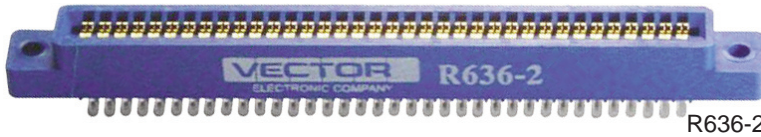
Connectors

Specifications

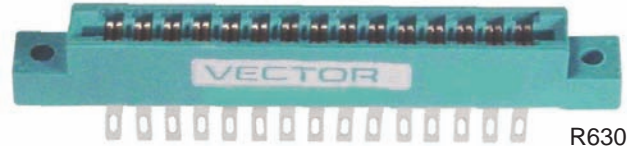
Solder Type Insulator Material:	Phenolic, UL-94V-0 or glass filled Diallylphthalate UL-94V-1 or Ryton R10 or equivalent
Wire-Wrap Type Insulator:	Phenolic, UL-94V-0 or glass filled Diallylphthalate UL-94V-1 or Polyester (VALOX) or equivalent UL-94V-0.
Contact Material:	Phosphor bronze QQ-B-750
Contact Plating:	.000010" gold over .000050" nickel
Test Voltage:	650 VAC
Rated Current:	3 AMPS
Contact Res. Drop:	30 mV Max. @ rated current
Insulation Resistance:	5000 megohms nominal @ 500 VDC
Operating Temperature:	-65 to +105 degrees C



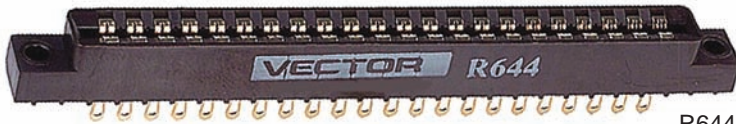
Style 2



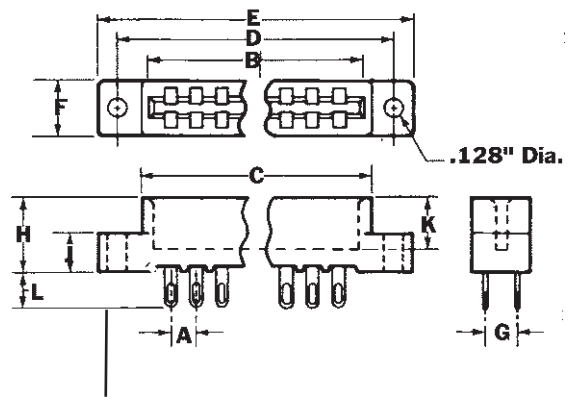
R636-2



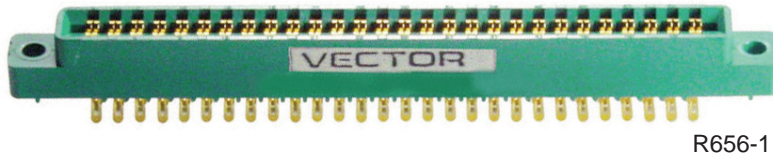
R630



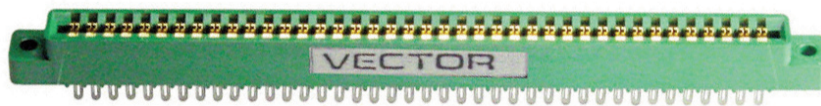
R644



Flushmount



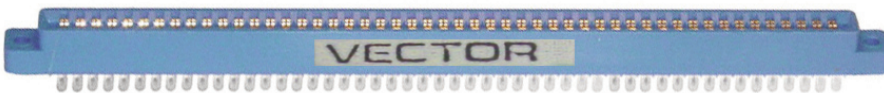
R656-1



R680-2



R681



R681-3

- Solder tail (with eyelet) R656-1 Solder
- Solder eyelet type
- Flush Mount

Connectors

Ordering Information



Part No.	No. of Contacts	Termination Type	Mounting Ears	Style #	A	B	C	D	E	F	G	H	I	J	K	L
R630	30	Solder Tail	Flush	2	.156"	2.504"	2.65"	2.938"	3.270"	.41"	.200"	.47"	n/a	.25"	.34"	.25"
R636-1	72	Wire-Wrap	Center	1	.100"	3.707"	3.88"	4.175"	4.475"	.41"	.200"	.62"	.55"	.25"	.34"	.65"
R636-2	72	Solder Tail	Flush	2	.100"	3.707"	3.88"	4.175"	4.475"	.41"	.200"	.47"	n/a	.25"	.34"	.25"
R644	44	Solder Tail	Flush	2	.156"	3.596"	3.75"	4.032"	4.360"	.41"	.200"	.47"	.25"	.25"	.265"	.25"
R644-2	44	Wire-Wrap	Center	1	.100"	2.300"	2.55"	2.850"	3.120"	.41"	.200"	.62"	.55"	.25"	.297"	.65"
R644-3C	44	Wire-Wrap	Center	1	.156"	3.596"	3.75"	4.032"	4.360"	.41"	.200"	.62"	.55"	.25"	.384"	.65"
R644-3F	44	Wire-Wrap	Flush	1	.156"	3.596"	3.75"	4.032"	4.360"	.41"	.200"	.62"	.55"	.25"	.384"	.65"
R656-1	56	Solder Tail	Flush	2	.125"	3.625"	3.79"	4.045"	4.336"	.41"	.200"	.47"	n/a	.25"	.34"	.25"
R656-2	56	Wire-Wrap	Center	1	.125"	3.625"	3.79"	4.045"	4.325"	.41"	.250"	.62"	.55"	.25"	.34"	.22"
R680-1	80	Wire-Wrap	Center	1	.125"	5.125"	5.29"	5.545"	5.805"	.41"	.250"	.62"	.55"	.25"	.34"	.65"
R680-2	80	Solder Tail	Center	2	.125"	5.125"	5.29"	5.545"	5.805"	.41"	.200"	.62"	.55"	.25"	.34"	.65"
R681-2	100	Wire-Wrap	Center	1	.125"	6.375"	6.54"	6.795"	7.065"	.41"	.250"	.47"	.55"	.25"	.34"	.22"
R681-3	100	Solder Tail	Center	2	.125"	6.375"	6.54"	6.795"	7.065"	.41"	.200"	.47"	n/a	.25"	.34"	.25"

Specification subject to change without notice

Mouser Electronics

Authorized Distributor

Click to View Pricing, Inventory, Delivery & Lifecycle Information:

Vector:

[R656-1](#) [R644](#) [R636-2](#) [R636-1](#) [R630](#) [R681-2](#) [R680-1](#) [R644-2](#) [R644-3C](#) [R680-2](#) [R681-3](#) [R656-2](#)