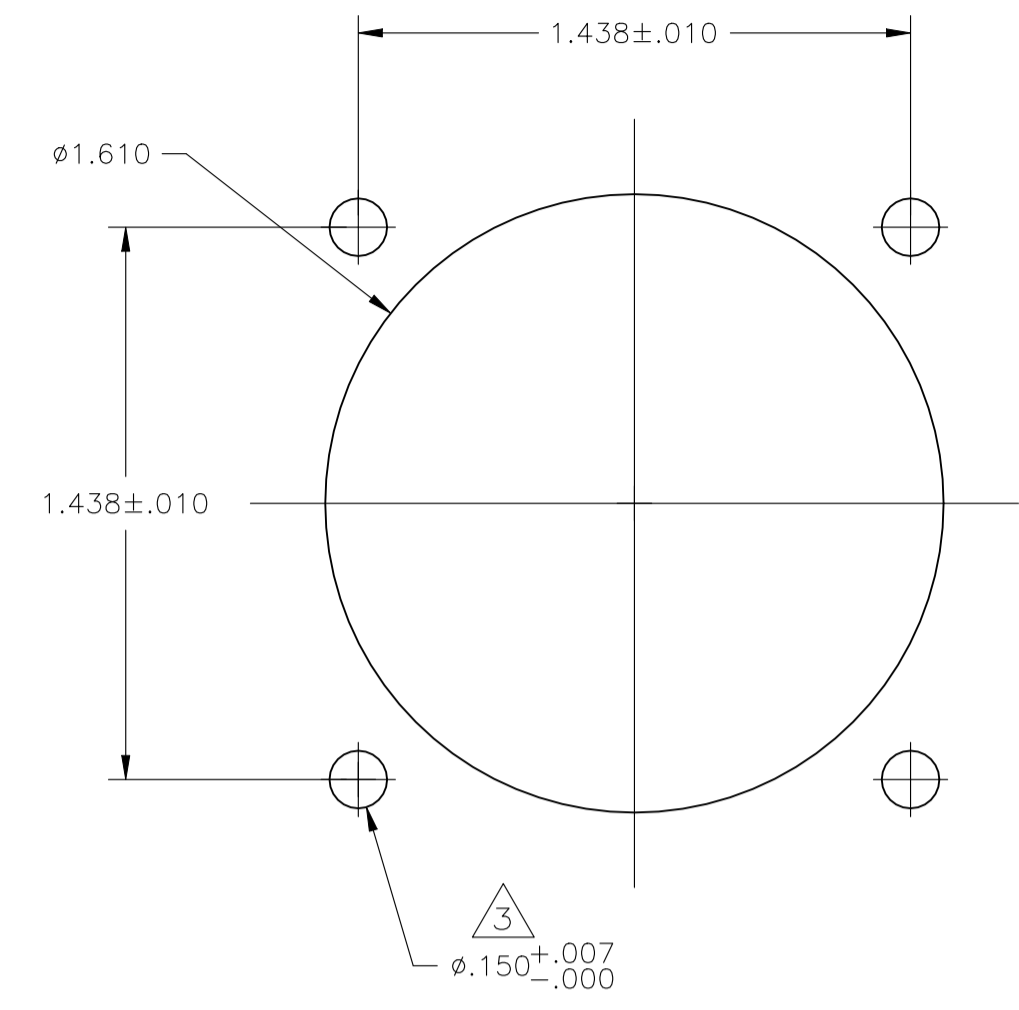
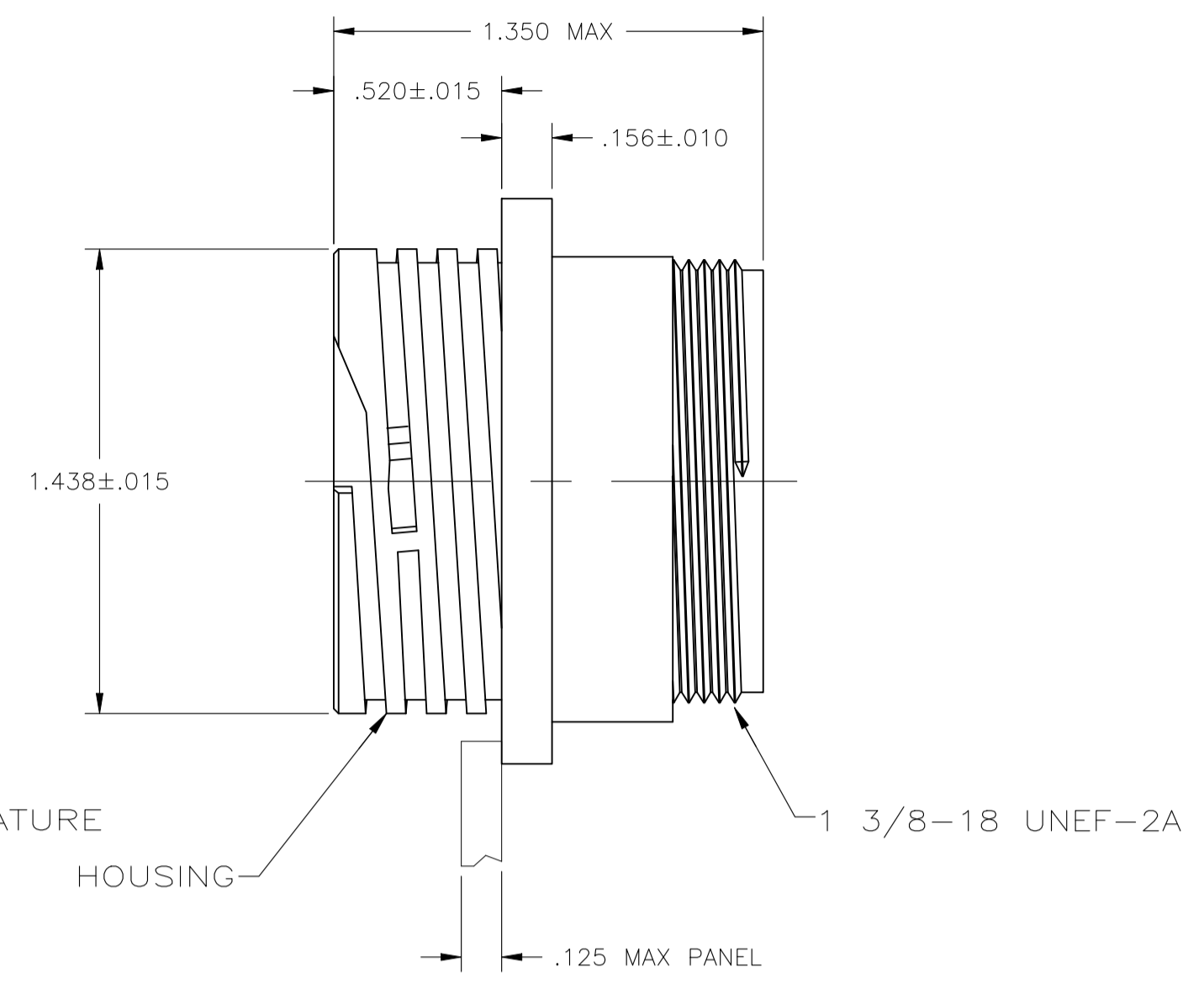
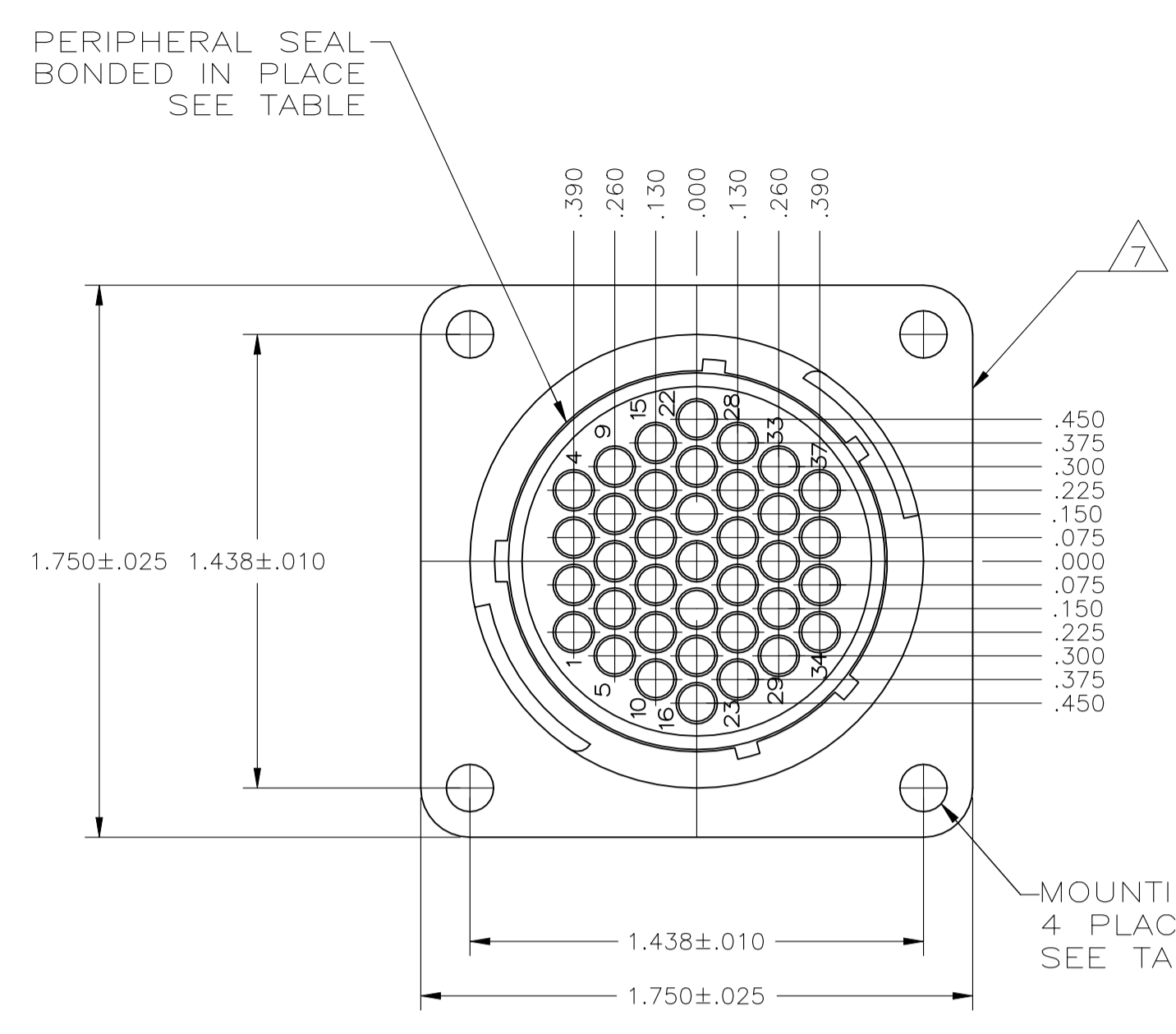
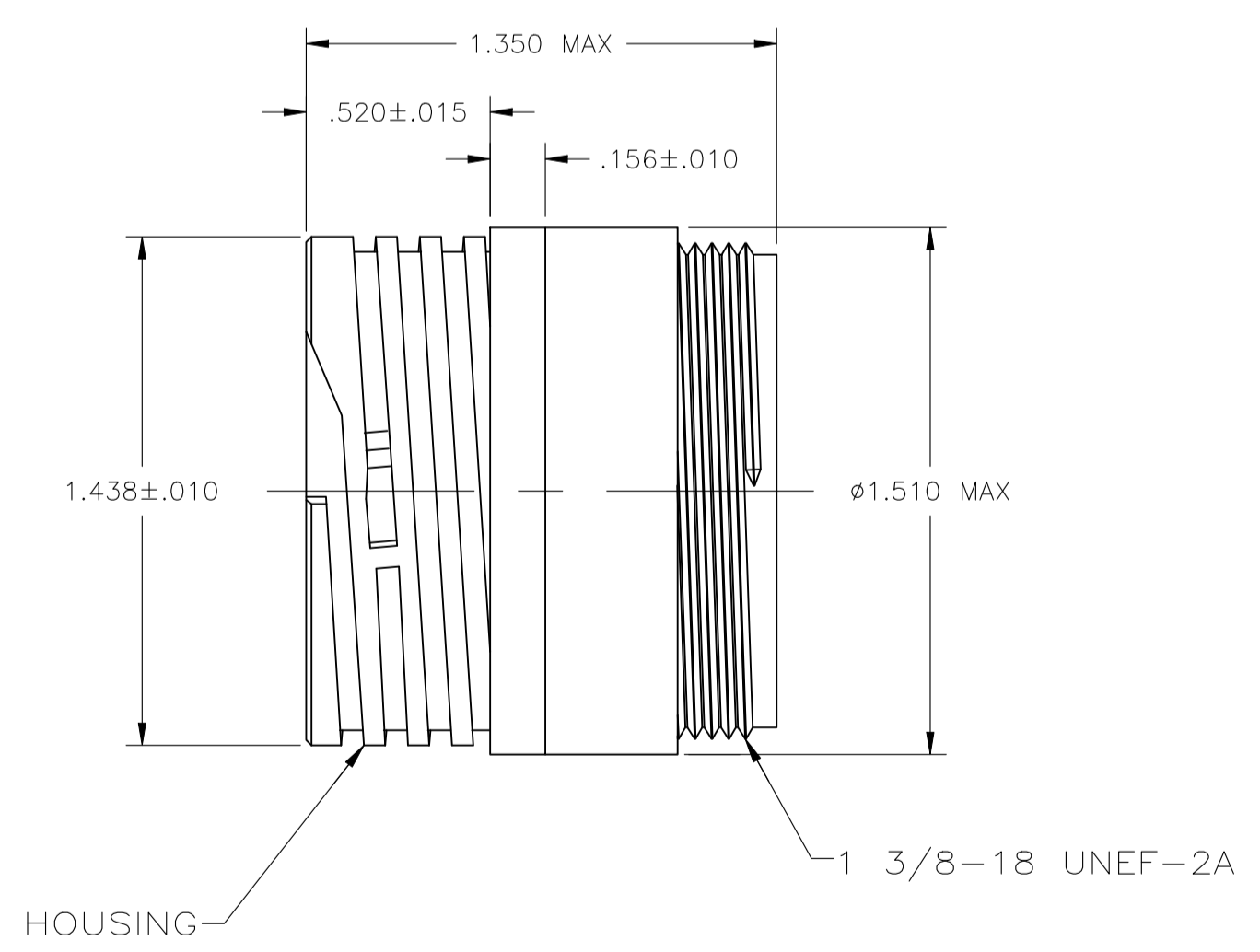
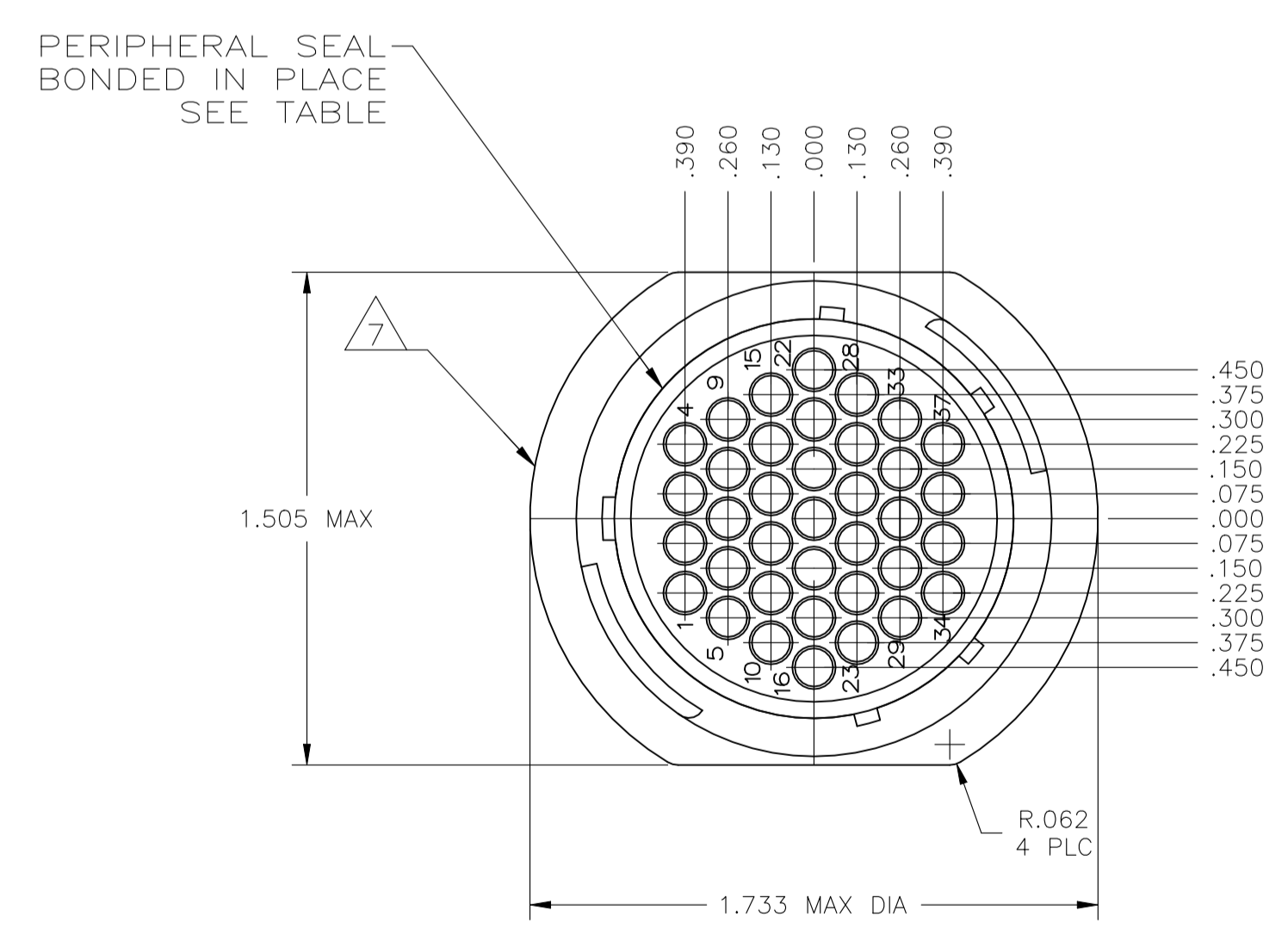
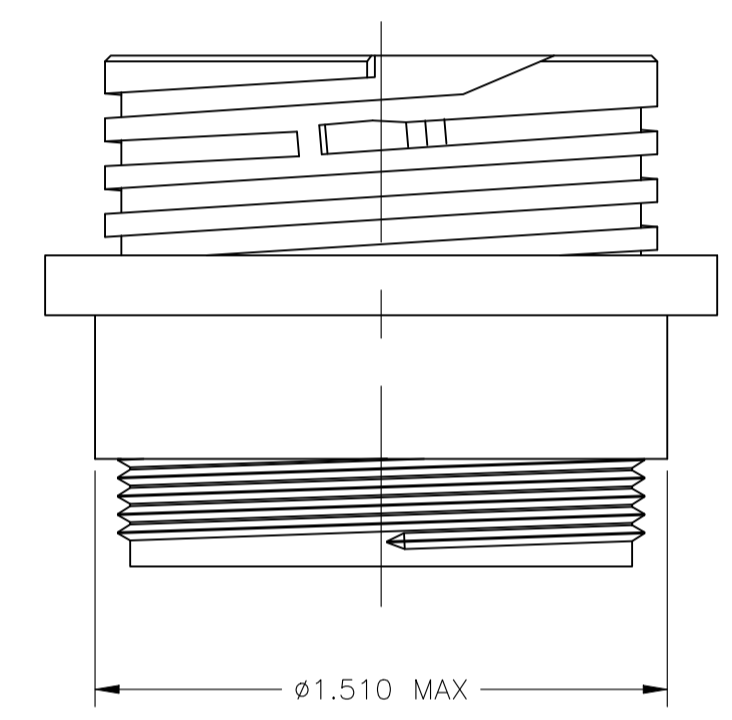


REVISIONS				
P	LTR	DESCRIPTION	DATE	APPROV
R		REVISED PER ECO-21-006945	27OCT2021	RK MZ



RECOMMENDED PANEL CUTOUT

DETAIL A



DETAIL B

- 1 CAVITY IDENTIFICATION ON FRONT AND REAR FACE.
- 2 WILL ACCEPT THIRTY-SEVEN (37) MULTIMATE PIN CONTACTS.
- 3 NO 4 FASTENER RECOMMENDED FOR MOUNTING.
- 4 WHITE DOT NEAR POSITION 1 ON WIRE ENTRY FACE.
- 5 OBSOLETE PARTS: OBSOLETE CIS STREAMLINING PER D.RENAUD/D.SINISI
- 6 MATERIALS:
HOUSINGS: PA66, BLACK
PERIPHERAL SEAL: NITRILE BUTADIENE RUBBER
THREADED INSERT: BRASS
- 7 TE LOGO AND PART NUMBER LOCATED ON ANY FLANGE EDGE

DESCRIPTION	STANDARD	NO	A	206151-9
#4-40 THREADED INSERT	STANDARD	NO	A	206151-9
4	0.150 MOUNTING HOLES	STANDARD	YES	A
5	0.150 MOUNTING HOLES	STANDARD	NO	A
6	0.150 MOUNTING HOLES	SMALL PACK	NO	A
7	NONE	STANDARD	YES	B
8	0.150 MOUNTING HOLES	STANDARD	YES	A
9	NONE	STANDARD	NO	B
10	0.150 MOUNTING HOLES	STANDARD	NO	A
11	MOUNTING FEATURE	PACKAGING	PERIPHERAL SEAL	SEE DETAIL
12				PART NUMBER

THIS DRAWING IS A CONTROLLED DOCUMENT.

DIMENSIONS: INCHES	TOLERANCES UNLESS OTHERWISE SPECIFIED:	DIN S SCHLEGEL 08DEC2002	TE Connectivity
0 PLC ± -	1 PLC ± -	8/13/83	RECEPTACLE HOUSING, STANDARD
2 PLC ± -	3 PLC ± .005	8/13/83	SEX, SHELL SIZE 23, CPC
4 PLC ± -	ANGLES ± -		
MATERIAL	FINISH	SIZE	SCALE 2:1
		WEIGHT	SHEET 1 of 1
		CUSTOMER DRAWING	REV R

Mouser Electronics

Authorized Distributor

Click to View Pricing, Inventory, Delivery & Lifecycle Information:

[TE Connectivity:](#)

[206151-3](#)