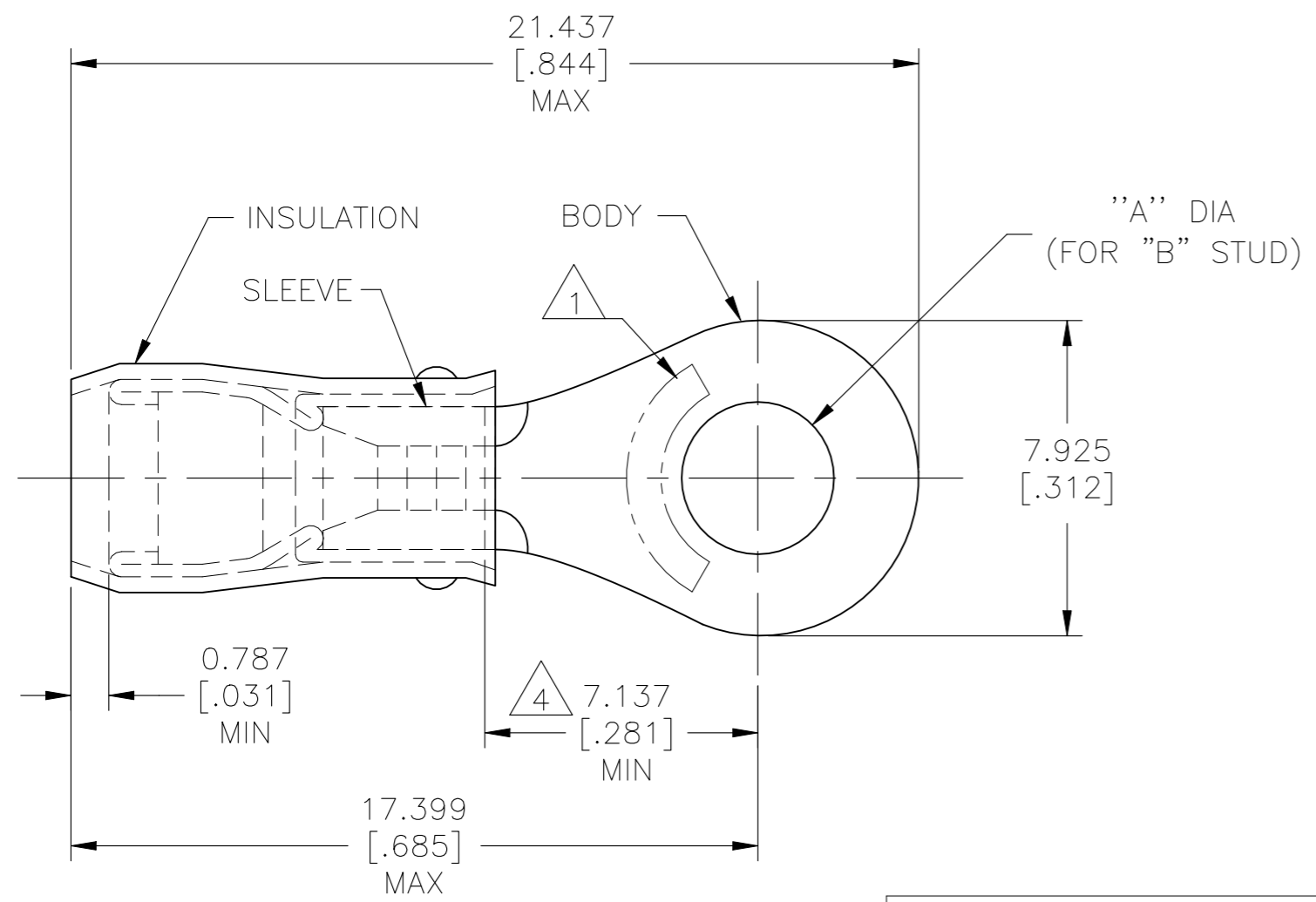


THIS DRAWING IS UNPUBLISHED. RELEASED FOR PUBLICATION  
 © COPYRIGHT - By - ALL RIGHTS RESERVED.

| REVISIONS |     |                           |           |        |
|-----------|-----|---------------------------|-----------|--------|
| P         | LTR | DESCRIPTION               | DATE      | APVD   |
|           | AC5 | REVISED PER ECN-22-156403 | 06JUN2022 | RK CSD |



|                                |                       |                                |
|--------------------------------|-----------------------|--------------------------------|
| <b>AMP</b><br>WIRE RANGE       | E13288<br>Listed      | LR7189<br>Certified            |
| 16-14 AWG<br>SOLID OR STRANDED | 16-14 AWG<br>STRANDED | 16-14 AWG<br>SOLID OR STRANDED |

- 1 STAMP AMP 16-14\* APPROX AS SHOWN.
- 2 WIRE INSULATION :  $\phi 2.669-3.810[\phi .105-.150]$ .
- 3 BODY MATERIAL THK:  $0.787\pm 0.051[.031\pm .002]$ .
- 4 APPLIES FROM EDGE OF METAL WIRE BARREL TO CENTER OF STUD HOLE
- 5 UL LISTED
- 6 CSA CRETIFIED

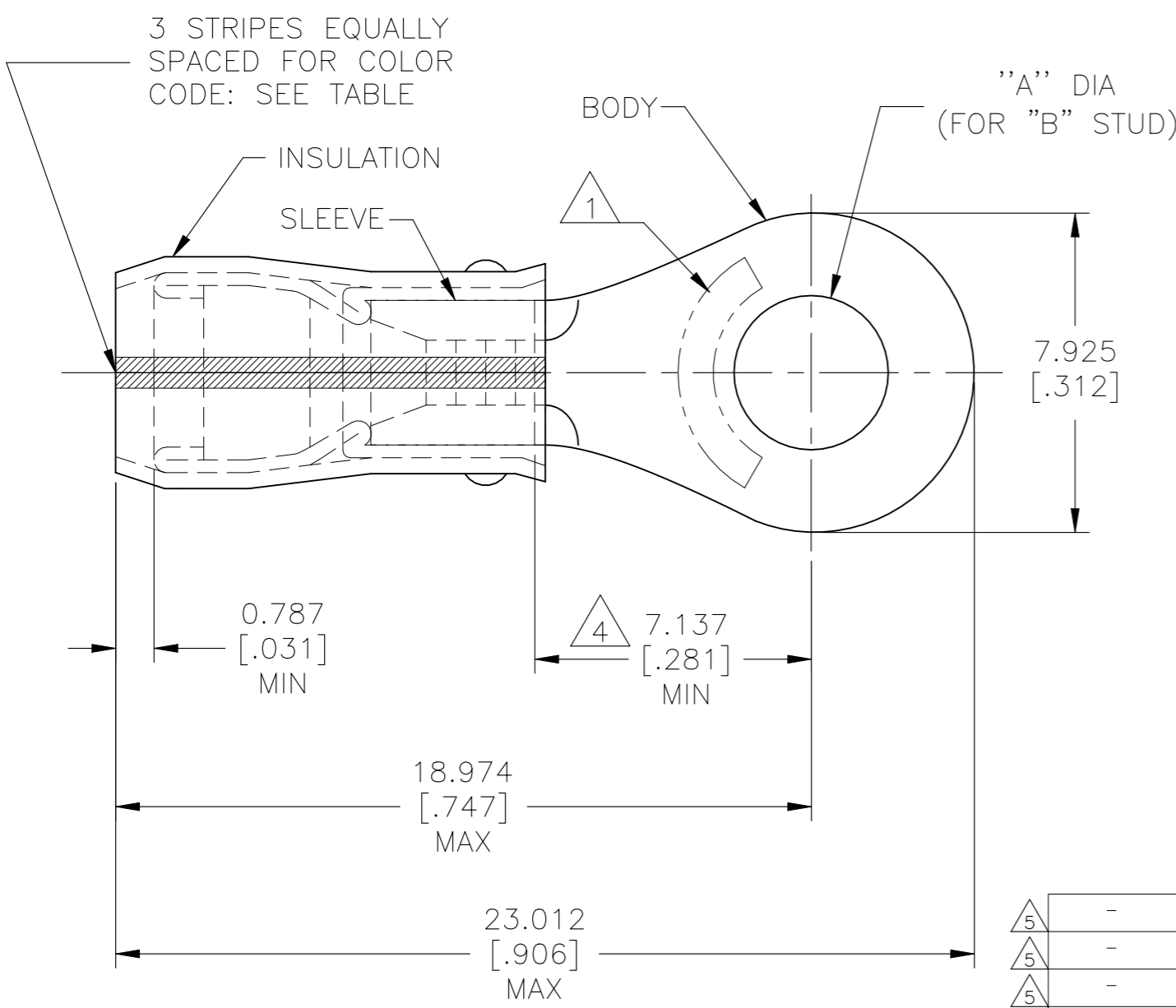
|  |                        |          |                                |          |                  |           |
|--|------------------------|----------|--------------------------------|----------|------------------|-----------|
|  | -                      | [#10]    | $5.004\pm 0.076[.197\pm .003]$ | 100      | LOOSE PIECE, BOX | 5-51864-1 |
|  | -                      | M4[#8]   | $4.343\pm 0.076[.171\pm .003]$ | 100      | LOOSE PIECE, BOX | 4-51864-1 |
|  | -                      | M3.5[#6] | $3.683\pm 0.076[.145\pm .003]$ | 100      | LOOSE PIECE, BOX | 3-51864-1 |
|  | -                      | M4[#8]   | $4.343\pm 0.076[.171\pm .003]$ | 5000     | ON TAPE, REEL    | 51864-5   |
|  | -                      | [#10]    | $5.004\pm 0.076[.197\pm .003]$ | 5000     | ON TAPE, REEL    | 51864-4   |
|  | -                      | M3.5[#6] | $3.683\pm 0.076[.145\pm .003]$ | 5000     | ON TAPE, REEL    | 51864-3   |
|  | MS25036-108 CLASS 1    | [#10]    | $5.004\pm 0.076[.197\pm .003]$ | 1000     | LOOSE PIECE      | 51864-2   |
|  | MS25036-153 CLASS 1    | M4[#8]   | $4.343\pm 0.076[.171\pm .003]$ | 1000     | LOOSE PIECE      | 51864-1   |
|  | MS25036-107 CLASS 1    | M3.5[#6] | $3.683\pm 0.076[.145\pm .003]$ | 1000     | LOOSE PIECE      | 51864     |
|  | MILITARY P/N AND CLASS | "B"      | DIM "A"                        | QUANTITY | PACKAGE TYPE     | PART NO   |

|  |  |  |  |   |                               |                            |  |                       |                    |
|--|--|--|--|---|-------------------------------|----------------------------|--|-----------------------|--------------------|
| AMP INCORPORATED<br>CUSTOMER SERVICE SYSTEMS                                     |  | MAX RECOMMENDED OPERATING TEMPERATURE:<br>105°C[221°F] MAX                               | THIS DRAWING IS A CONTROLLED DOCUMENT.                                   |   | DWN<br>JR RUTH<br>27OCT99     | TE Connectivity            |  |                       |                    |
| FOR ADDITIONAL PRODUCT INFORMATION OR COPIES OF DRAWINGS AND TECHNICAL DOCUMENTS | PRODUCT INFORMATION CENTER<br>1-800-522-6752 | VOLTAGE RATING:<br>300 V MAX   | DIMENSIONS:<br>mm [INCHES]   | TOLERANCES UNLESS OTHERWISE SPECIFIED:  | CHK<br>RE HERSEY<br>27OCT99   |                            | NAME<br>TERMINAL, RING TONGUE, PIDG, <sup>TM</sup><br>WIRE SIZE, 16-14 AWG |                       |                    |
| FOR APPLICATION TOOLING INFORMATION  | TOOLING ASSISTANCE CENTER<br>1-800-722-1111  | CIRCULAR MIL AREA:<br>1.04-2.62mm <sup>2</sup> [2050-5180] CIR MILS<br>SOLID OR STRANDED |  | 0 PLC ± -<br>1 PLC ± -<br>2 PLC ± -<br>3 PLC ± 0.127[.005]<br>4 PLC ± -<br>ANGLES ± - | APVD<br>C PRESNELL<br>27OCT99 | PRODUCT SPEC<br>UL 486 A-B |  |                       |                    |
| FOR ORDER ENTRY  | 1-800-526-5142                               |  | MATERIAL<br>BODY & SLEEVE:<br>COPPER PER ASTM B-152<br>INSULATION: NYLON | FINISH<br>BODY & SLEEVE:<br>TIN PLATE PER ASTM B545<br>INSULATION: COLOR-BLUE         | APPLICATION SPEC<br>114-2157  | SIZE<br>A3                 | CAGE CODE<br>00779   | DRAWING NO<br>C-51864 | RESTRICTED TO<br>- |
|  |  |  | CUSTOMER DRAWING   |   | WEIGHT<br>-                   | SCALE<br>NTS               | SHEET<br>1 OF 2  | REV<br>AC5            |                    |

THIS DRAWING IS UNPUBLISHED. RELEASED FOR PUBLICATION  
 © COPYRIGHT - By - ALL RIGHTS RESERVED.

| REVISIONS |     |             |      |      |
|-----------|-----|-------------|------|------|
| P         | LTR | DESCRIPTION | DATE | APVD |
| -         | -   | SEE SHEET 1 | -    | -    |

|                    |                              |
|--------------------|------------------------------|
| AMP WIRE RANGE     | LR 7189 Certified            |
| SEE TABLE STRANDED | WIRE SIZE PER TABLE STRANDED |



- 1 STAMP AMP [ ] APPROX AS SHOWN SEE TABLE BELOW.
- 2 WIRE INSULATION :  $\phi 1.600-3.302[\phi .063-.130]$  FOR 16 AWG,  $\phi 1.981-3.302[\phi .078-.130]$  FOR 14 AWG.
- 3 BODY MATERIAL THK:  $0.787 \pm 0.051[.031 \pm .002]$ .
- 4 APPLIES FROM EDGE OF METAL WIRE BARREL TO CENTER OF STUD HOLE
- 5 CSA CERTIFIED

| MILITARY P/N AND CLASS | STRIPE COLOR | STAMPING | WIRE SIZE | "B"      | DIM "A"                          | QUANTITY | PACKAGE TYPE     | PART NO   |
|------------------------|--------------|----------|-----------|----------|----------------------------------|----------|------------------|-----------|
| 5 -                    | BLUE         | 16*      | 16        | M3.5[#6] | $3.683 \pm 0.076[.145 \pm .003]$ | 100      | LOOSE PIECE, BOX | 6-51864-1 |
| 5 -                    | GREEN        | 14*      | 14        | M4[#8]   | $4.343 \pm 0.076[.171 \pm .003]$ | 5000     | ON TAPE, REEL    | 1-51864-7 |
| 5 -                    | GREEN        | 14*      | 14        | [#10]    | $5.004 \pm 0.076[.197 \pm .003]$ | 5000     | ON TAPE, REEL    | 1-51864-5 |
| 5 -                    | BLUE         | 16*      | 16        | [#10]    | $5.004 \pm 0.076[.197 \pm .003]$ | 5000     | ON TAPE, REEL    | 1-51864-3 |
| 5 M7928/1-50 CLASS 1   | GREEN        | 14*      | 14        | M4[#8]   | $4.343 \pm 0.076[.171 \pm .003]$ | 1000     | LOOSE PIECE      | 1-51864-1 |
| 5 M7928/1-41 CLASS 1   | BLUE         | 16*      | 16        | M4[#8]   | $4.343 \pm 0.076[.171 \pm .003]$ | 1000     | LOOSE PIECE      | 1-51864-0 |
| 5 M7928/1-51 CLASS 1   | GREEN        | 14*      | 14        | [#10]    | $5.004 \pm 0.076[.197 \pm .003]$ | 1000     | LOOSE PIECE      | 51864-9   |
| 5 M7928/1-49 CLASS 1   | GREEN        | 14*      | 14        | M3.5[#6] | $3.683 \pm 0.076[.145 \pm .003]$ | 1000     | LOOSE PIECE      | 51864-8   |
| 5 M7928/1-42 CLASS 1   | BLUE         | 16*      | 16        | [#10]    | $5.004 \pm 0.076[.197 \pm .003]$ | 1000     | LOOSE PIECE      | 51864-7   |
| 5 M7928/1-40 CLASS 1   | BLUE         | 16*      | 16        | M3.5[#6] | $3.683 \pm 0.076[.145 \pm .003]$ | 1000     | LOOSE PIECE      | 51864-6   |

|  |  |   |   |   |                              |   |         |                 |                         |              |
|--|--|---|---|---|------------------------------|---|---------|-----------------|-------------------------|--------------|
| AMP INCORPORATED<br>CUSTOMER SERVICE SYSTEMS                                     |  | MAX RECOMMENDED OPERATING TEMPERATURE: 105°C[221°F] MAX | THIS DRAWING IS A CONTROLLED DOCUMENT.                          |   | DWN JR RUTH 27OCT99          | TE Connectivity<br>NAME: TERMINAL, RING TONGUE, I.R., PIDG™, WIRE SIZE, 16 & 14 AWG |         |                 |                         |              |
| FOR ADDITIONAL PRODUCT INFORMATION OR COPIES OF DRAWINGS AND TECHNICAL DOCUMENTS | PRODUCT INFORMATION CENTER<br>1-800-522-6752 | VOLTAGE RATING: 300 V MAX                               | DIMENSIONS: mm [INCHES]   | TOLERANCES UNLESS OTHERWISE SPECIFIED:  | CHK RE HERSEY 27OCT99        |   |         |                 | APVD C PRESNELL 27OCT99 | PRODUCT SPEC |
| FOR APPLICATION TOOLING INFORMATION  | TOOLING ASSISTANCE CENTER<br>1-800-722-1111  | WIRE RANGE: 16, 14                                      | CIRC MIL AREA: 1.42mm² [2800], 2.15mm² [4234]                   | 0 PLC ± -<br>1 PLC ± -<br>2 PLC ± -<br>3 PLC ± 0.127[.005]<br>4 PLC ± -<br>ANGLES ± - | APPLICATION SPEC<br>114-2157 | WEIGHT -  | SIZE A3 | CAGE CODE 00779 | DRAWING NO C-51864      |              |
| FOR ORDER ENTRY  | 1-800-526-5142                               | STRANDED  | MATERIAL BODY & SLEEVE: COPPER PER ASTM B-152 INSULATION: NYLON | FINISH BODY & SLEEVE: TIN PLATE PER ASTM B545 INSULATION: COLOR-BLUE                  | CUSTOMER DRAWING             |   |         | SCALE NTS       | SHEET 2 OF 2            | REV AC5      |

# Mouser Electronics

Authorized Distributor

Click to View Pricing, Inventory, Delivery & Lifecycle Information:

[TE Connectivity:](#)

[1-51864-0](#) [M7928/1-41](#)