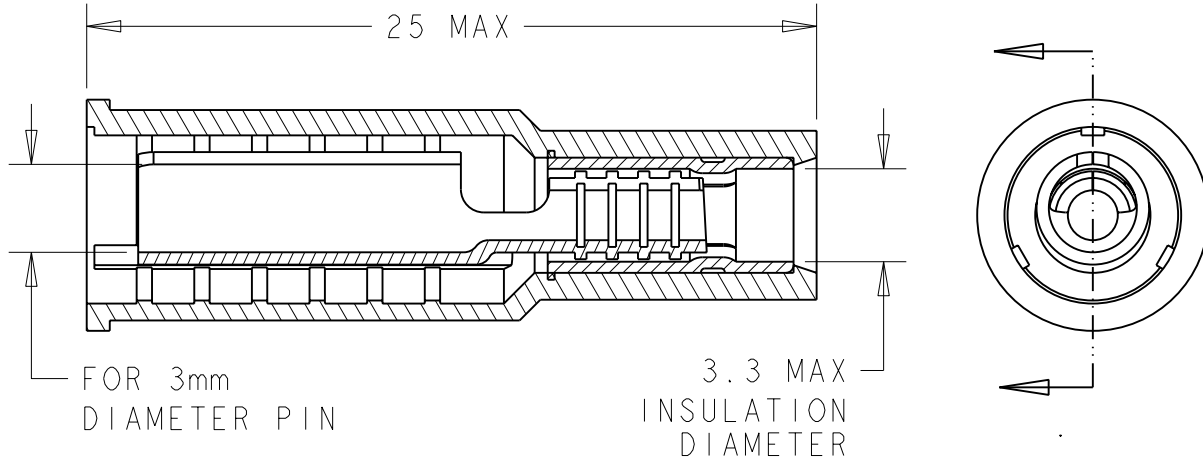
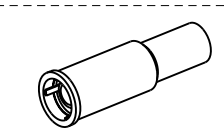


LOC	DIST	REVISIONS					
		P	LTR	DESCRIPTION	DATE	DWN	APVD
-	-		A	AJOUTE 141456-2	11/1/84	GR	GR
			B	REDRAWN IN CAD	19/10/07	NH	GR



OBSOLETE	141456-2	BLACK
	141456-1	RED
	TE PN	COLOUR



SCALE 1:1  
141456-1  
AS SHOWN

RELEASED FOR PUBLICATION

BY TYCO ELECTRONICS CORPORATION. ALL RIGHTS RESERVED.

© COPYRIGHT

DIMENSIONS: mm	DWN NIRANJAN HEGDE 19OCT2007	MATERIAL	-	FINISH	-
	CHK SHIVAPRAKASH K R 19OCT2007	Tyco Electronics France, SAS 95300 Pontoise, France			
TOLERANCES UNLESS OTHERWISE SPECIFIED:	APVD ROBERT GERARD 19OCT2007				
0 PLC ± -	PRODUCT SPEC	NAME DOUILLE ISOLEE POUR BROCHE DE 3 mm			
1 PLC ± -	APPLICATION SPEC	SIZE	CAGE CODE	DRAWING NO	RESTRICTED TO
2 PLC ± -		A 4	-	C-141456	-
3 PLC ± -	WEIGHT	CUSTOMER DRAWING			
4 PLC ± -		SCALE	4:1	SHEET	1 OF 1
ANGLES ± -				REV	B

# Mouser Electronics

Authorized Distributor

Click to View Pricing, Inventory, Delivery & Lifecycle Information:

[TE Connectivity:](#)

[141456-1](#)