



T2212-Printer

TE Internal #: 1-2186329-1

Printer Accessories, Spare, Compatible Printers T2212-PRINTER / T200-PRINTER, T2212-Printer

[View on TE.com >](#)

Identification & Labeling > Printers, Software & Accessories > Printer Accessories



Printer Accessory Type: **Spare**

Compatible Printers: **T200-PRINTER, T2212-PRINTER**

Features

Product Type Features

Printer Accessory Type	Spare
------------------------	-------

Operation/Application

Compatible Printers	T200-PRINTER, T2212-PRINTER
---------------------	-----------------------------

Product Compliance

[For compliance documentation, visit the product page on TE.com>](#)

EU RoHS Directive 2011/65/EU	Compliant
EU ELV Directive 2000/53/EC	Compliant
China RoHS 2 Directive MIIT Order No 32, 2016	No Restricted Materials Above Threshold
EU REACH Regulation (EC) No. 1907/2006	Current ECHA Candidate List: JAN 2023 (233) Candidate List Declared Against: JUNE 2022 (224) Does not contain REACH SVHC
Halogen Content	Low Halogen - Br, Cl, F, I < 900 ppm per homogenous material. Also BFR/CFR/PVC Free
Solder Process Capability	Not applicable for solder process capability

Product Compliance Disclaimer

This information is provided based on reasonable inquiry of our suppliers and represents our current actual knowledge based on the information they provided. This information is subject to change. The part numbers that TE has identified as EU RoHS compliant have a maximum concentration of 0.1% by weight in homogenous materials for lead, hexavalent chromium, mercury, PBB, PBDE, DBP, BBP, DEHP, DIBP, and 0.01% for cadmium, or qualify for an exemption to these limits as defined in the Annexes of Directive 2011/65/EU (RoHS2). Finished electrical and electronic equipment products will be CE marked as required by Directive 2011/65/EU. Components may not be CE marked. Additionally, the part

numbers that TE has identified as EU ELV compliant have a maximum concentration of 0.1% by weight in homogenous materials for lead, hexavalent chromium, and mercury, and 0.01% for cadmium, or qualify for an exemption to these limits as defined in the Annexes of Directive 2000/53/EC (ELV). Regarding the REACH Regulation, the information TE provides on SVHC in articles for this part number is based on the latest European Chemicals Agency (ECHA) 'Guidance on requirements for substances in articles' posted at this URL: <https://echa.europa.eu/guidance-documents/guidance-on-reach>

Compatible Parts

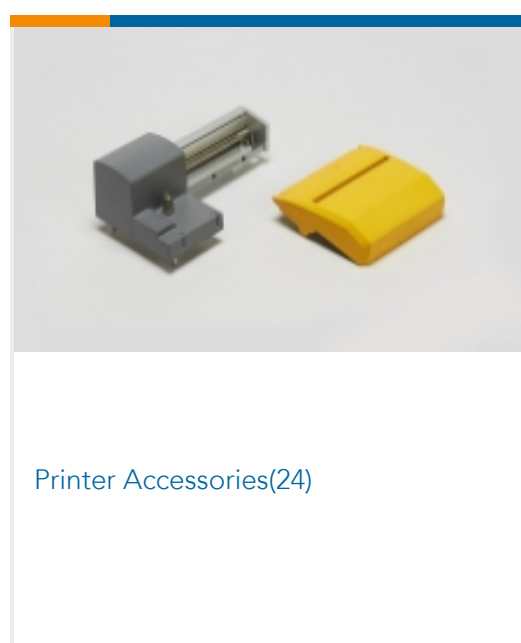


TE Part # 1-2186527-1
T2212-PRINTER



TE Part # 1-2186528-1
T2212-SWARE-PRINTER

Also in the Series | T2212-Printer



Printer Accessories(24)



Printers(3)

Customers Also Bought



TE Part #DT04-2P
REC, 2P, GRY, N



TE Part #W2S
Wedgelocks: DEUTSCH DT



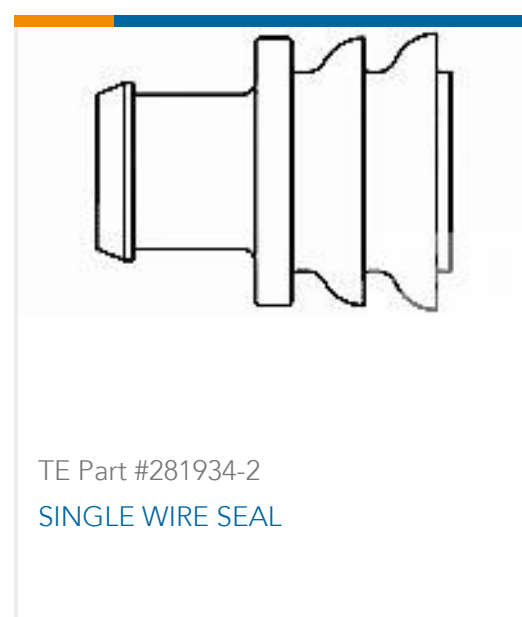
TE Part #0462-201-16141
DEUTSCH Solid Contacts



TE Part #282104-1
AMP SUPERSEAL 1.5MM,
CONNECTOR HOUSING



TE Part #DT06-2S
PLG, 2P, GRY, N



TE Part #281934-2
SINGLE WIRE SEAL



TE Part #114017-ZZ
SEALING PLUG, SIZE 12/16, WHT



Documents

CAD Files

3D PDF

3D

Customer View Model

[ENG_CVM_CVM_1-2186329-1_A.2d_dxf.zip](#)

English

Customer View Model

[ENG_CVM_CVM_1-2186329-1_A.3d_igs.zip](#)

English

Customer View Model

[ENG_CVM_CVM_1-2186329-1_A.3d_stp.zip](#)

English

By downloading the CAD file I accept and agree to the [Terms and Conditions](#) of use.

Datasheets & Catalog Pages

T2212 printer

English

Product Specifications

T2212 Printer Illustrated Parts List

English

Instruction Sheets

T200 Ident Printer Illustrated Parts List

English

Agency Approvals

Agency Approval Document

English