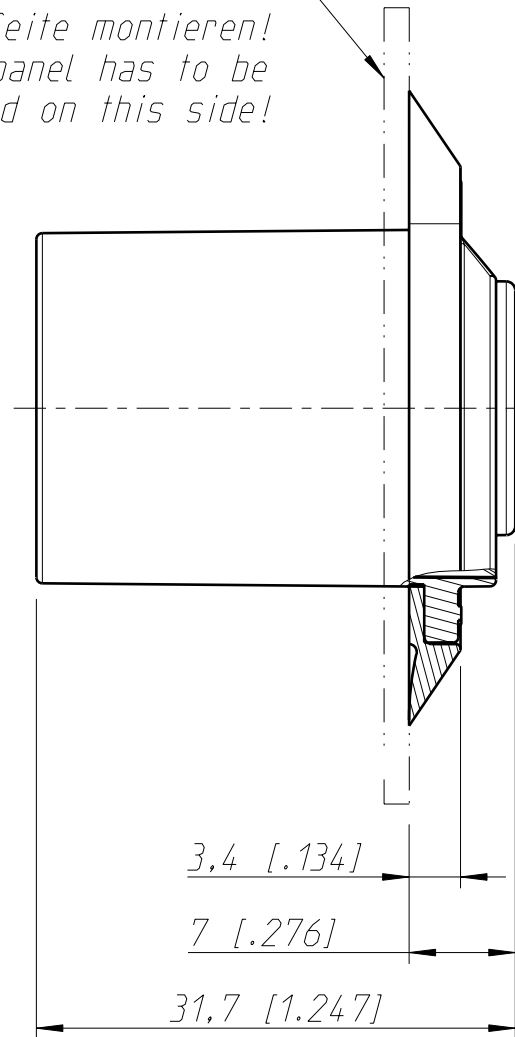


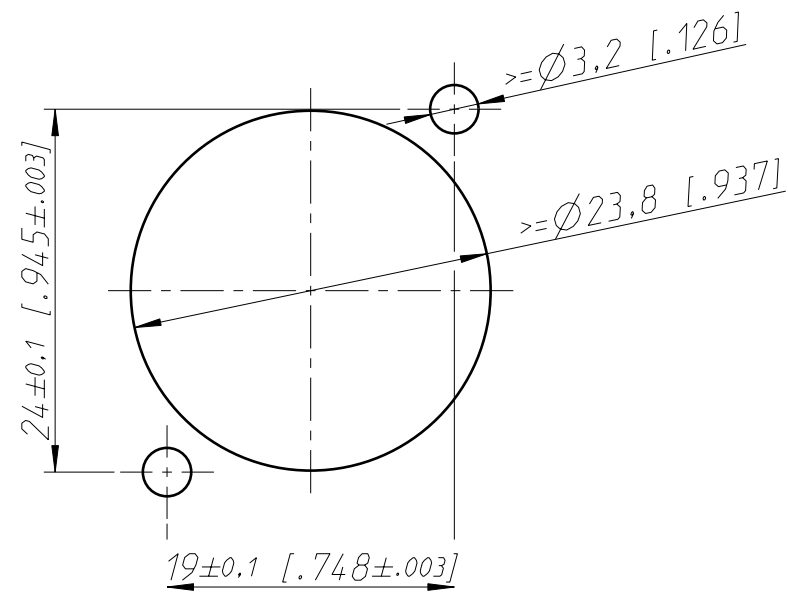
ACHTUNG: Frontplatte auf dieser Seite montieren!
 ATTENTION: Front panel has to be mounted on this side!



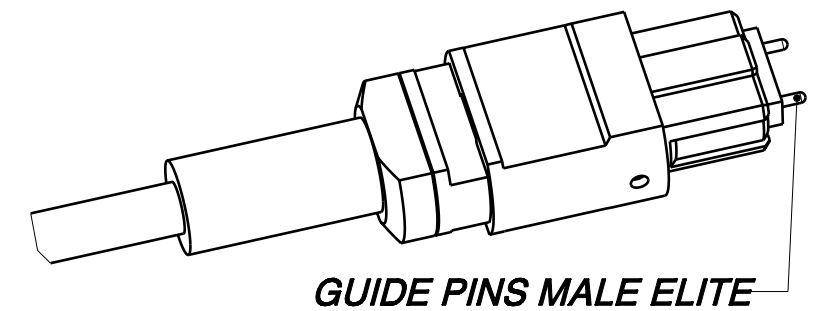
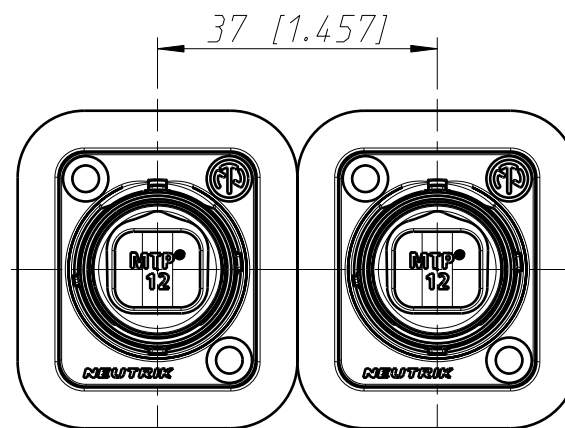
Patchkabel Konfiguration (Rückseite)
 - Ferrule MTP STANDARD oder ELITE
 - MALE Führungsstifte ELITE
 - Nur original US CONEC Teile verwenden!

Patch cable configuration (rear side)
 - Ferrule MTP STANDARD or ELITE
 - MALE guide pins ELITE
 - Only use original US CONEC parts!

Frontplattenausschnitt (Rückseite)
 Panel cutout (rear side)



min. Einbauabstand
 min. assembling distance



General tolerances ISO 2768-m	Scale	Date	Name
Refer to protection notice ISO 16016.	2:1 (A3)	16.11.12	Koch
Name	opticalCON MTP NO12FDW-A	Modified	02.03.17 Koch
		Change-No.	Sheet-No. 1 / 1 Index -
Replacement for:		Drawing-No. ST-NO12FDW-A	
NEUTRIK			

Mouser Electronics

Authorized Distributor

Click to View Pricing, Inventory, Delivery & Lifecycle Information:

[Neutrik:](#)

[NO12FDW-A](#)