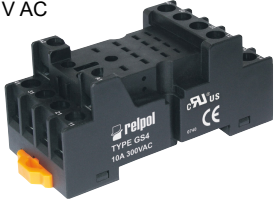


Plug-in sockets and accessories

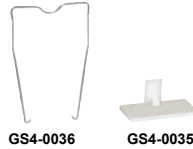
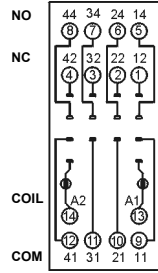
GS4

For R4N

Screw terminals
 Max. tightening moment
 for the terminal: 0,7 Nm
 35 mm rail mount
 acc. to PN-EN 60715
 or on panel mounting
 67 x 30,8 x 30 (~63,7) mm ^⑦
 Four poles
 6 A, 300 V AC

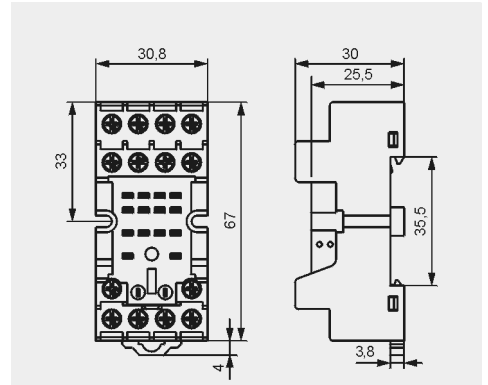


Connection diagram



Accessories

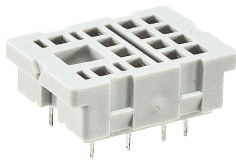
Dimensions



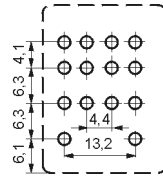
SU4D

For R4N

For PCB
 29,6 x 21,5 x 11 mm
 Four poles
 6 A, 250 V AC



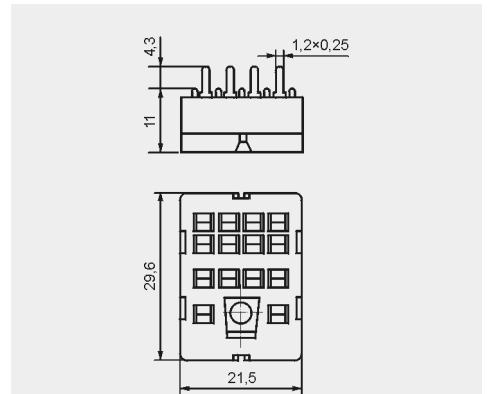
Pinout



Accessories

G4 1053

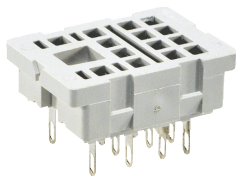
Dimensions



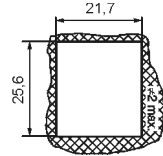
SU4L

For R4N

Solder terminals
 29,6 x 21,5 x 18,1 mm
 Four poles
 6 A, 250 V AC



Dimensions of opening on panel mounting



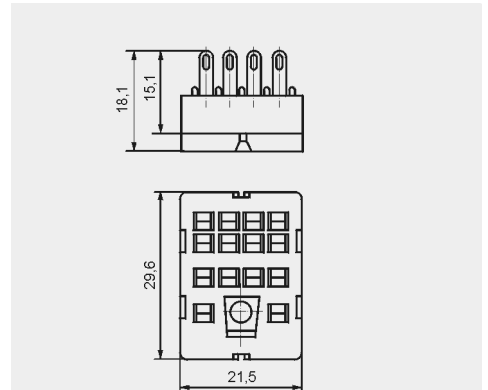
Accessories

G4 1053



G4 1040

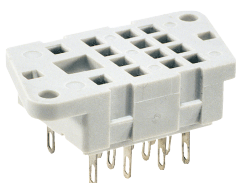
Dimensions



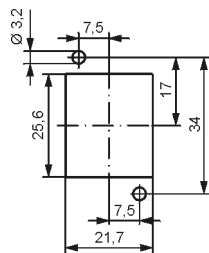
G4

For R4N

Solder terminals
 40,5 x 21,5 x 18,1 mm
 Four poles
 6 A, 250 V AC



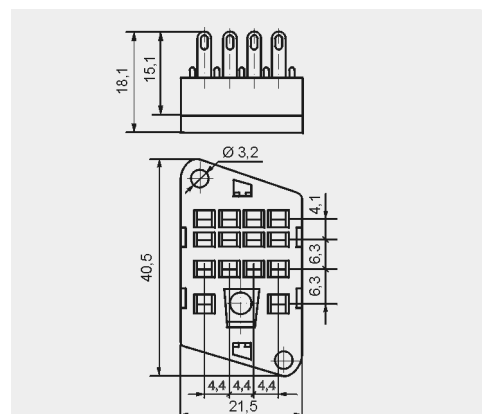
Pinout of openings on panel mounting



Accessories

G4 1053

Dimensions



^⑦ In the bracket the height of socket with spring wire clip is shown.