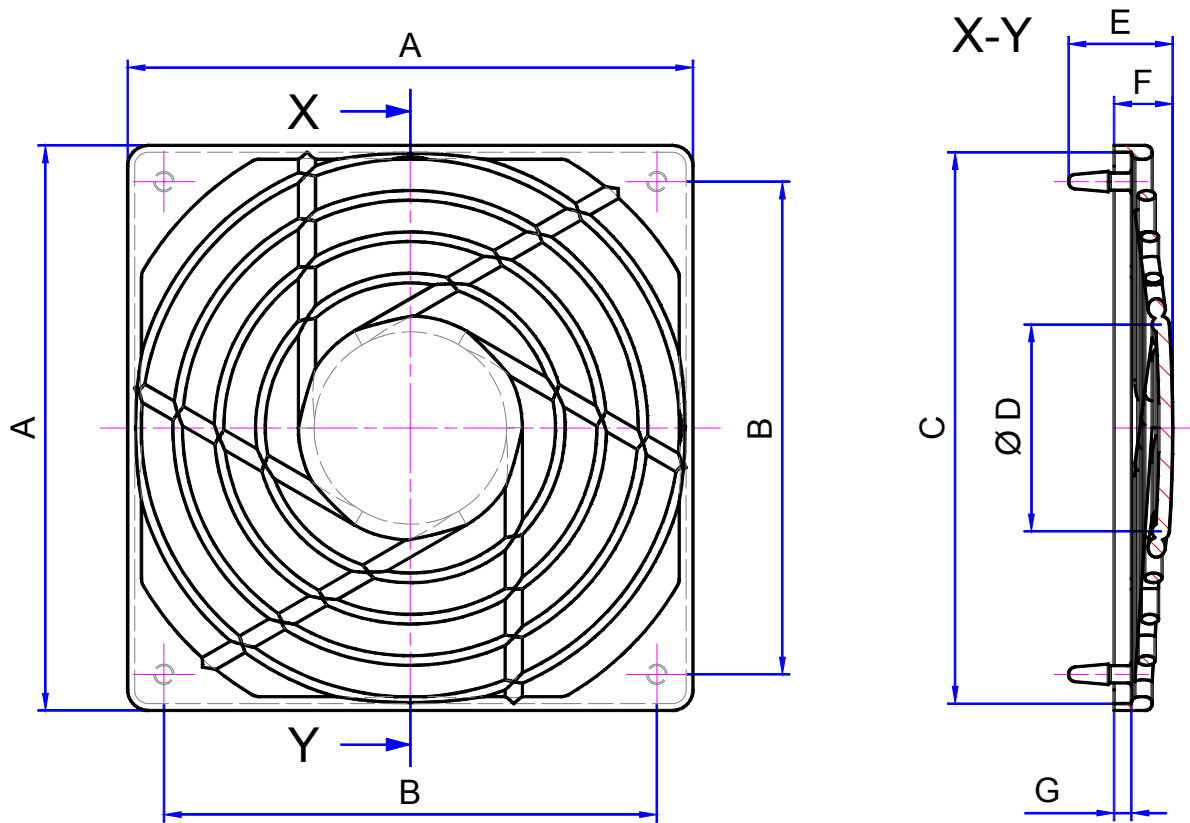


# Plastic Fan Guards for QLM Sleeves



**Material:** Plastic  
**Color:** Black  
**Fire Resistance:** UL94-V0  
**Equal Guideline:** 2002/95/EG (RoHS Compliant)



Ordering Information: **QSG** **40** **02**

Series      Fan Size      Type

Type 02 = See dimension "A". Panel hole layout hidden.

| Part Number       | A<br>Inch / mm | B<br>Inch / mm | C<br>Inch / mm | D<br>Inch / mm | E<br>Inch / mm | F<br>Inch / mm | G<br>Inch / mm |
|-------------------|----------------|----------------|----------------|----------------|----------------|----------------|----------------|
| <b>QSG-40-02</b>  | 1.811 / 46.0   | 1.260 / 32.0   | 1.575 / 40.0   | .709 / 18.0    | .496 / 12.6    | .295 / 7.5     | .098 / 2.5     |
| <b>QSG-60-02</b>  | 2.598 / 66.0   | 1.969 / 50.0   | 2.362 / 60.0   | 1.063 / 27.0   | .594 / 15.1    | .335 / 8.5     | .098 / 2.5     |
| <b>QSG-80-02</b>  | 3.503 / 89.0   | 2.815 / 71.5   | 3.150 / 80.0   | 1.181 / 30.0   | .594 / 15.1    | .335 / 8.5     | .098 / 2.5     |
| <b>QSG-92-02</b>  | 3.976 / 101.0  | 3.248 / 82.5   | 3.622 / 92.0   | 1.181 / 30.0   | .594 / 15.1    | .335 / 8.5     | .098 / 2.5     |
| <b>QSG-119-02</b> | 5.039 / 128.0  | 4.133 / 105.0  | 4.685 / 119.0  | 1.654 / 42.0   | .654 / 16.6    | .354 / 9.0     | .118 / 3.0     |

7610 Jenther Drive,  
Mentor, OH 44060  
Phone: 1-440-951-3300  
Fax: 1-440-951-7252

**Qualtek** Electronics Corporation

E-Mail: mailbox@qualtekusa.com  
Web: www.qualtekusa.com

# Mouser Electronics

Authorized Distributor

Click to View Pricing, Inventory, Delivery & Lifecycle Information:

[Qualtek:](#)

[QSG-119-01](#) [QSG-92-01](#)