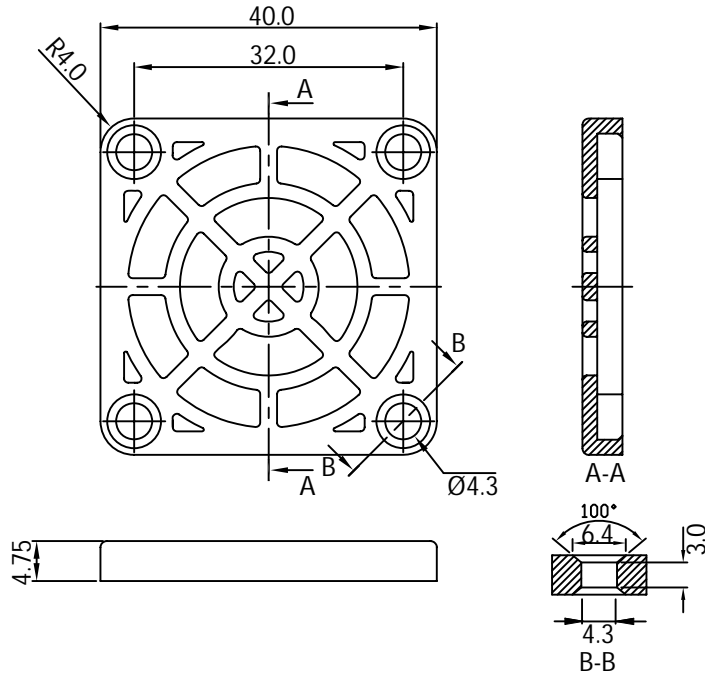


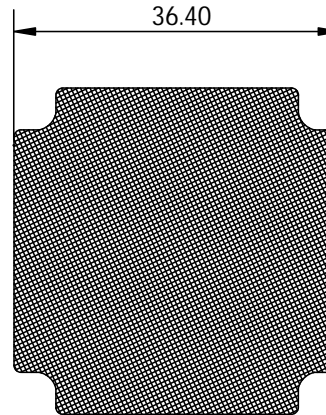
THESE DRAWINGS ARE THE PROPERTY OF QUALTEK ELECTRONICS AND NOT TO BE REPRODUCED FOR OR COMMUNICATED TO A THIRD PARTY WITHOUT THE EXPRESS WRITTEN PERMISSION OF AN OFFICER OF QUALTEK ELECTRONICS.

| REVISION | | | |
|----------|------------------|----------|----------|
| REV. | DESCRIPTION | DATE | APPROVED |
| B | RoHS Compliancy | 06-01-06 | DP |
| C | Updated Graphics | 01-13-10 | LY |

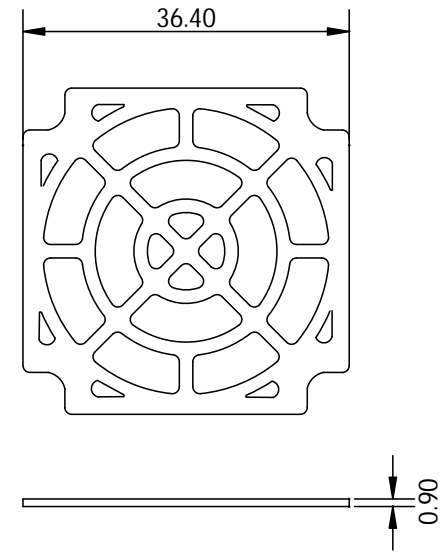
FAN GUARD



MEDIA



RETAINER



NOTES:

MEDIA* AVAILABLE IN:

XX=30 PPI **

45 PPI **

60 PPI **

100 PPI **

* UL 900 CLASS II

** Pores Per Inch

RoHS COMPLIANT

CONTROLLED

| Dim range (mm) | Tolerance +/- (mm) | Qualtek Electronics Corp. FAN-S DIVISION | | |
|----------------|--------------------|---|--|-----------------|
| 0-5 | 0.4 | Part Number: 09150-F/XX | | |
| 5-16 | 0.45 | Description: PLASTIC FAN FILTER ASSEMBLY | | |
| 16-64 | 0.5 | UNIT: mm | | REV: C |
| 64-250 | 0.5 | Checked / Date | | Approved / Date |
| 250-1000 | 0.5 | B. ZHANG 10-17-03 | | JJH / 10-17-03 |
| 1000-1500 | 1.0 | 10-17-03 | | |

Mouser Electronics

Authorized Distributor

Click to View Pricing, Inventory, Delivery & Lifecycle Information:

[Qualtek:](#)

[09150-F/45](#) [09150-F/30](#) [09150-F/60](#) [09150-F/100](#)