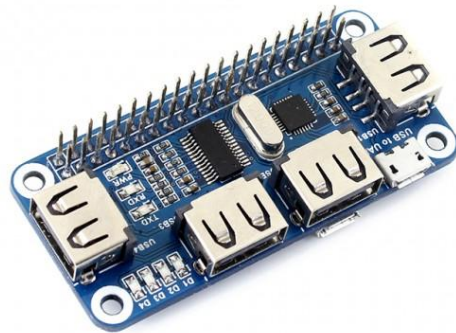


4 Port USB HUB HAT for Raspberry Pi

SKU: 12694

Part Number: USB HUB HAT

Brand: Waveshare



4 Port USB HUB HAT for Raspberry Pi, USB to UART Onboard

Overview

This is a 4 port USB hub for Raspberry Pi, provides more USB capability to your Pi, what's more, it features USB to UART converter for easy serial communication.

It can work with various versions of the Pi, and the size of the board is designed to perfectly fit the Zero / Zero W.

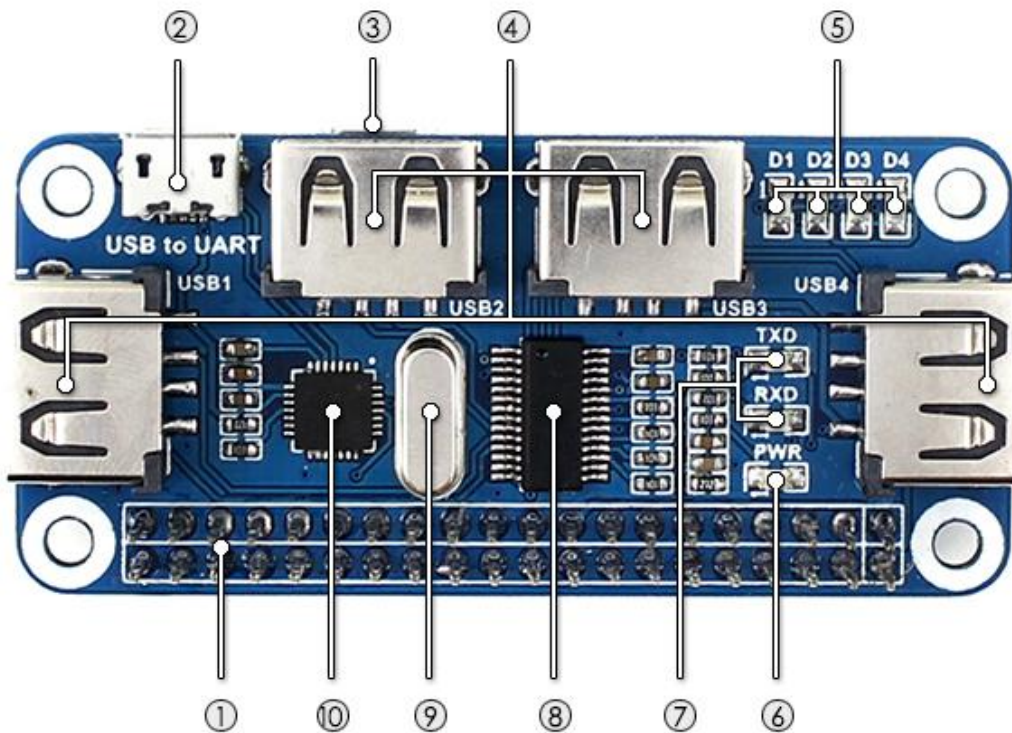
Features

- 4 USB Ports, compatible with USB2.0/1.1
- Onboard USB to UART, convenient for Raspberry Pi serial debugging
- Onboard multi indicators, for monitoring the status of power, USB to UART, and each USB port

Specifications

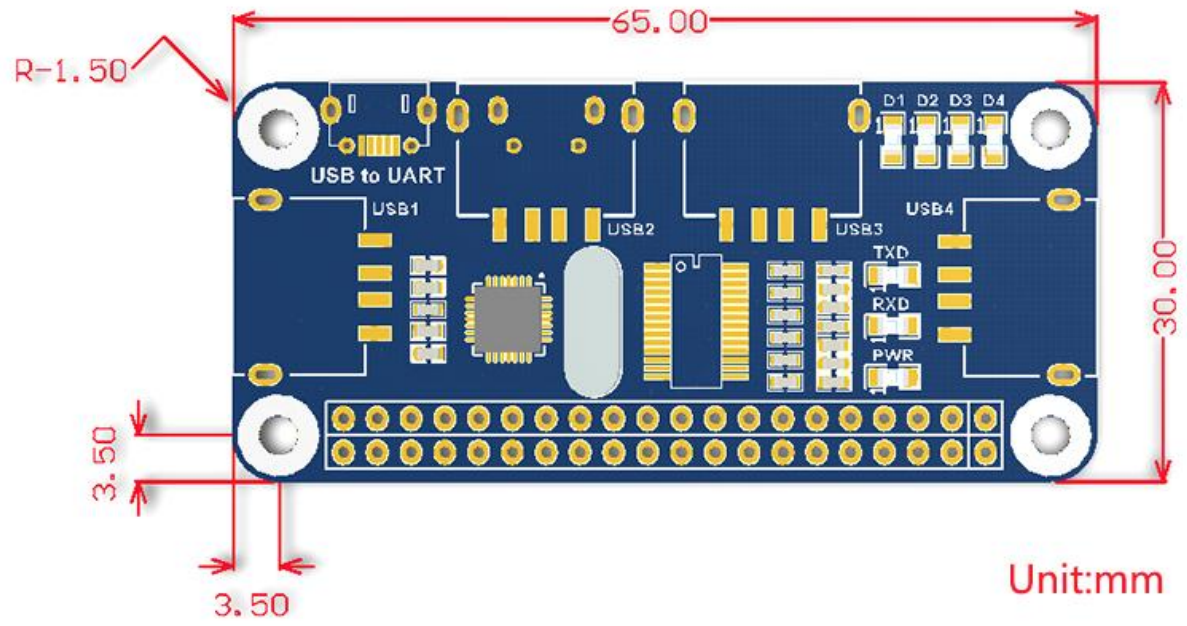
- Operating voltage: 5V
- Dimension: 65mm × 30mm
- Mounting hole size: 3.0mm

What's on Board



1. Raspberry Pi GPIO interface: for connecting Raspberry Pi
2. USB to UART: for controlling the Raspberry Pi via serial terminal
3. USB HUB interface (bottom): for connecting the HUB to the Raspberry Pi USB port
 - Raspberry Pi Zero / Zero W: connected via [Micro USB connector](#)
 - Raspberry Pi B+ / 2B / 3B: connected via [Micro USB cable](#)
4. USB extended ports: USB1~USB4
5. USB port indicators: dedicated indicator for each USB port, D1~D4 for USB1~USB4 respectively
6. Power indicator
7. USB to UART indicator
8. FE1.1S: USB HUB chip
9. 12MHz crystal
10. CP2102: USB to UART converter

Dimensions



Development Resources

Wiki : www.waveshare.com/wiki/USB_HUB_HAT